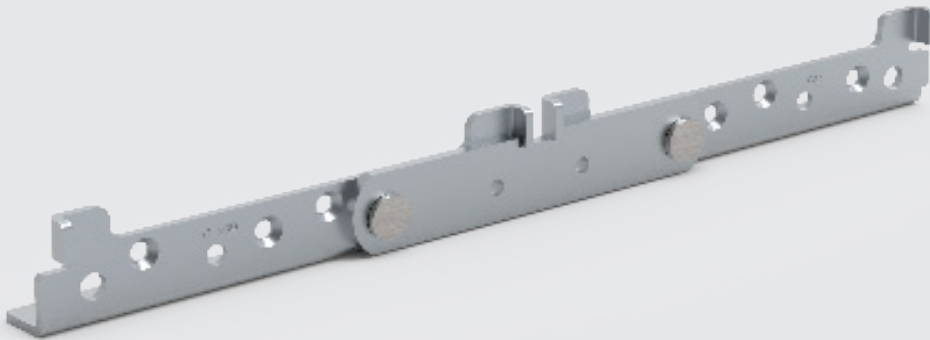


Makes slatted bed frames functional and space-saving

Folding hinge

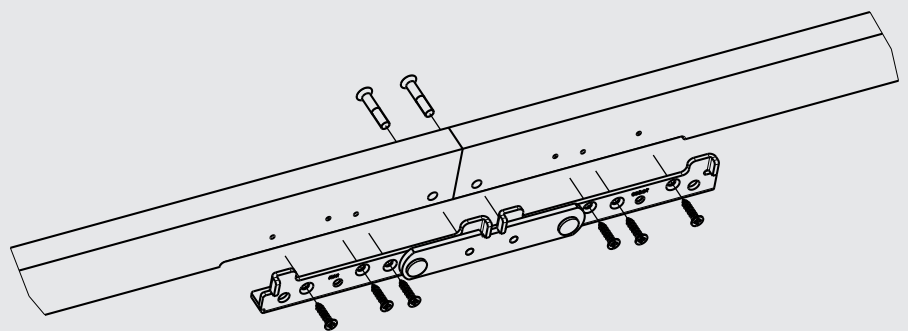


Can be folded in order to save space

- ▶ The folding hinge permits the folding of slatted bed frames up to a recommended width of 1000 mm.
- ▶ Important saving of transport costs: When the bed frame is dispatched by post, about 70 % of the transport costs that usually occur for the transport by freight forwarder can be saved. Possible parcel sizes: length 1100 x width 1000 x height 180 mm.
- ▶ Quick and easy assembly of the 2 bed frame halves without any major assembly work.
- ▶ The folding hinge is factory assembled by the manufacturer of the slatted bed frame. The end user only needs to unfold the bed base, block the hinges, and that's it.
- ▶ Suitable for all types of slatted bed frames, whether non-adjustable, manually adjustable or motorised.

Technical details at one look

- ▶ Tested according to DIN EN 1725
- ▶ The folding hinge has a high load-bearing capacity. There is no need to install any additional supports or wooden strips in the bed frame.
- ▶ The hinge in the unfolded condition needs to be screwed on by means of two safety screws (countersunk head) M6 x 30 mm in order to achieve the required stability and safety.
- ▶ The folding hinge is universal and can be used on the left and right hand sides.
- ▶ The wooden rails of the slatted bed frame do not need to be cut out.



We recommend fixing each folding hinge on the outer rail (subject to a thickness of 20 mm) by means of 3 wood screws (M4.5 x 20 mm) and additionally by 2 countersunk screws M6x30 mm.

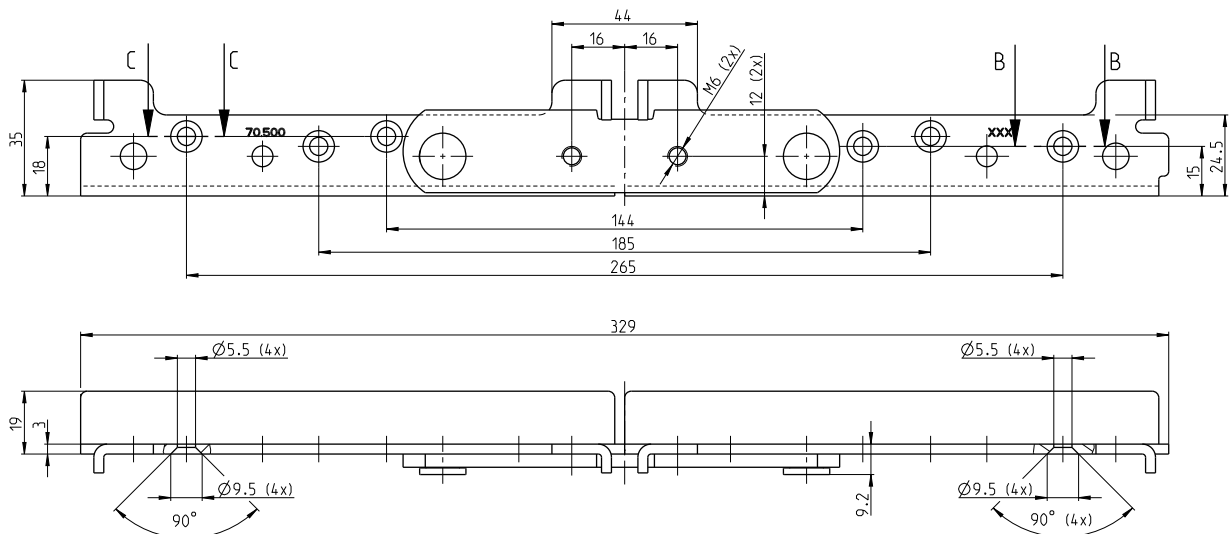
Folding hinge for slatted bed frames

- ▶ Slatted bed frame with folding hinge
- ▶ Drawing

Slatted bed frame with folding hinge



Drawing



	Ref.No.	Packing Unit
Folding hinge	1.70.500.00.05	40 pcs

Technical information is available upon request.