



German quality you can trust



Sliding & Folding Systems

Create more room in the room

effective June 2022

Master Catalogue



Sliding Folding
Design Idea Book





Hettich Forum at Kirchlengern, Germany



Hettich Manufacturing Plant at Vadodara, India



Hettich Manufacturing Plant at Indore, India

The company's origins date back to 1888, when Karl Hettich began making the new clock component he had invented. By 1930, his descendants had diversified into furniture fittings, setting up production in East Westphalia – a centre of the German furniture industry. Today, Hettich, still family owned, has become an industry leader with a worldwide reputation.

We're one of the world's largest manufacturers of high-quality furniture fittings, with over 6,700 employees in more than 100 countries. The company's success has been built on four enduring values: quality, innovation, close cooperation with customers and absolute reliability.

We work to inspire our customers with our ideas and our passion.



Warranty

For Warranty please refer to website.
www.hettich.com/in

* Refer Website



FREE 

Design Services
incl. bill of qty.

Free Design Services

Looking for designs to liven up your Living Room, Bedroom, Bathroom or Kitchen? A dedicated team of highly qualified Interior Designers are at service to provide customized design solutions to suit individual tastes and budgets, completely free of cost.

Free Consultation at Doorsteps

Looking for perfect Furniture Fitting solutions? A dedicated team of highly qualified professional will provide expert solutions to suit your need and budget right at your doorstep, completely free of cost.

Hettich Customer Care Service

In today's fast paced and technologically advanced era, most of the organizations succumb to the pressure of staying ahead of the competition and often end up neglecting the most critical aspect of business i.e. customers. Hettich, being a customer-centric organisation, is very sensitive towards this. Hence, we constantly endeavour to provide the best quality driven products and services and be ever-responsive to customer needs and feedbacks.

For Enquiry & Customer Services

Toll Free : 1800 209 2096 (office hours)
 Email: sales_enquiry@in.hettich.com
customer_services@in.hettich.com
www.hettich.com

I N D E X

Top Running Sliding Door Systems	
TopLine XL K2	6-7
TopLine L	8-11
TopLine 1	12-13
SysLine S	14-15
TopLine 110	16-17
Bottom Running Sliding Door Systems	
Grant 400 Neo	20-23
SlideLine 16	24-25
SlideLine M Overlay	26-27
SlideLine M Inset	28-29
SlideLine 56	30-31
SlideLine 55	32-33
SlideLine 97	34-35
Sliding & Folding Door Systems	
WingLine L	38-39
WingLine S	40-41
WingLine 230	42-43
Wing 77	44-45
WingLine 170	46-47
Special Sliding Door Systems	
Vertico Synchro	50-51
Vertico Mono	52-53
KA 5740 (Pocket Sliding System)	54-55

Room Divider Sliding Door Systems	
Grant XHD	58-59
Grant HD	60-61
Grant SD	62-63
Grant 1230	64-65
Grant 1260	66-67
TopLine 120 SiSy	68-69
TopLine 80 SiSy	70-71
TopLine 80	72-73
Wardrobe Accessories	
Door Straightener	76
Shutter Handles	77
Aluminium Profiles for Shutters	78-80
Door Profiles	81-82
Brush Strips	83
Lock Solutions	83-84
LED Lights	84-85
Concealed Hinges	86
Wardrobe Interior Accessories	
Telescopic Drawer Runner	89
Quadro Drawer Runner	90
InnoTech Drawer System	91
Garment Lift	92
Wardrobe Tube & Wardrobe Tube Support	92
Coat Hanger Holder	92
Cargo Pull Out Shoe Rack (Vertical/Horizontal)	93
Pull Out Shelf	93
Cargo Trouser Pull Out / M	94
Cargo Tie & Belt Pull Out / M	94-95
Cargo Wall Shoe Rack (M)	95
Cargo Laundry	95
SmarTray	96-97



Running true

Hettich fittings for top running sliding doors create elegant frontage solutions. In the bedroom & living room, sliding doors make the most of storage space. Unobstructed access, doors do not intrude into the room when they are open. Moving easily and quietly, doors close gently with silent system.



TopLine L



TopLine XL K2



TopLine M



SysLine S



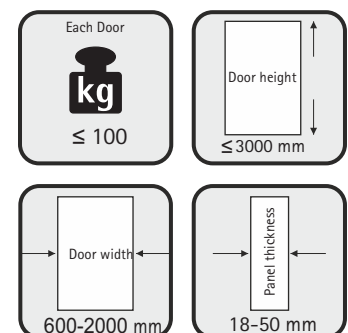
Luxury like never before Next generation sliding system for large wardrobes: **TopLine XL K2**

■ Unique Features:

- Ease of assembly kit for wooden doors
- Silent system works perfectly from door weight of up to 100 kgs
- Built-in height adjustment

■ Applications:

- Suitable for 2, 3 & 4 door wardrobes in living room and bedroom
- Kitchen tall units

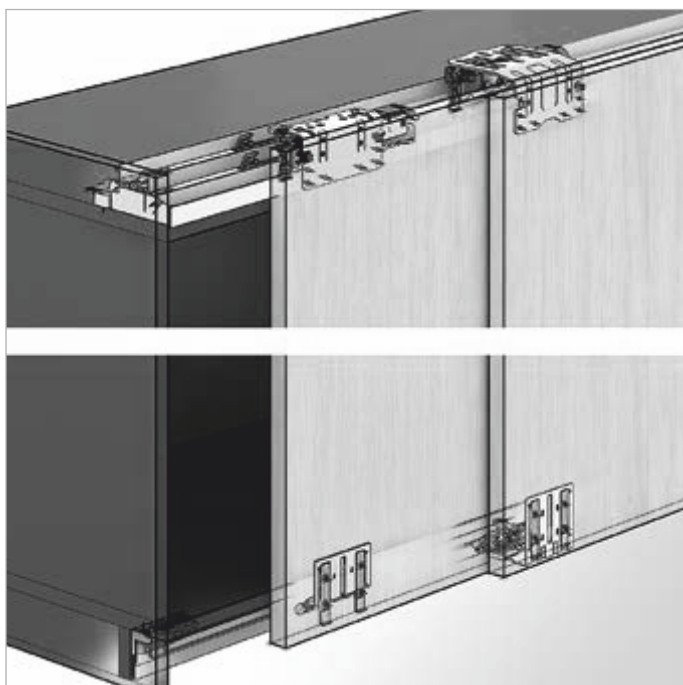


Top Running Sliding Door Systems

▶ TopLine XL K2



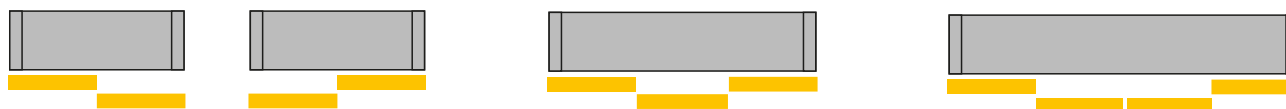
Operating principle



- ▶ Two track, top-running sliding door system
- ▶ Overlay door position
- ▶ For wooden doors
- ▶ Door weight up to 100 kg
- ▶ Door height up to 3000 mm
- ▶ Door width 600 - 2000 mm
- ▶ Door thicknesses 18-30, 22-30, 32-40
- ▶ Height adjustment +/- 3 mm, overlay adjustment +/-10 mm
- ▶ Individually finished running components
- ▶ Fast clip on assembly with minimum screwing of runner & guide components
- ▶ Tested to EN 15706, Level 3

Set contains fitting, silent system and runner & guide profile

Number of doors and door position



Set Description	Qty.	Unit	MRP
TopLine XL K2			
TopLine XL K2/ 2 Door/ 18-30 mm Thickness/ 60 kg/ With Silent System (Both soft closing & soft opening)	1	Set	49,230
TopLine XL K2/ 2 Door/ 22-30 mm Thickness/ 80 kg/ With Silent System (Both soft closing & soft opening)	1	Set	49,764
TopLine XL K2/ 2 Door/ 32-40 mm Thickness/ 100 kg/ With Silent System (Both soft closing & soft opening)	1	Set	51,009
TopLine XL K2/ 3 Door/ 18-30 mm Thickness/ 60 kg/ With Silent System (Both soft closing & soft opening)	1	Set	66,216
TopLine XL K2/ 3 Door/ 22-30 mm Thickness/ 80 kg/ With Silent System (Both soft closing & soft opening)	1	Set	66,750
TopLine XL K2/ 3 Door/ 32-40 mm Thickness/ 100 kg/ With Silent System (Both soft closing & soft opening)	1	Set	68,172
TopLine XL K2/ 4 Door/ 18-30 mm Thickness/ 60 kg/ With Silent System (Both soft closing & soft opening)	1	Set	86,428
TopLine XL K2/ 4 Door/ 22-30 mm Thickness/ 80 kg/ With Silent System (Both soft closing & soft opening)	1	Set	87,496

For more options, please refer to master catalogue or visit www.hettich.com

For sales enquires & ordering information please contact your nearest Hettich hardware dealer or call our toll-free no.: 1800 209 2096



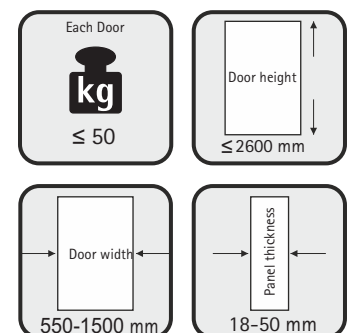
Comfort re-defined Sliding system for heavy wardrobe doors: **TopLine L**

■ Unique Features:

- Universal kit for wooden & aluminium framed door
- Multiple bottom options
- Built-in height adjustment

■ Applications:

- Suitable for wardrobes in living room and bedroom
- Kitchen tall units with 2 & 3 door systems

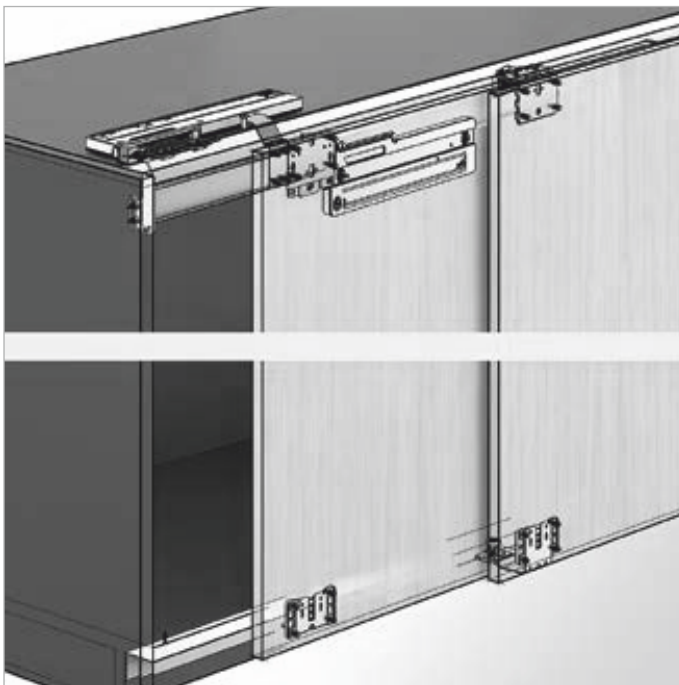


Top Running Sliding Door Systems

▶ TopLine L



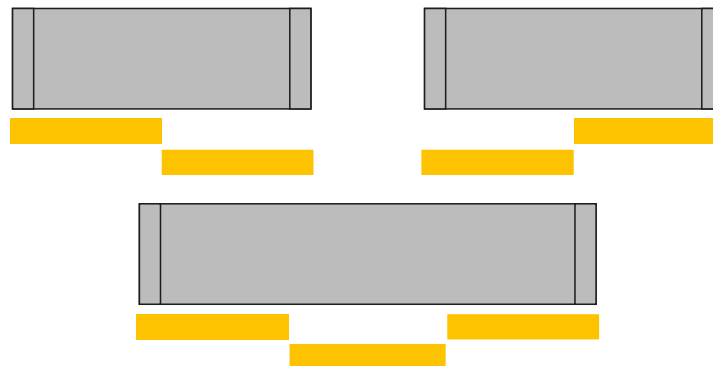
Operating principle



- ▶ Two track, top-running sliding door system
- ▶ Overlay door position
- ▶ For wooden doors or wood
- ▶ Door weight up to 50 kg
- ▶ Door height up to 2600 mm
- ▶ Door width 550 - 1500 mm for 2 door & 550-1350 mm for 3 door
- ▶ Door thicknesses 18-50 mm
- ▶ Height adjustment +/- 3 mm
- ▶ Individually finished running components
- ▶ Two opening versions: flush or offset when using projecting handles
- ▶ Fast assembly of guide components
- ▶ Tested to EN 15706, Level 3

Set contains fitting, silent system and runner & guide profile

Number of doors and door position



Set Description	Qty.	Unit	MRP
TopLine L (With STB 11 Regular)			
TopLine L/ 2 Door Right/ Wooden Door/ 18-30 mm Thickness/ 50 kg/ With Silent System (Soft closing)	1	Set	20,900
TopLine L/ 2 Door Left/ Wooden Door/ 18-30 mm Thickness/ 50 kg/ With Silent System (Soft closing)	1	Set	20,900
TopLine L/ 2 Door Right/ Wooden Door/ 35-50 mm Thickness/ 50 kg/ With Silent System (Soft closing)	1	Set	21,200
TopLine L/ 2 Door Left/ Wooden Door/ 35-50 mm Thickness/ 50 kg/ With Silent System (Soft closing)	1	Set	21,200
TopLine L/ 3 Door/ Wooden Door/ 18-30 mm Thickness/ 50 kg/ With Silent System (Soft closing)	1	Set	27,900
TopLine L/ 3 Door/ Wooden Door/ 35-50 mm Thickness/ 50 kg/ With Silent System (Soft closing)	1	Set	28,200
TopLine L/ 2 Door Right/ Alu Frame Door/ 18-30 mm Thickness/ 50 kg/ With Silent System (Soft closing) (Child code)	1	Set	23,830
TopLine L/ 2 Door Left/ Alu Frame Door/ 18-30 mm Thickness/ 50 kg/ With Silent System (Soft closing) (Child Code)	1	Set	23,830
TopLine L/ 3 Door/ Alu Frame Door/ 18-30 mm Thickness/ 50 kg/ With Silent System (Soft closing) (Child code)	1	Set	32,920
TopLine L/ 2 Door Right/ Alu Frame Door/ 18-30 mm Thickness/ 50 kg/ With Silent System (Soft closing) (BOM code)	1	Set	23,830
TopLine L/ 2 Door Left/ Alu Frame Door/ 18-30 mm Thickness/ 50 kg/ With Silent System (Soft closing) (BOM Code)	1	Set	23,830
TopLine L/ 3 Door/ Alu Frame Door/ 18-30 mm Thickness/ 50 kg/ With Silent System (Soft closing) (BOM code)	1	Set	32,920

For more options, please refer to master catalogue or visit www.hettich.com

For sales enquires & ordering information please contact your nearest Hettich hardware dealer or call our toll-free no.: 1800 209 2096

Top Running Sliding Door Systems

▶ TopLine L



Set Description	Qty.	Unit	MRP
TopLine L (With STB 11 Screw On)			
TopLine L/ 2 Door Right/ Wooden Door/ 18-30 mm Thickness/ 50 kg/ With Silent System (Soft closing)	1	Set	20,900
TopLine L/ 2 Door Left/ Wooden Door/ 18-30 mm Thickness/ 50 kg/ With Silent System (Soft closing)	1	Set	20,900
TopLine L/ 2 Door Right/ Wooden Door/ 35-50 mm Thickness/ 50 kg/ With Silent System (Soft closing)	1	Set	21,200
TopLine L/ 2 Door Left/ Wooden Door/ 35-50 mm Thickness/ 50 kg/ With Silent System (Soft closing)	1	Set	21,200
TopLine L/ 3 Door/ Wooden Door/ 18-30 mm Thickness/ 50 kg/ With Silent System (Soft closing)	1	Set	27,900
TopLine L/ 3 Door/ Wooden Door/ 35-50 mm Thickness/ 50 kg/ With Silent System (Soft closing)	1	Set	28,200
TopLine L/ 2 Door Right/ Alu Frame Door/ 18-30 mm Thickness/ 50 kg/ With Silent System (Soft closing) (Child code)	1	Set	23,830
TopLine L/ 2 Door Left/ Alu Frame Door/ 18-30 mm Thickness/ 50 kg/ With Silent System (Soft closing) (Child code)	1	Set	23,830
TopLine L/ 3 Door/ Alu Frame Door/ 18-30 mm Thickness/ 50 kg/ With Silent System (Soft closing) (Child code)	1	Set	32,920
TopLine L/ 2 Door Right/ Alu Frame Door/ 18-30 mm Thickness/ 50 kg/ With Silent System (Soft closing) (BOM Code)	1	Set	23,830
TopLine L/ 2 Door Left/ Alu Frame Door/ 18-30 mm Thickness/ 50 kg/ With Silent System (Soft closing) (BOM code)	1	Set	23,830
TopLine L/ 3 Door/ Alu Frame Door/ 18-30 mm Thickness/ 50 kg/ With Silent System (Soft closing) (BOM code)	1	Set	32,920

For more options, please refer to master catalogue or visit www.hettich.com

For sales enquires & ordering information please contact your nearest Hettich hardware dealer or call our toll-free no.: 1800 209 2096

Top Running Sliding Door Systems

▶ TopLine L



Set Description	Qty.	Unit	MRP
TopLine L (With STB 12 Screw Front)			
TopLine L/ 2 Door Right/ Wooden Door/ 18-30 mm Thickness/ 50 kg/ With Silent System (Soft closing)	1	Set	23,215
TopLine L/ 2 Door Left/ Wooden Door/ 18-30 mm Thickness/ 50 kg/ With Silent System (Soft closing)	1	Set	23,215
TopLine L/ 3 Door/ Wooden Door/ 18-30 mm Thickness/ 50 kg/ With Silent System (Soft closing)	1	Set	28,483
TopLine L/ 2 Door Right/ Alu Frame Door/ 18-30 mm Thickness/ 50 kg/ With Silent System (Soft closing) (Child code)	1	Set	26,145
TopLine L/ 2 Door Left/ Alu Frame Door/ 18-30 mm Thickness/ 50 kg/ With Silent System (Soft closing) (Child code)	1	Set	26,145
TopLine L/ 3 Door/ Alu Frame Door/ 18-30 mm Thickness/ 50 kg/ With Silent System (Soft closing) (Child code)	1	Set	35,503
TopLine L/ 2 Door Right/ Alu Frame Door/ 18-30 mm Thickness/ 50 kg/ With Silent System (Soft closing) (BOM code)	1	Set	26,145
TopLine L/ 2 Door Left/ Alu Frame Door/ 18-30 mm Thickness/ 50 kg/ With Silent System (Soft closing) (BOM code)	1	Set	26,145
TopLine L/ 3 Door/ Alu Frame Door/ 18-30 mm Thickness/ 50 kg/ With Silent System (Soft closing) (BOM code)	1	Set	35,503

For more options, please refer to master catalogue or visit www.hettich.com

For sales enquires & ordering information please contact your nearest Hettich hardware dealer or call our toll-free no.: 1800 209 2096



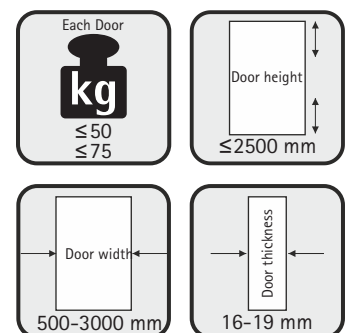
Time-tested & reliable Inset sliding system for heavy wardrobe doors: **TopLine 1**

■ Unique Feature:

- Can be fitted to any wardrobe under any condition

■ Application:

- Inset sliding solution for heavy door wardrobes

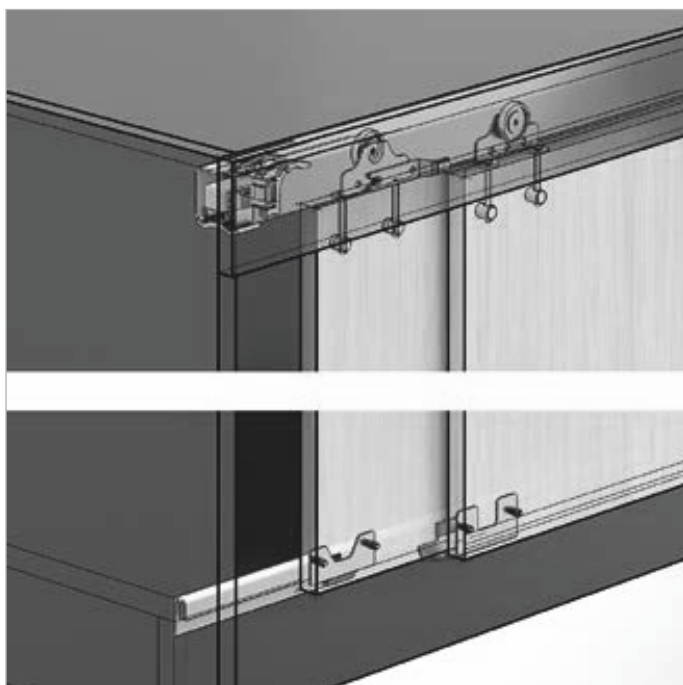


Top Running Sliding Door Systems

▶ TopLine 1



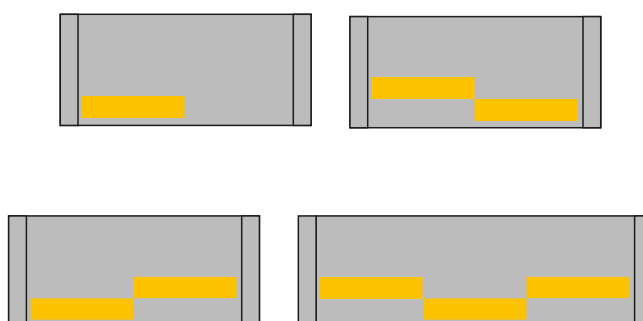
Operating principle



- ▶ Two track, top-running sliding door system
- ▶ Inset door position
- ▶ For wooden doors
- ▶ Door weight up to 50/75 kg
- ▶ Door height up to 2500 mm
- ▶ Door width from 500 - 3000 mm
- ▶ Door thickness from 16 - 19 mm
- ▶ Optional height adjustment +/- 2 mm
- ▶ Can be combined with bottom guide STB 11, 12 & 35 guide system
- ▶ Tested to DIN EN 15706, Level 3

Set contains fitting, runner profile, STB guide profile and STB guide set

Number of doors and door position



Set Description	Qty.	Unit	MRP
TopLine 1			
TopLine 1/ 2 Door/ 16-19 mm Thickness/ 50 kg/ STB 11	1	Set	10,619
TopLine 1/ 2 Door/ 16-19 mm Thickness/ 50 kg/ STB 12	1	Set	10,619
TopLine 1/ 2 Door/ 16-19 mm Thickness/ 50 kg/ STB 35	1	Set	6,527
TopLine 1/ 2 Door/ 16-19 mm Thickness/ 75 kg/ STB 11	1	Set	12,862
TopLine 1/ 2 Door/ 16-19 mm Thickness/ 75 kg/ STB 12	1	Set	12,862
TopLine 1/ 2 Door/ 16-19 mm Thickness/ 75 kg/ STB 35	1	Set	8,770
TopLine 1/ 3 Door/ 16-19 mm Thickness/ 50 kg/ STB 11	1	Set	11,843
TopLine 1/ 3 Door/ 16-19 mm Thickness/ 50 kg/ STB 12	1	Set	11,907
TopLine 1/ 3 Door/ 16-19 mm Thickness/ 50 kg/ STB 35	1	Set	7,576
TopLine 1/ 3 Door/ 16-19 mm Thickness/ 75 kg/ STB 11	1	Set	15,318
TopLine 1/ 3 Door/ 16-19 mm Thickness/ 75 kg/ STB 12	1	Set	15,382
TopLine 1/ 3 Door/ 16-19 mm Thickness/ 75 kg/ STB 35	1	Set	11,051

For more options, please refer to master catalogue or visit www.hettich.com

For sales enquires & ordering information please contact your nearest Hettich hardware dealer or call our toll-free no.: 1800 209 2096



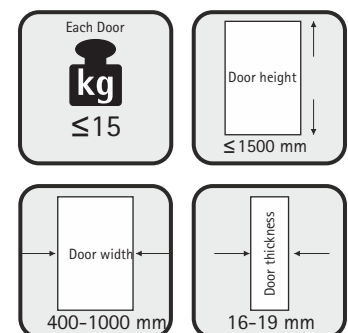
Intelligent with easy installation Top running sliding system for mid-size cabinets: **SysLine S**

■ Unique Features:

- Sliding door system with integrated & concealed silent system
- Optional bottom profile

■ Application:

- Ideal for mid size storage in office & home



Top Running Sliding Door Systems

▶ SysLine S (Special Request)



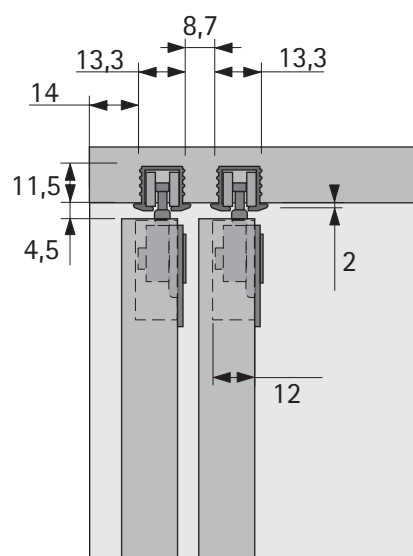
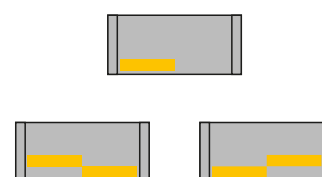
Operating principle



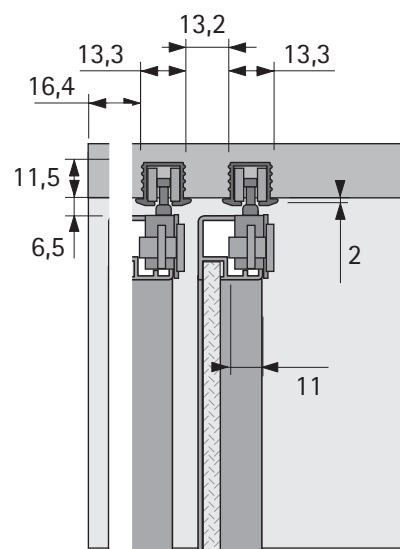
- ▶ Two track, top-running sliding door system
- ▶ Inset door position
- ▶ For wooden doors or aluminium-framed doors
- ▶ Door weight up to 15 kg
- ▶ Door height up to 1500 mm
- ▶ Door width 400 - 1000 mm
- ▶ Door thickness 16-19 mm
- ▶ Height adjustment +/- 1.5 mm
- ▶ Top panel over 16 mm thick
- ▶ Can be combined with bottom guide STB 11 and STB 35
- ▶ Tested to EN 15706, Level 3
- ▶ Optional silent system in closing & opening direction
- ▶ Tool-less height adjustment +/- 1.5 mm
- ▶ Tool-less fast installation of the front panel

Set contains fitting with/without silent system, runner profile, STB guide profile and STB guide set

Number of doors and door position



For wooden doors



For aluminium framed doors

Set Description	Qty.	Unit	MRP
SysLine S			
SysLine S/ 2 Door/ 16-19 mm Thickness/ 15 kg/ STB 11/ With Soft Closing and Opening	1	Set	22,796
SysLine S/ 2 Door/ 16-19 mm Thickness/ 15 kg/ STB 35/ With Soft Closing and Opening	1	Set	19,186
SysLine S/ 2 Door/ 16-19 mm Thickness/ 15 kg/ STB 11/ With Soft Closing	1	Set	16,940
SysLine S/ 2 Door/ 16-19 mm Thickness/ 15 kg/ STB 35/ With Soft Closing	1	Set	13,330
SysLine S/ 2 Door/ 16-19 mm Thickness/ 15 kg/ STB 11/ Without Soft Closing	1	Set	13,826
SysLine S/ 2 Door/ 16-19 mm Thickness/ 15 kg/ STB 35/ Without Soft Closing	1	Set	10,216

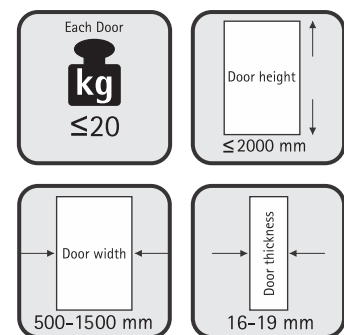
For more options, please refer to master catalogue or visit www.hettich.com

For sales enquires & ordering information please contact your nearest Hettich hardware dealer or call our toll-free no.: 1800 209 2096



Multi-purpose Inset sliding system for light door cabinets: TopLine 110

- **Unique Feature:**
 - Light door topline fitting with bottom profile
- **Application**
 - Small storage cabinet for multi-purpose usage in different section of home like vanity & office



Top Running Sliding Door Systems

▶ TopLine 110 (Special Request)



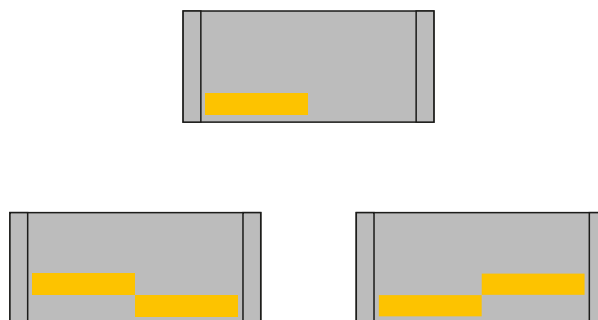
Operating principle



- ▶ One track, top-running sliding door system
- ▶ Inset door position
- ▶ For wooden doors or aluminium-framed doors
- ▶ Door weight up to 20 kg
- ▶ Door height up to 2000 mm
- ▶ Door width 500 - 1500 mm
- ▶ Door thickness 16 mm - 19 mm
- ▶ Height adjustment +/- 2 mm, without the need for tools
- ▶ Min. top panel thickness 19 mm
- ▶ Tested to DIN EN 15706, level 3

Set contains fitting, runner profile and silent system

Number of doors and door position



Set Description	Qty.	Unit	MRP
Topline 110			
TopLine 110/ 2 Door/ 16-19 mm Thickness/ 20 kg/ With Silent System (Only soft closing)	1	Set	9,716

For more options, please refer to master catalogue or visit www.hettich.com

For sales enquires & ordering information please contact your nearest Hettich hardware dealer or call our toll-free no.: 1800 209 2096



Attractive, smooth movers

Hettich fittings for bottom running sliding doors are tried and proven performers. Sliding doors are the ideal solution for revealing all cabinet contents anywhere in the home and office. Unobstructed access to contents, doors do not intrude into the room when they are open. Doors move easily and quietly and close reliably too.

Convenience from Hettich.



Grant 400 Neo



SlideLine M



SlideLine 16



SlideLine 56

Bottom Running Sliding Door Systems

► Grant 400 Neo



Designed for versatility & creative flexibility

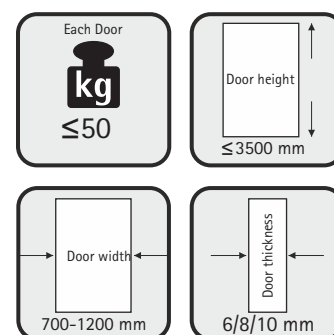
Versatile floor to ceiling sliding system with soft opening & soft closing: **Grant 400 Neo**

■ Unique Feature:

- Retro-fitable floor to ceiling sliding doors with silent system for wardrobe or room partition with profiles for assembling doors using glass/wooden/acrylic inset panels

■ Applications:

- 2/3 doors for floor to ceiling wardrobe & storage units
- Room partitions



Bottom Running Sliding Door Systems

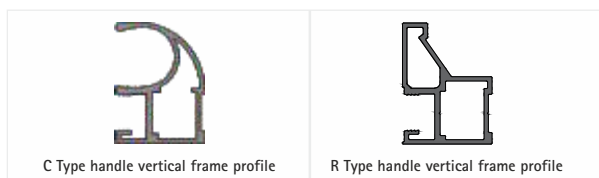
▶ Grant 400 Neo



Operating principle (Sliding Track & Roller Kit)



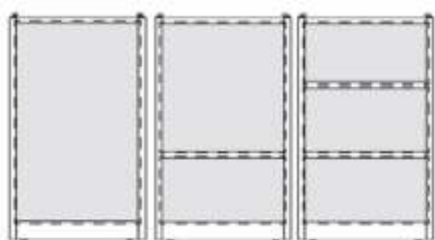
- ▶ Twin track bottom running sliding partition door system
- ▶ Inset door position
- ▶ Max. door height 3500 mm
- ▶ Max. door width. 700-1200 mm
- ▶ Space required for profile installation 83 mm
- ▶ Max. door weight 50 kg/per door
- ▶ Soft opening & soft closing



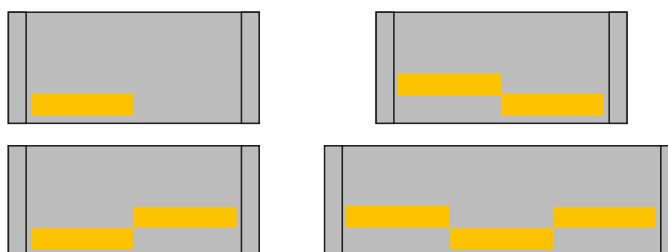
Lock for Grant 400 Neo



Number of doors and door position



Door Inset Panel Distribution (Vertical)



Door Configurations for 2 & 3 Door wardrobe

Set Description	Qty.	Unit	MRP
Grant 400 Neo (With No Partition)			
Grant 400 Neo/ 2 Door/ 6,8,10 mm Thickness/ 50 kg/ SA Finish C Type/ With Silent System (Both soft closing & soft opening)	1	Set	22,427
Grant 400 Neo/ 2 Door/ 6,8,10 mm Thickness/ 50 kg/ SA Finish R Type/ With Silent System (Both soft closing & soft opening)	1	Set	25,591
Grant 400 Neo/ 3 Door/ 6,8,10 mm Thickness/ 50 kg/ SA Finish C Type/ With Silent System (Both soft closing & soft opening)	1	Set	33,639
Grant 400 Neo/ 3 Door/ 6,8,10 mm Thickness/ 50 kg/ SA Finish R Type/ With Silent System (Both soft closing & soft opening)	1	Set	38,385
Grant 400 Neo/ 2 Door/ 6,8,10 mm Thickness/ 50 kg/ Black Finish C Type/ With Silent System (Both soft closing & soft opening)	1	Set	32,952
Grant 400 Neo/ 2 Door/ 6,8,10 mm Thickness/ 50 kg/ Black Finish R Type/ With Silent System (Both soft closing & soft opening)	1	Set	35,140
Grant 400 Neo/ 3 Door/ 6,8,10 mm Thickness/ 50 kg/ Black Finish C Type/ With Silent System (Both soft closing & soft opening)	1	Set	49,424
Grant 400 Neo/ 3 Door/ 6,8,10 mm Thickness/ 50 kg/ Black Finish R Type/ With Silent System (Both soft closing & soft opening)	1	Set	52,706
Grant 400 Neo/ 2 Door/ 6,8,10 mm Thickness/ 50 kg/ DC Finish C Type/ With Silent System (Both soft closing & soft opening)	1	Set	32,952
Grant 400 Neo/ 2 Door/ 6,8,10 mm Thickness/ 50 kg/ DC Finish R Type/ With Silent System (Both soft closing & soft opening)	1	Set	35,140
Grant 400 Neo/ 3 Door/ 6,8,10 mm Thickness/ 50 kg/ DC Finish C Type/ With Silent System (Both soft closing & soft opening)	1	Set	49,424
Grant 400 Neo/ 3 Door/ 6,8,10 mm Thickness/ 50 kg/ DC Finish R Type/ With Silent System (Both soft closing & soft opening)	1	Set	52,706

For more options, please refer to master catalogue or visit www.hettich.com

For sales enquires & ordering information please contact your nearest Hettich hardware dealer or call our toll-free no.: 1800 209 2096

Bottom Running Sliding Door Systems

► Grant 400 Neo



Set Description	Qty.	Unit	MRP
Grant 400 Neo (With One Partition)			
Grant 400 Neo/ 2 Door/ 6,8,10 mm Thickness/ 50 kg/ SA Finish C Type/ With Silent System (Both soft closing & soft opening)	1	Set	24,121
Grant 400 Neo/ 2 Door/ 6,8,10 mm Thickness/ 50 kg/ SA Finish R Type/ With Silent System (Both soft closing & soft opening)	1	Set	27,285
Grant 400 Neo/ 3 Door/ 6,8,10 mm Thickness/ 50 kg/ SA Finish C Type/ With Silent System (Both soft closing & soft opening)	1	Set	36,180
Grant 400 Neo/ 3 Door/ 6,8,10 mm Thickness/ 50 kg/ SA Finish R Type/ With Silent System (Both soft closing & soft opening)	1	Set	40,926
Grant 400 Neo/ 2 Door/ 6,8,10 mm Thickness/ 50 kg/ Black Finish C Type/ With Silent System (Both soft closing & soft opening)	1	Set	35,454
Grant 400 Neo/ 2 Door/ 6,8,10 mm Thickness/ 50 kg/ Black Finish R Type/ With Silent System (Both soft closing & soft opening)	1	Set	37,642
Grant 400 Neo/ 3 Door/ 6,8,10 mm Thickness/ 50 kg/ Black Finish C Type/ With Silent System (Both soft closing & soft opening)	1	Set	53,177
Grant 400 Neo/ 3 Door/ 6,8,10 mm Thickness/ 50 kg/ Black Finish R Type/ With Silent System (Both soft closing & soft opening)	1	Set	56,459
Grant 400 Neo/ 2 Door/ 6,8,10 mm Thickness/ 50 kg/ DC Finish C Type/ With Silent System (Both soft closing & soft opening)	1	Set	35,454
Grant 400 Neo/ 2 Door/ 6,8,10 mm Thickness/ 50 kg/ DC Finish R Type/ With Silent System (Both soft closing & soft opening)	1	Set	37,642
Grant 400 Neo/ 3 Door/ 6,8,10 mm Thickness/ 50 kg/ DC Finish C Type/ With Silent System (Both soft closing & soft opening)	1	Set	53,177
Grant 400 Neo/ 3 Door/ 6,8,10 mm Thickness/ 50 kg/ DC Finish R Type/ With Silent System (Both soft closing & soft opening)	1	Set	56,459

For more options, please refer to master catalogue or visit www.hettich.com

For sales enquires & ordering information please contact your nearest Hettich hardware dealer or call our toll-free no.: 1800 209 2096

Bottom Running Sliding Door Systems

► Grant 400 Neo



Set Description	Qty.	Unit	MRP
Grant 400 Neo (With Two Partitions)			
Grant 400 Neo/ 2 Door/ 6,8,10 mm Thickness/ 50 kg/ SA Finish C Type/ With Silent System (Both soft closing & soft opening)	1	Set	25,815
Grant 400 Neo/ 2 Door/ 6,8,10 mm Thickness/ 50 kg/ SA Finish R Type/ With Silent System (Both soft closing & soft opening)	1	Set	28,979
Grant 400 Neo/ 3 Door/ 6,8,10 mm Thickness/ 50 kg/ SA Finish C Type/ With Silent System (Both soft closing & soft opening)	1	Set	38,721
Grant 400 Neo/ 3 Door/ 6,8,10 mm Thickness/ 50 kg/ SA Finish R Type/ With Silent System (Both soft closing & soft opening)	1	Set	43,467
Grant 400 Neo/ 2 Door/ 6,8,10 mm Thickness/ 50 kg/ Black Finish C Type/ With Silent System (Both soft closing & soft opening)	1	Set	37,956
Grant 400 Neo/ 2 Door/ 6,8,10 mm Thickness/ 50 kg/ Black Finish R Type/ With Silent System (Both soft closing & soft opening)	1	Set	40,144
Grant 400 Neo/ 3 Door/ 6,8,10 mm Thickness/ 50 kg/ Black Finish C Type/ With Silent System (Both soft closing & soft opening)	1	Set	56,930
Grant 400 Neo/ 3 Door/ 6,8,10 mm Thickness/ 50 kg/ Black Finish R Type/ With Silent System (Both soft closing & soft opening)	1	Set	60,212
Grant 400 Neo/ 2 Door/ 6,8,10 mm Thickness/ 50 kg/ DC Finish C Type/ With Silent System (Both soft closing & soft opening)	1	Set	37,956
Grant 400 Neo/ 2 Door/ 6,8,10 mm Thickness/ 50 kg/ DC Finish R Type/ With Silent System (Both soft closing & soft opening)	1	Set	40,144
Grant 400 Neo/ 3 Door/ 6,8,10 mm Thickness/ 50 kg/ DC Finish C Type/ With Silent System (Both soft closing & soft opening)	1	Set	56,930
Grant 400 Neo/ 3 Door/ 6,8,10 mm Thickness/ 50 kg/ DC Finish R Type/ With Silent System (Both soft closing & soft opening)	1	Set	60,212

For more options, please refer to master catalogue or visit www.hettich.com

For sales enquires & ordering information please contact your nearest Hettich hardware dealer or call our toll-free no.: 1800 209 2096



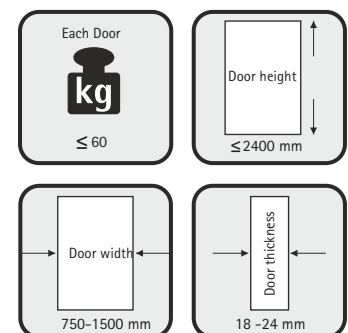
Simple & reliable with ease of installation Soft opening & soft closing sliding system for wardrobes: **SlideLine 16**

■ Unique Features:

- Simple technology for easy assembly of bottom running sliding door system
- Complete Inset solution for a wardrobe with highly efficient soft opening & soft closing features
- European origin mounting kit and silent system with 'Made in India' runner & guide profile

■ Applications:

- Walk-in wardrobes
- Store room solutions
- Wooden sliding doors in wardrobes
- Niches, passages & room dividers

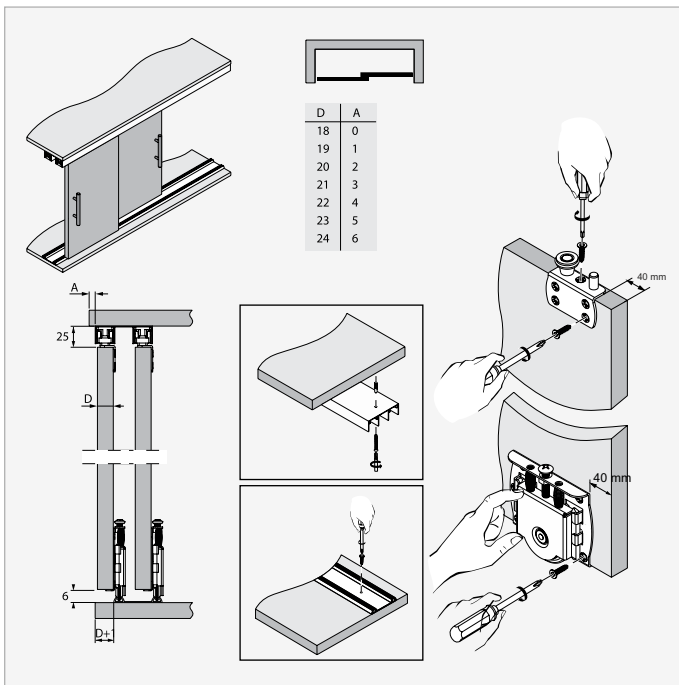


Bottom Running Sliding Door Systems

► SlideLine 16

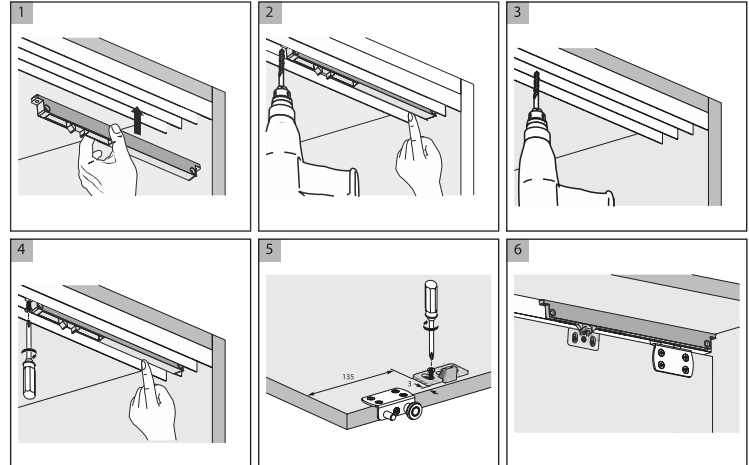


Operating principle



- Two track aluminium profiles for screwing on
- No routing, no drilling
- Length 3000 mm, 2000 mm
- For max. door weight of 60 kg
- Soft opening/soft closing with improved version of dampener.
- For wooden doors (18 - 24 mm)
- Bottom running sliding door system

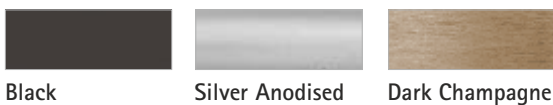
Set contains fitting, profile and silent system



Quality Criteria

- Endurance test over 20,000 cycles (EN 15706 Level 2)
- Closing test with a pulling force of 3kg (EN 15706 Level 2)
- Lift out test at 200N (EN 15706 Level 2)
- Load test in Horizontal direction at 200N (EN 15706 Level 2)
- Corrosion Test : 72 Hours Condensation Test (EN 6270)

Aluminium Profile Finishes



Black Silver Anodised Dark Champagne

Set Description	Qty.	Unit	MRP
SlideLine 16			
SlideLine 16/ 2 Door/ 18-24 mm Thickness/ 80 kg/ 2000 mm SA/ With Silent System (Only soft closing)	1	Set	4,036
SlideLine 16/ 2 Door/ 18-24 mm Thickness/ 80 kg/ 3000 mm SA/ With Silent System (Only soft closing)	1	Set	4,705
SlideLine 16/ 2 Door/ 18-24 mm Thickness/ 80 kg/ 2000 mm Black/ With Silent System (Only soft closing)	1	Set	5,016
SlideLine 16/ 2 Door/ 18-24 mm Thickness/ 80 kg/ 3000 mm Black/ With Silent System (Only soft closing)	1	Set	5,808
SlideLine 16/ 2 Door/ 18-24 mm Thickness/ 60 kg/ 2000 mm DC/ With Silent System (Only soft closing)	1	Set	5,016
SlideLine 16/ 2 Door/ 18-24 mm Thickness/ 60 kg/ 3000 mm DC/ With Silent System (Only soft closing)	1	Set	5,808

For more options, please refer to master catalogue or visit www.hettich.com

For sales enquires & ordering information please contact your nearest Hettich hardware dealer or call our toll-free no.: 1800 209 2096



Customize to your imagination

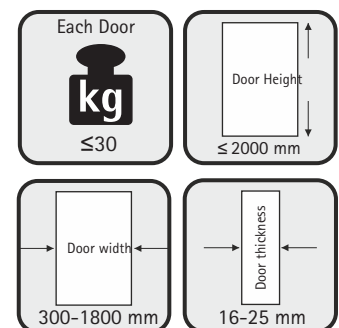
Free moving sliding door system for showcases: **SlideLine M Overlay**

■ Unique Features:

- Runner profiles are fitted discreetly in the edge of horizontal panels
- Comes with soft opening, soft closing and anti colliding function

■ Applications:

- Ideal for TV units/entertainment furniture
- Suitable for kitchen overhead units
- Adds life to your showcase-unit in home

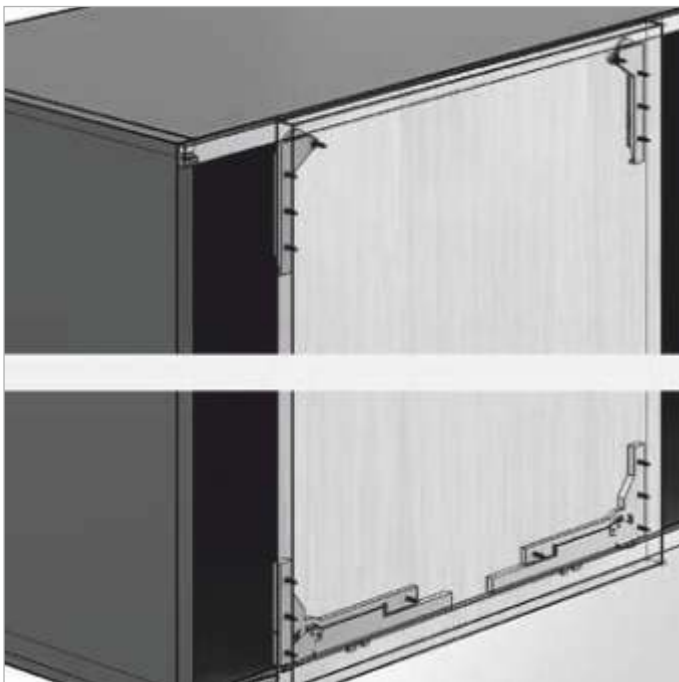


Bottom Running Sliding Door Systems

▶ SlideLine M Overlay



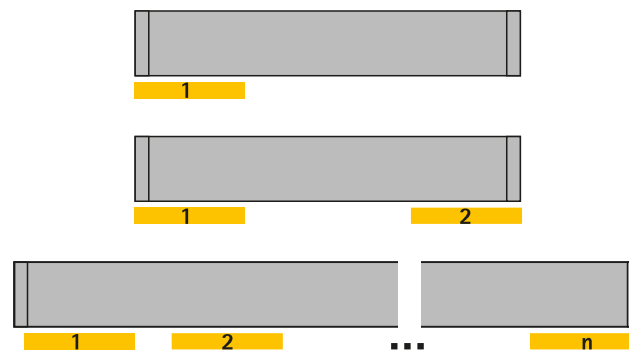
Operating principle



- ▶ 1-track, bottom-running sliding door system
- ▶ Overlay door position
- ▶ For wooden doors, aluminium-framed doors and glass doors
- ▶ Door weights up to 30 kg
- ▶ Door width 300-1800 mm
- ▶ Profiles for shelf thickness 15/16 mm, 18/19 mm, 22 mm, 25 mm
- ▶ +/- 2 mm height adjustment
- ▶ Silent System with activators that can be positioned anywhere
- ▶ Fast installation of front without need for tools
- ▶ Tested to DIN-EN 15706, level 3

Set contains fitting, profile and decorative silver cover

Number of doors and door position



Set Description	Qty.	Unit	MRP
SlideLine M			
SlideLine M Overlay/ 1 Door/ 15-25 mm Thickness/ 30 kg/ 18/ 2500 mm/ Silent System (Both soft closing & soft opening)	1	Set	27,580
SlideLine M Overlay/ 1 Door/ 15-25 mm Thickness/ 30 kg/ 18/ 2500 mm/ Without Silent System	1	Set	30,114
SlideLine M Overlay/ 1 Door/ 15-25 mm Thickness/ 30 kg/ 18/ 4000 mm/ Silent System (Both soft closing & soft opening)	1	Set	35,380
SlideLine M Overlay/ 1 Door/ 15-25 mm Thickness/ 30 kg/ 18/ 4000 mm/ Without Silent System	1	Set	37,914
SlideLine M Overlay/ 1 Door/ 15-25 mm Thickness/ 30 kg/ 22/ 4000 mm/ Silent System (Both soft closing & soft opening)	1	Set	37,226
SlideLine M Overlay/ 1 Door/ 15-25 mm Thickness/ 30 kg/ 22/ 4000 mm/ Without Silent System	1	Set	39,760
SlideLine M Overlay/ 1 Door/ 15-25 mm Thickness/ 30 kg/ 25/ 2500 mm/ Silent System (Both soft closing & soft opening)	1	Set	28,894
SlideLine M Overlay/ 1 Door/ 15-25 mm Thickness/ 30 kg/ 25/ 2500 mm/ Without Silent System	1	Set	31,428
SlideLine M Overlay/ 1 Door/ 15-25 mm Thickness/ 30 kg/ 25/ 4000 mm/ Silent System (Both soft closing & soft opening)	1	Set	36,878
SlideLine M Overlay/ 1 Door/ 15-25 mm Thickness/ 30 kg/ 25/ 4000 mm/ Without Silent System	1	Set	39,412

For more options, please refer to master catalogue or visit www.hettich.com

For sales enquires & ordering information please contact your nearest Hettich hardware dealer or call our toll-free no.: 1800 209 2096



Customize to your imagination

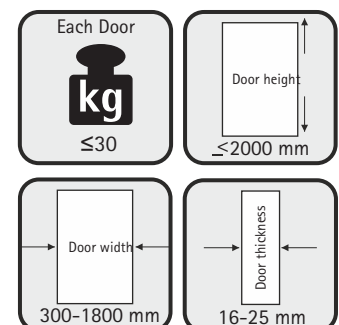
Free moving inset sliding door system for showcases: **SlideLine M Inset**

■ Unique Features:

- Runner profiles are fitted discreetly in the carcase either by screwed on or groove mounted
- Comes with soft opening, soft closing and anti colliding function
- Tested & tried system

■ Applications:

- Ideal for TV units, entertainment furniture and wardrobe solutions
- Suitable for wall unit or as clever alcove solution in modern kitchen

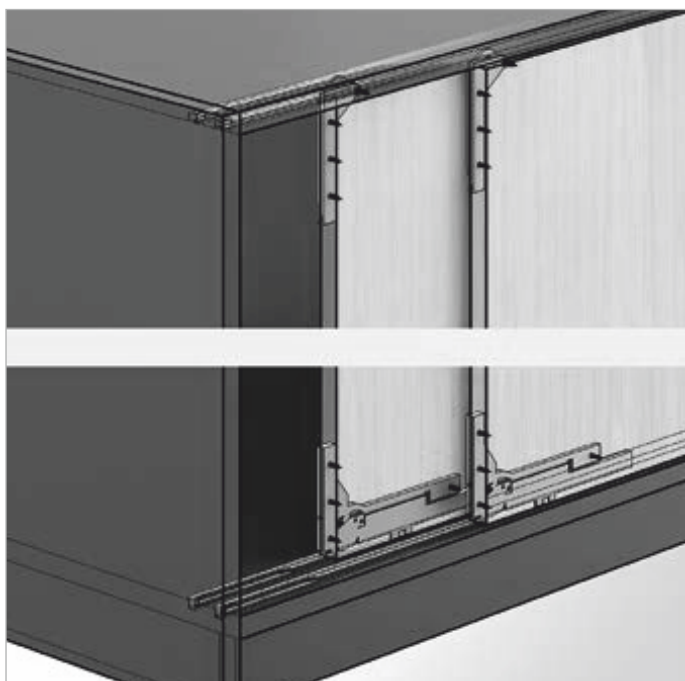


Bottom Running Sliding Door Systems

▶ SlideLine M Inset



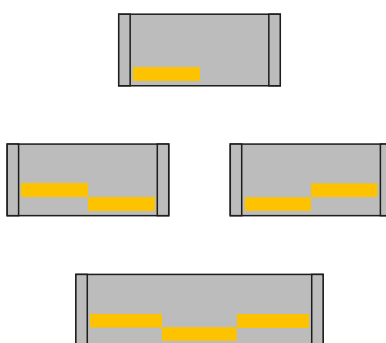
Operating principle



- ▶ 2-track bottom-running sliding door system
- ▶ Inset door position
- ▶ Wooden Doors
- ▶ 2-door or 3-door application
- ▶ Runner and guide profile for screwing on or pressing in
- ▶ Door weight up to 30 kg
- ▶ Door height up to 2000 mm
- ▶ Door width from 300 - 1800 mm
- ▶ +/- 2 mm height adjustment
- ▶ Silent system in closing, opening and colliding direction
- ▶ Door quickly mounted without the need for tools
- ▶ Tested to EN 15706, Level 3

Set contains fitting, profile, mounting aid and fixing screws

Number of doors and door position



Set Description	Qty.	Unit	MRP
SlideLine M Inset			
SlideLine M Inset/ 1 Door/ 15-25 mm Thickness/ 30 kg/ With Silent System (Both soft closing & soft opening)	1	Set	16,676
SlideLine M Inset/ 1 Door/ 15-25 mm Thickness/ 30 kg Without Silent System	1	Set	19,210

For more options, please refer to master catalogue or visit www.hettich.com

For sales enquires & ordering information please contact your nearest Hettich hardware dealer or call our toll-free no.: 1800 209 2096



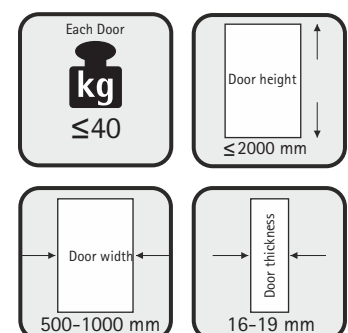
Compact & reliable Inset sliding system for up to 3 metre wide wardrobes: **SlideLine 56**

■ Unique Features:

- Simple technology for easy assembly
- Optional silent system

■ Applications:

- Standalone storage cabinets for office use only
- For small residential storage wardrobes/cabinets
- Ideal for commercial (hospitals/hotels etc.) storage units

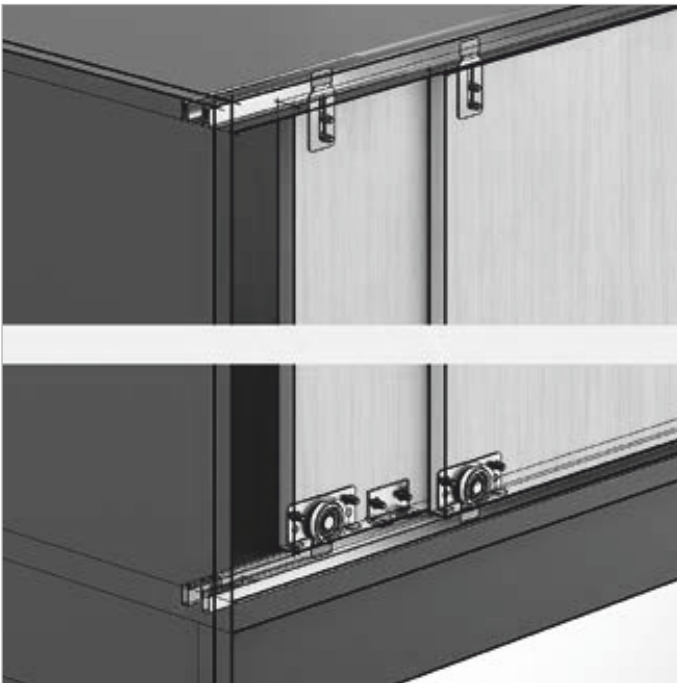


Bottom Running Sliding Door Systems

▶ SlideLine 56



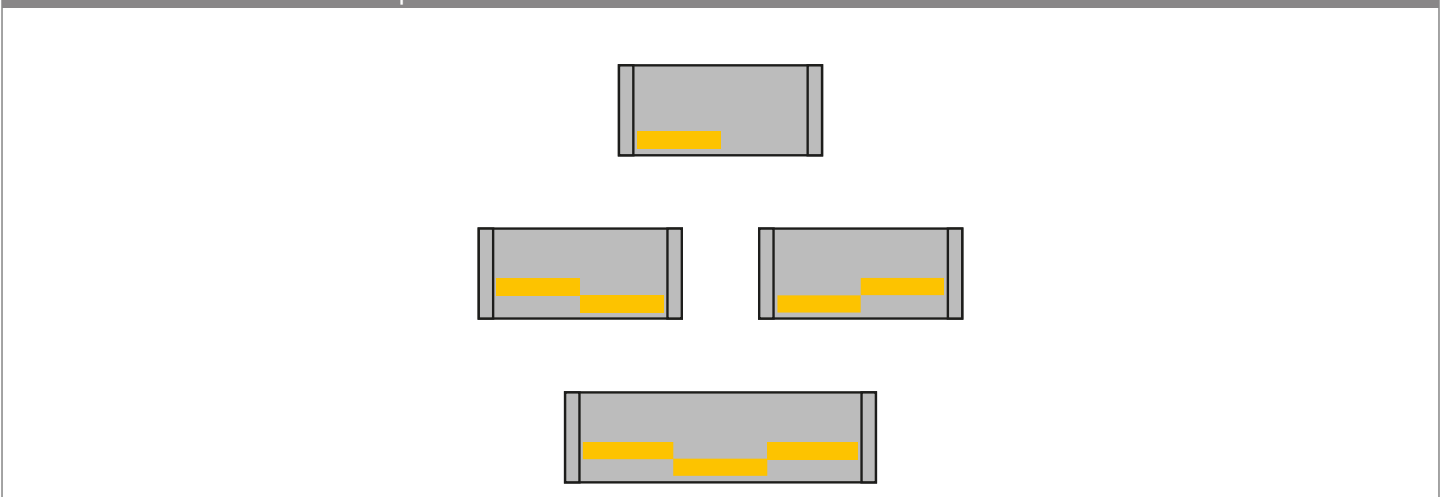
Operating principle



- ▶ Bottom running sliding door system
- ▶ Inset door position
- ▶ For wooden doors
- ▶ Door weight up to 40 kg
- ▶ Door height up to 2000 mm
- ▶ Door width 500 - 1000 mm
- ▶ For optional use with silent system (only 2 door set)(max. door weight 20 kg only)
- ▶ Runner and guide profile in aluminium
- ▶ Tested to EN 15706, Level 3

Set contains fitting, profile and silent system

Number of doors and door position



Set Description	Qty.	Unit	MRP
SlideLine 56			
SlideLine 56/ 2 Door/ 16-19 mm Thickness/ 40 kg/ 2000 mm/ Without Silent System	1	Set	3,410
SlideLine 56/ 2 Door/ 16-19 mm Thickness/ 40 kg/ 3000 mm/ Without Silent System	1	Set	4,170
SlideLine 56/ 3 Door/ 16-19 mm Thickness/ 40 kg/ 2000 mm/ Without Silent System	1	Set	4,252
SlideLine 56/ 3 Door/ 16-19 mm Thickness/ 40 kg/ 3000 mm/ Without Silent System	1	Set	5,012
SlideLine 56/ 2 Door/ 16-19 mm Thickness/ 20 kg/ 2000 mm/ With Silent System (Only soft closing)	1	Set	7,752
SlideLine 56/ 2 Door/ 16-19 mm Thickness/ 20 kg/ 3000 mm/ With Silent System (Only soft closing)	1	Set	8,512

For more options, please refer to master catalogue or visit www.hettich.com

For sales enquires & ordering information please contact your nearest Hettich hardware dealer or call our toll-free no.: 1800 209 2096



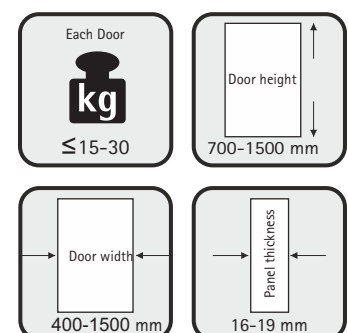
Efficiently compact Inset sliding system for lighter cabinets: **SlideLine 55**

■ Unique Features:

- Easy installation
- Smooth functioning for small cabinets
- With optional silent system

■ Applications:

- Office storage cabinet
- Small cabinets in living area

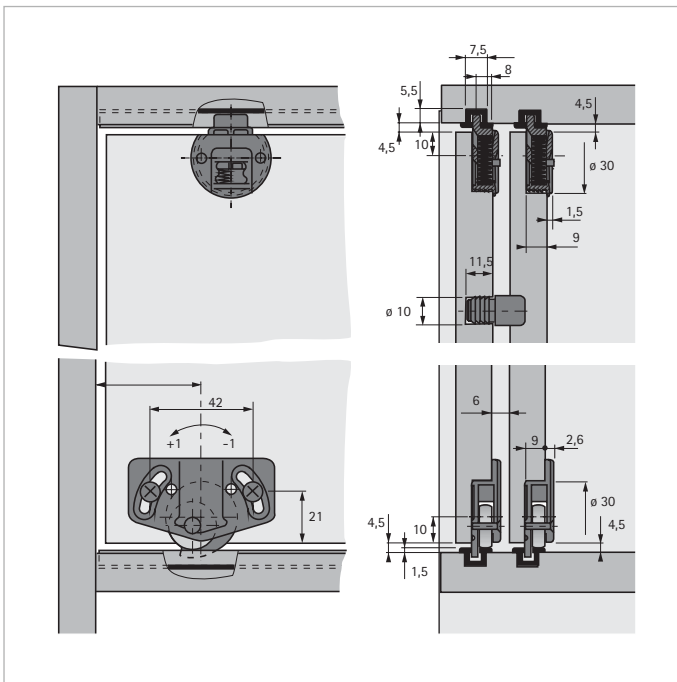


Bottom Running Sliding Door Systems

▶ SlideLine 55



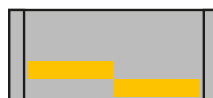
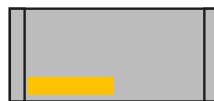
Operating principle



- ▶ 2-track, bottom-running sliding door system
- ▶ Inset door position
- ▶ For wooden doors
- ▶ Door weight up to 15 kg with plastic profiles
- ▶ Door weight up to 30 kg with aluminium profiles
- ▶ Door height 700 - 1500 mm
- ▶ Door width 400 - 1500 mm
- ▶ Door thickness 16, 19 mm
- ▶ Height adjustment +/- 1 mm, without the need for tools
- ▶ Tested to EN 15706, Level 3
- ▶ Silent system cannot be used with aluminium profile doors

Set contains profile, running component, guide component, door stopper and silent system

Number of doors and door position



Set Description	Qty.	Unit	MRP
SlideLine 55			
SlideLine 55/ 2 Door/ 16-19 mm Thickness/ 15-30 kg/ 3000 mm/ With Silent System (Only soft closing)	1	Set	5,843

For more options, please refer to master catalogue or visit www.hettich.com

For sales enquires & ordering information please contact your nearest Hettich hardware dealer or call our toll-free no.: 1800 209 2096

Bottom Running Sliding Door Systems

▶ SlideLine 97 (Special Request)



Perfect solution for high-end showcases

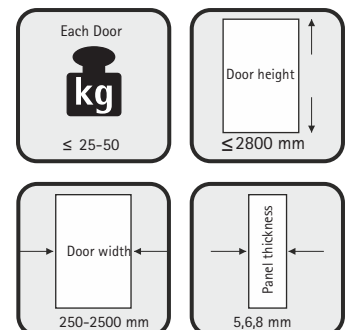
Smoothest possible sliding solution for glass door cabinets: **SlideLine 97**

■ Unique Features:

- Complete frame less glass door sliding solution for large cabinet
- Precision and secure running action along with optional locking

■ Applications:

- Showcases for jewellery/watches etc in showrooms
- Artefacts for living room and commercial places
- Used for crockery units at home

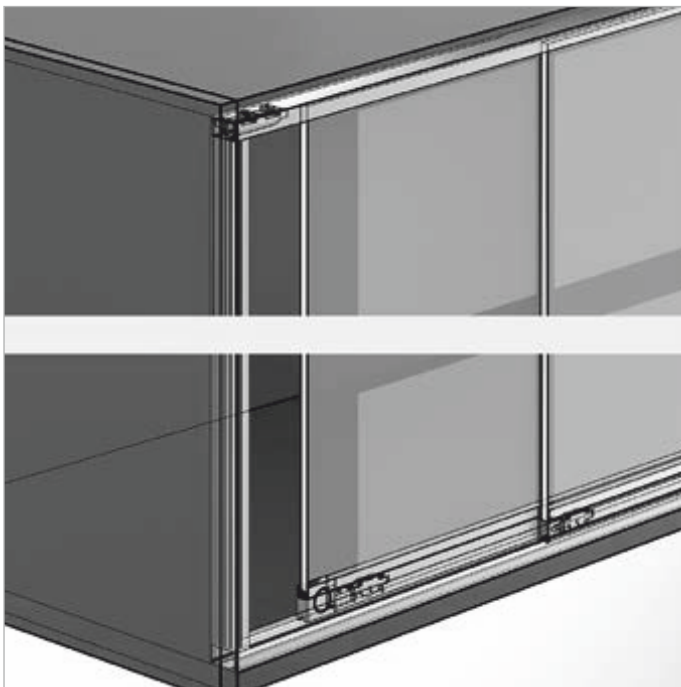


Bottom Running Sliding Door Systems

▶ SlideLine 97 (Special Request)



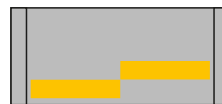
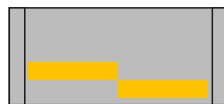
Operating principle



- ▶ Bottom-running sliding door system
- ▶ Door weight no more than 25 kg or 50 kg per glass door
- ▶ For glass doors
- ▶ Suitable for glass 5, 6 and 8 mm thick
- ▶ Door height up to 2800 mm
- ▶ Door width 250 - 2500 mm
- ▶ Running components with plastic sheathed ball bearing
- ▶ Lockable with prestige 2000 cylinder push lock
- ▶ Tested to EN 15706, Level 2

Set contains guide profile, running shoe, running gear, stop & securing device, dust prevention profile, frame runner profile, end plate/running component handle/cylinder push lock, frame, profile for 6 mm and special fitting tool

Number of door wings and door position



Set Description	Qty.	Unit	MRP
SlideLine 97			
SlideLine 97/ 2 Door/ 5,6,8 mm Glass Thickness/ 25-50 kg/ With End Plates	1	Set	33,284
SlideLine 97/ 2 Door/ 5,6,8 mm Glass Thickness/ 25-50 kg/ With End Plates and Running Component Handle	1	Set	34,389
SlideLine 97/ 2 Door/ 5,6,8 mm Glass Thickness/ 25-50 kg/ With Adapter and Cylinder Push Lock	1	Set	41,238

For more options, please refer to master catalogue or visit www.hettich.com

For sales enquires & ordering information please contact your nearest Hettich hardware dealer or call our toll-free no.: 1800 209 2096



The clever way to fold doors

Folding door solutions from Hettich provide a wide range of interesting front design options. Freely moving doors, cabinet body hugging or guided systems offer a choice of solutions for optimising folding door applications. Year in, year out, these fittings easily and reliably move door elements in practically any size, material and weight.

One idea, a wealth of options - all from Hettich.



WingLine L



WingLine 170



WingLine 230



Wing 77



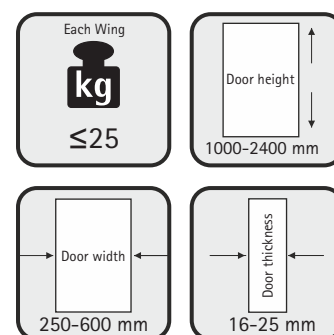
Panoramic convenience. Handleless perfection.
Sliding folding system for wardrobes with 2.4 metre wide opening: **WingLine L**

■ **Unique Features:**

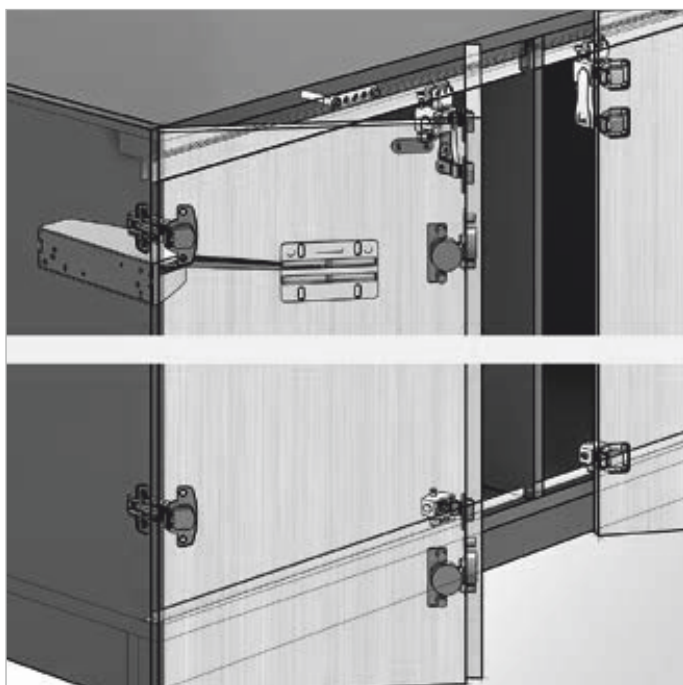
- Purist and convenient: No distracting bottom profile
- Tool-less installation
- Minimal door protrusion for efficient space utilization

■ **Applications:**

- Wardrobes in living room & bedroom
- Under staircase cabinets
- Kitchen upper cabinets



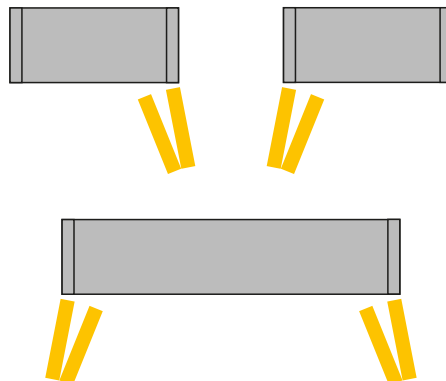
Operating principle / 1 folding door with 2 panels



- ▶ For one folding door with 2
- ▶ Overlay door position
- ▶ For wooden doors
- ▶ Door panel weight up to 25 kg with 2 panels
- ▶ Door height up to 2400 mm
- ▶ Door panel width up to 600
- ▶ 3D adjustment: Height +- 3mm; Width +-2 mm; Depth +3 to -2 mm
- ▶ Tested with 40000 cycles

Set contains fittings, mechanisms, profile and mounting clip/magnetic catch

Number of door wings and door position



Set Description	Qty.	Unit	MRP
WingLine L			
WingLine L/ 1 Folding Door/ 16-25 mm Thickness/ 5-12 kg/ Push to Move Medium	1	Set	26,736
WingLine L/ 1 Folding Door/ 16-25 mm Thickness/ 12-25 kg/ Push to Move Heavy	1	Set	34,277
WingLine L/ 1 Folding Door/ 16-25 mm Thickness/ 5-12 kg/ Pull to Move Medium	1	Set	26,756
WingLine L/ 1 Folding Door/ 16-25 mm Thickness/ 12-25 kg/ Pull to Move Heavy	1	Set	33,095
WingLine L/ 1 Folding Door/ 16-25 mm Thickness/ 5-12 kg/ Pull to Move Silent Medium/ Silent System (Only soft closing)	1	Set	24,860
WingLine L/ 1 Folding Door/ 16-25 mm Thickness/ 12-25 kg/ Pull to Move Silent Heavy/ Silent System (Only soft closing)	1	Set	30,563

For more options, please refer to master catalogue or visit www.hettich.com

For sales enquires & ordering information please contact your nearest Hettich hardware dealer or call our toll-free no.: 1800 209 2096



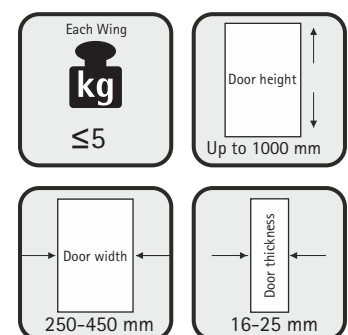
Panoramic convenience. Handleless perfection.
Sliding folding system for small cabinets with 1.8 metre wide opening: **WingLine S**

■ **Unique Features:**

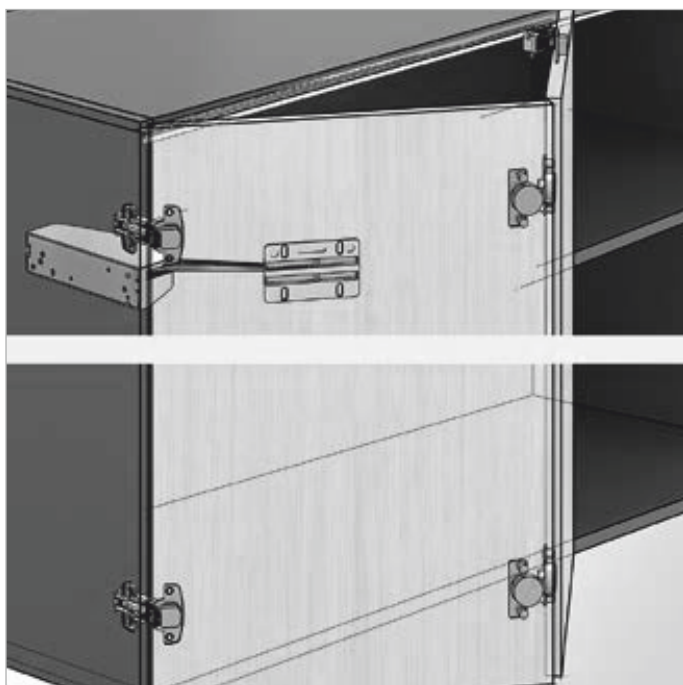
- Purist and convenient: No distracting bottom profile
- Tool-less installation
- Minimal door protrusion for efficient space utilization

■ **Applications:**

- Mid-size wardrobes in living room & bedroom
- Under staircase cabinets
- Kitchen upper cabinets

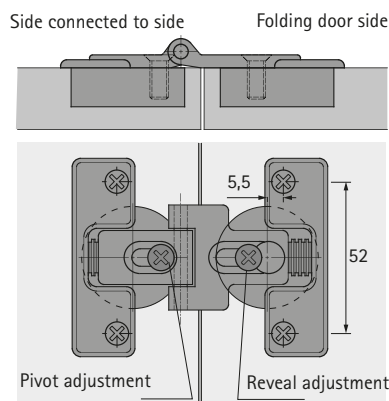


Operating principle



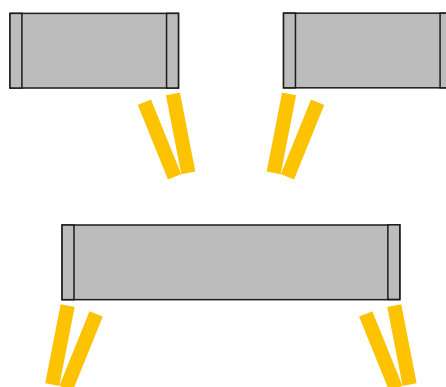
- ▶ For one folding door with 2 panels
- ▶ Overlay door position
- ▶ For wooden doors
- ▶ Suitable for use with soft-closing Sensys hinge
- ▶ Door panel weight up to 5 kgs
- ▶ Door height up to 1000 mm
- ▶ Door panel width up to 250-450 mm
- ▶ Opening angle up to 110°
- ▶ Tested with 40000 cycles

Set contains fittings, mechanisms, runner profile with mounting clip, mechanical stay closed function, centre hinges and door damper



Pivot offset
 0 mm = not possible for folding doors
 3 mm = possible for folding doors
 6 mm = recommended for folding doors

Number of door wings



Set Description	Qty.	Unit	MRP
WingLine S			
WingLine S/ 1 Folding Door/ 16-25 mm Thickness/ 3 kg/ 1200 mm/ Push to Move Light	1	Set	23,059
WingLine S/ 1 Folding Door/ 16-25 mm Thickness/ 3 kg/ 2400 mm/ Push to Move Light	1	Set	24,114
WingLine S/ 1 Folding Door/ 16-25 mm Thickness/ 5 kg/ 1200 mm/ Push to Move Centre	1	Set	24,202
WingLine S/ 1 Folding Door/ 16-25 mm Thickness/ 5 kg/ 2400 mm/ Push to Move Centre	1	Set	25,257
WingLine S/ 1 Folding Door/ 16-25 mm Thickness/ 3 kg/ 1200 mm/ Pull to Move Silent Light (Only soft closing)	1	Set	21,598
WingLine S/ 1 Folding Door/ 16-25 mm Thickness/ 3 kg/ 2400 mm/ Pull to Move Silent Light (Only soft closing)	1	Set	22,653
WingLine S/ 1 Folding Door/ 16-25 mm Thickness/ 5 kg/ 1200 mm/ Pull to Move Silent Centre (Only soft closing)	1	Set	22,922
WingLine S/ 1 Folding Door/ 16-25 mm Thickness/ 5 kg/ 2400 mm/ Pull to Move Silent Centre (Only soft closing)	1	Set	23,977

For more options, please refer to master catalogue or visit www.hettich.com

For sales enquires & ordering information please contact your nearest Hettich hardware dealer or call our toll-free no.: 1800 209 2096



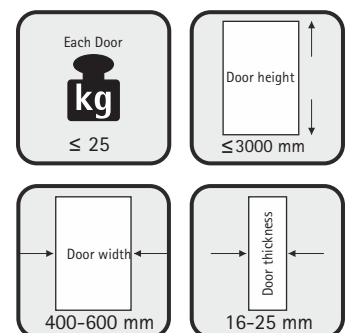
Smart space divider Universal sliding folding door system: **WingLine 230**

■ Unique Features:

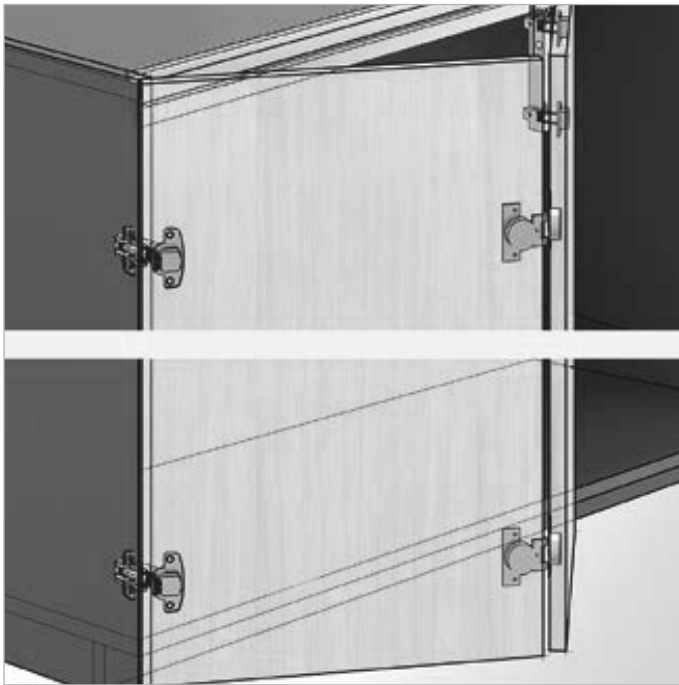
- Sliding folding door system from floor to ceiling
- No bottom track required on the floor

■ Applications:

- Can be useful in pooja room/store room/study room & room divider
- Best solution for walk-in wardrobe
- Also suitable for commercial spaces



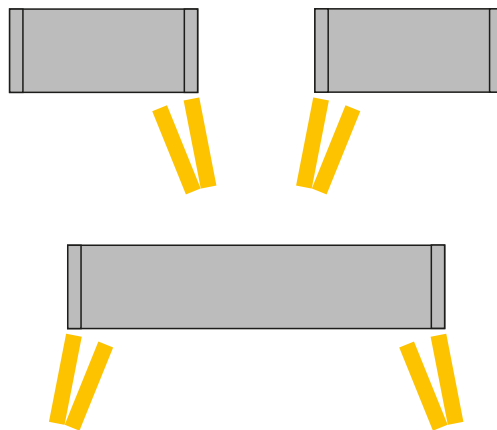
Operating principle



- ▶ For one folding door with 2 panels
- ▶ Overlay door position
- ▶ For wooden doors
- ▶ Suitable for use with soft-closing Sensys hinge
- ▶ Door panel weight 20 to 25 kg
- ▶ Door height up to 3000 mm
- ▶ Door panel width up to 600 mm
- ▶ Tested with 40000 cycles

Set contains fittings, runner profile and supporting hinges

Number of door wings and door position



Set Description	Qty.	Unit	MRP
WingLine 230			
WingLine 230/ 1 Folding Door/ 16-25 mm Thickness/ 25 kg/ 2400 mm/ 2 Wings Left	1	Set	24,621
WingLine 230/ 1 Folding Door/ 16-25 mm Thickness/ 25 kg/ 2400 mm/ 2 Wings Right	1	Set	24,621
WingLine 230/ 1 Folding Door/ 16-25 mm Thickness/ 25 kg/ 2400 mm/ 4 Wings	1	Set	37,816

For more options, please refer to master catalogue or visit www.hettich.com

For sales enquires & ordering information please contact your nearest Hettich hardware dealer or call our toll-free no.: 1800 209 2096



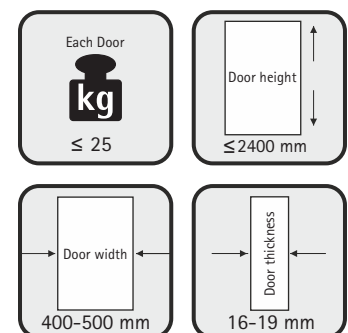
Elegantly versatile Freely movable sliding folding system: **Wing 77**

■ Unique Features:

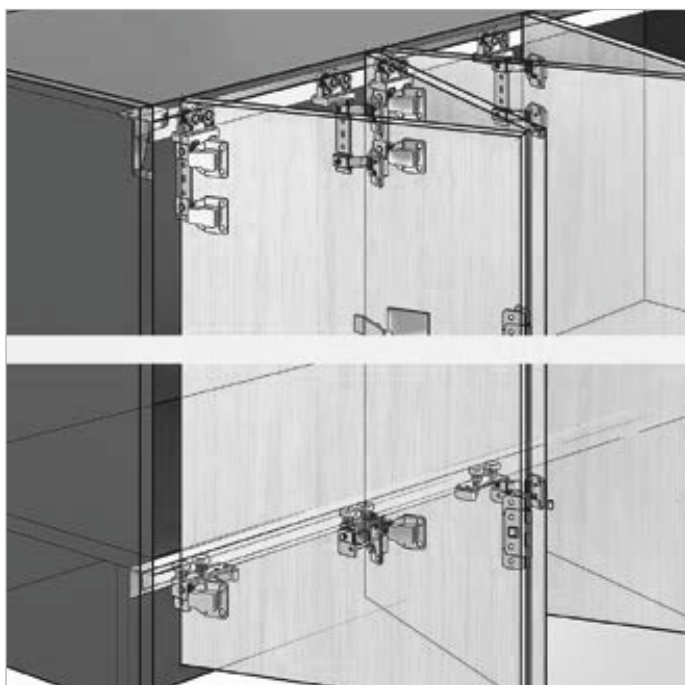
- Sliding folding door system for upto to 2 or 4 door wings
- Door panels can be hinged or separated and can move in either side

■ Applications:

- Used in kitchen pantry units
- Use in entertainment units
- Wardrobes in living room & bedroom



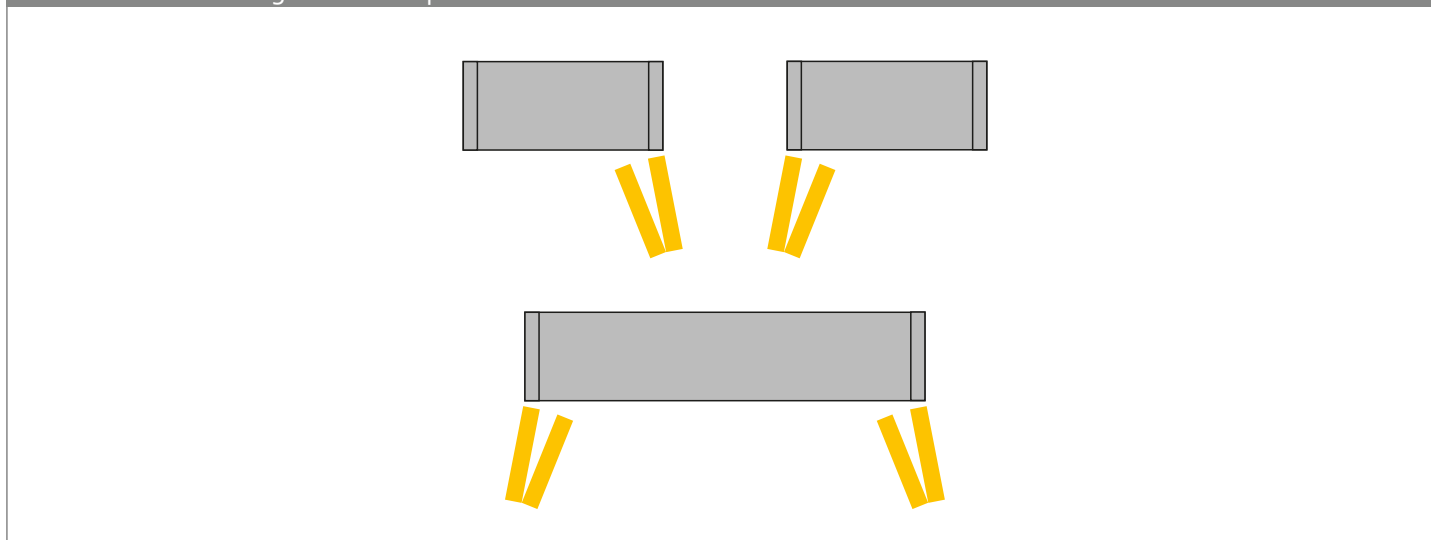
Operating principle / 1 folding door with 2 panels & 1 folding door with 4 panels



- ▶ For one folding door with 2 or 4 panels
- ▶ Overlay door position
- ▶ For wooden doors
- ▶ Center panels recessed 40 mm
- ▶ Door panel weight up to 20 kg with 4 panels / 25 kg with 2 panels
- ▶ Door height up to 2400 mm
- ▶ Door panel width up to 400 mm for 4 panels & 500 mm for 2 panels
- ▶ Height adjustment +/- 3 mm
- ▶ Tested with 40000 cycles
- ▶ Sensys 8645i need to be ordered separately

Set contains fittings, runner profile and guide profile

Number of door wings and door position



Set Description	Qty.	Unit	MRP
WingLine 77			
Wing 77/ 1 Folding Door with 2 Panels/ 16-19 mm Thickness/ 25 kg	1	Set	20,343
Wing 77/ 1 Folding Door with 4 Panels/ 16-19 mm Thickness/ 20 kg	1	Set	28,594

For more options, please refer to master catalogue or visit www.hettich.com

For sales enquires & ordering information please contact your nearest Hettich hardware dealer or call our toll-free no.: 1800 209 2096



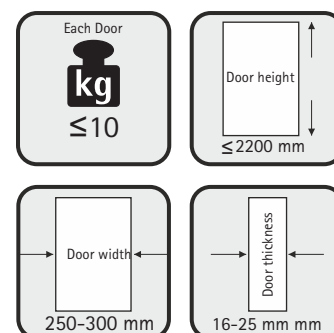
Space-saver Corner folding door system: **WingLine 170**

■ **Unique Feature:**

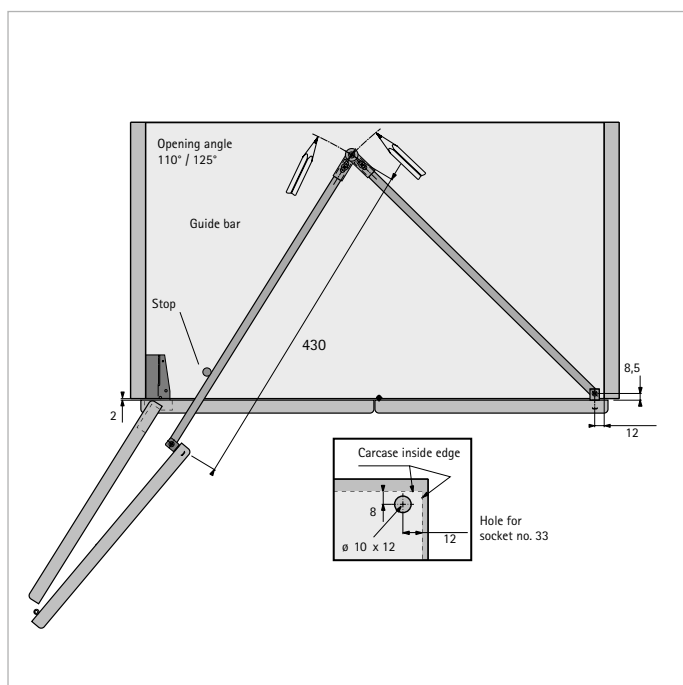
- Folding door system with opening angle up to 170°

■ **Applications:**

- Used for wall cabinets in kitchen/home etc
- Suitable for office cabinets/small wardrobes

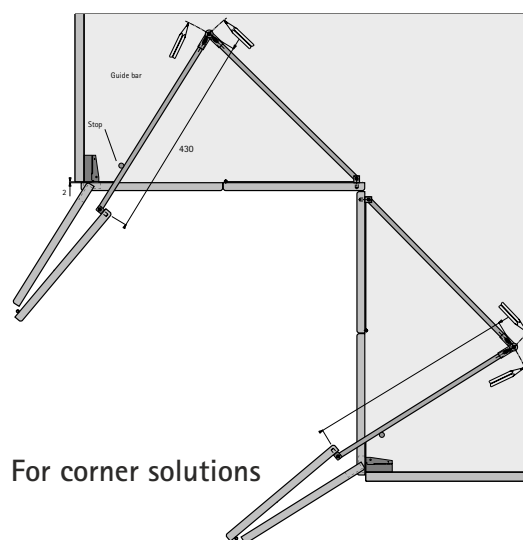


Operating principle



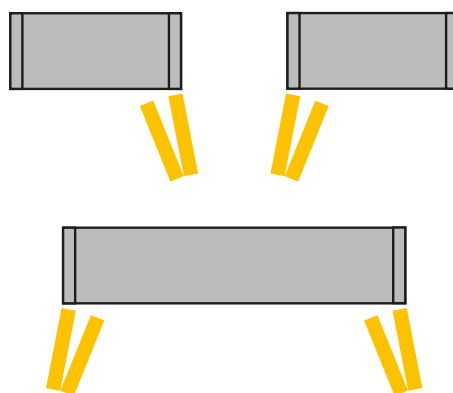
- ▶ For one folding door with 2 panels
- ▶ Overlay door position
- ▶ For wooden doors or wood/aluminum-framed doors
- ▶ Suitable for use with soft-closing sensys hinge
- ▶ Door panel weight depends on hinges
- ▶ Door height up to 2200 mm
- ▶ Door panel width up to 300 mm
- ▶ Opening angle up to 170°
- ▶ Guide bar mounted on top panel
- ▶ Guide bar only approx. 10 mm thick
- ▶ Tested with 40000 cycles

Set contains fittings and centre folding hinge



For corner solutions

Number of door wings and door position



Set Description	Qty.	Unit	MRP
WingLine 170			
WingLine 170/ 1 Folding Door with 2 Panels/ 16-25 mm Thickness/ 10 kg	1	Set	1,765

For more options, please refer to master catalogue or visit www.hettich.com

For sales enquires & ordering information please contact your nearest Hettich hardware dealer or call our toll-free no.: 1800 209 2096



Technology taken a step further by Hettich

Sliding door system with added value from Hettich. A single movement of the hand synchronously opens and closes two doors in opposite directions. A valuable addition for furniture solutions that impress in design and handling. This reliable system can be used for inset and overlay doors that move either vertically or horizontally.

Vertico fittings move more.



Vertico Mono



Vertico Synchro



KA 5740



Synchronous perfection

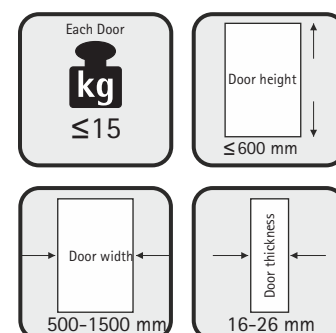
Synchronised opening two vertical doors with one movement: **Vertico Synchro**

■ Unique Features:

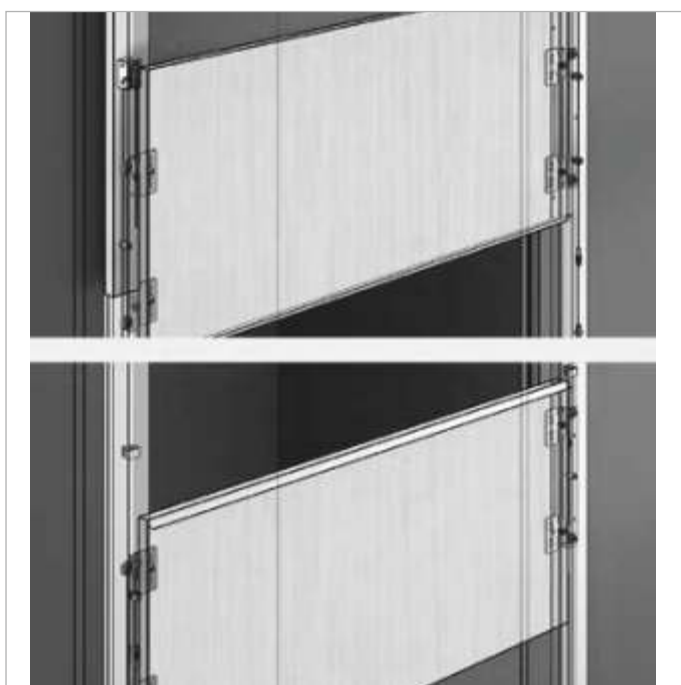
- Door can run in an inset or overlay condition
- Synchronising mechanism of doors in vertical direction

■ Applications:

- Kitchen units for crockery shelves
- Library/book shelf units
- TV units & bar unit



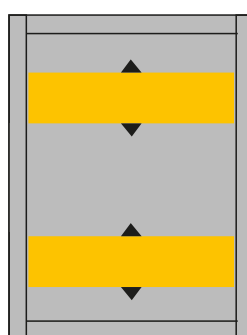
Operating principle



- ▶ One track, vertically running sliding door system
- ▶ Overlay or inset door position
- ▶ For wooden doors or wood/aluminium-framed doors
- ▶ Door weight up to 15 kg
- ▶ Door height 300 - 600 mm
- ▶ Door width up to 1500 mm
- ▶ Length of runner profile 1200 to 2500 mm (can be individually shortened)
- ▶ Tested to EN 15706, Level 2

Set contains fittings and cover profile

Number of door wings and door position



Set Description	Qty.	Unit	MRP
Vertico Synchron			
Vertico Synchron/ 1 Track Vertical Running/ 16-26 mm Thickness/ 15 kg	1	Set	32,461

For more options, please refer to master catalogue or visit www.hettich.com

For sales enquires & ordering information please contact your nearest Hettich hardware dealer or call our toll-free no.: 1800 209 2096



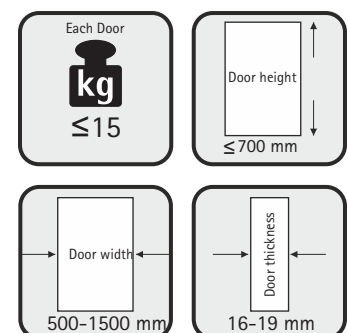
Single door with elegant look and variable movement Vertical sliding system for single door cabinets: **Vertico Mono**

■ Unique Feature:

- Vertical movement of door allows wide scope for attractive design where doors can be made still anywhere in vertical position

■ Applications:

- Suitable for kitchen shelves
- Can be used in living room for showcase
- Used as elegant bar units



Special Sliding Door Systems

▶ Vertico Mono



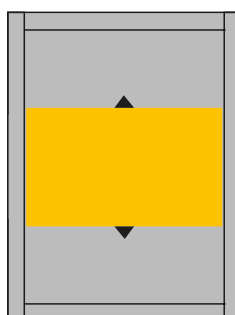
Operating principle/1 folding door with 2 panels



- ▶ One track, vertically running sliding door system
- ▶ Inset door position
- ▶ For wooden doors or wood & aluminium-framed doors
- ▶ Door weight up to 15 kg
- ▶ Door width up to 1500 mm
- ▶ Door height 400-700 mm
- ▶ Length of runner profile (can be shortened as required) 2500 mm
- ▶ Counterweight in individually selectable materials runs behind the carcass rear pane
- ▶ Tested according to EN 15706, Level 3

Set contains fittings and cover profile

Number of door wings and door position



Set Description	Qty.	Unit	MRP
Vertico Mono			
Vertico Mono/ 1 Track Vertical Running/ 16-19 mm Thickness/ 15 kg	1	Set	27,980

For more options, please refer to master catalogue or visit www.hettich.com

For sales enquires & ordering information please contact your nearest Hettich hardware dealer or call our toll-free no.: 1800 209 2096



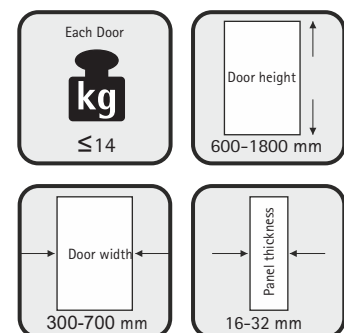
Hindrance-free delight
Retractable door system : KA 5740 (Pocket Sliding System)

■ **Unique Feature:**

- After opening, the door simply disappears inside the carcass

■ **Applications:**

- Used in TV cabinets
- Bar cabinet in hotels
- Showcase unit in living room

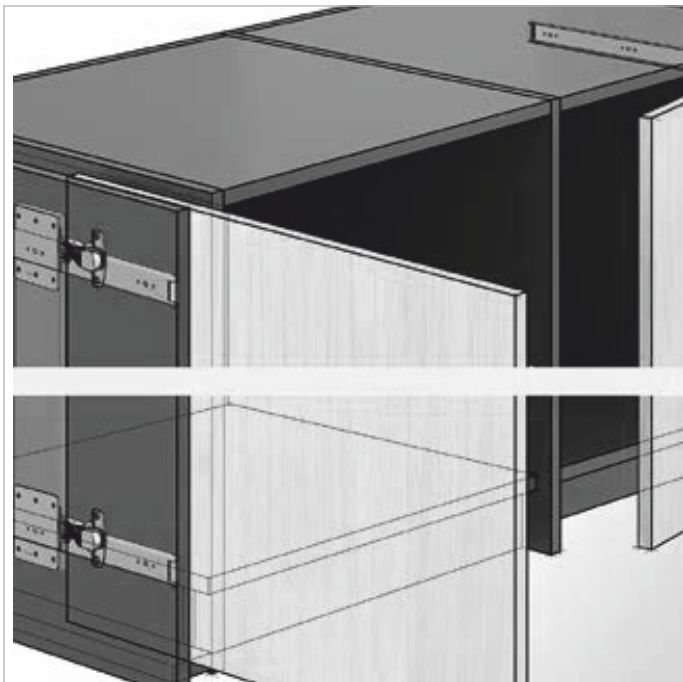


Special Sliding Door Systems

▶ KA 5740 (Pocket Sliding System)

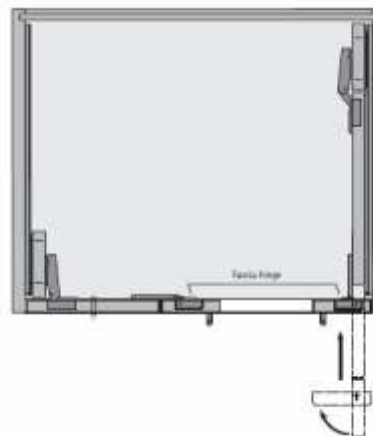


Operating principle

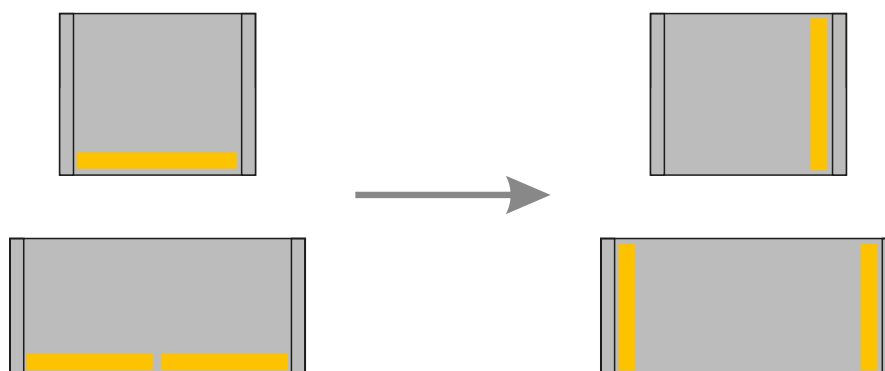


- ▶ Door weight up to 14 kg
- ▶ For wooden doors
- ▶ Door height up to 1800 mm
- ▶ Door width 300 - 700 mm
- ▶ Door thickness max. 16 - 32 mm
- ▶ With roll-out prevention
- ▶ Tested to ANSI/BIFMA X5.5
- ▶ Face frame hinge with spring system to be ordered separately

Set contains runner and accessory kit



Number of door wings and door position



Set Description	Qty.	Unit	MRP
KA 5740			
KA 5740/ 300 mm/ 16-32 mm Thickness/ 14 kg	1	Set	1,480
KA 5740/ 350 mm/ 16-32 mm Thickness/ 14 kg	1	Set	1,697
KA 5740/ 400 mm/ 16-32 mm Thickness/ 14 kg	1	Set	1,771
KA 5740/ 450 mm/ 16-32 mm Thickness/ 14 kg	1	Set	1,824
KA 5740/ 500 mm/ 16-32 mm Thickness/ 14 kg	1	Set	1,893
KA 5740/ 550 mm/ 16-32 mm Thickness/ 14 kg	1	Set	1,951
KA 5740/ 600 mm/ 16-32 mm Thickness/ 14 kg	1	Set	2,020
KA 5740/ 650 mm/ 16-32 mm Thickness/ 14 kg	1	Set	1,932
KA 5740/ 700 mm/ 16-32 mm Thickness/ 14 kg	1	Set	2,152

For more options, please refer to master catalogue or visit www.hettich.com

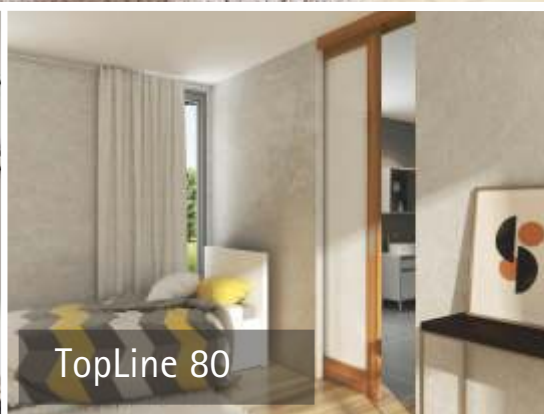
For sales enquires & ordering information please contact your nearest Hettich hardware dealer or call our toll-free no.: 1800 209 2096



The smart way to slide into a new space

Room divider sliding door solutions from Hettich provide a range of options to create a new space within an existing space. This system enables one to move even the heaviest of doors with considerable ease. Moreover, it provides unobstructed access to space while making the doors inconspicuous.

Making sliding heavy doors, a child's play.





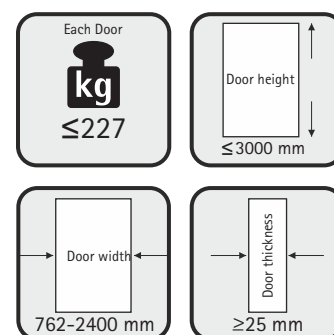
Experience exceptional stability Sliding system for extra heavy room dividers: **Grant XHD**

■ Unique Feature:

- Heavy duty sliding folding door system for walk-in wardrobes and partition doors for weight upto 227 kg per panel

■ Applications:

- Space dividers in kitchen and dining room
- Heavy sliding for walk in wardrobes

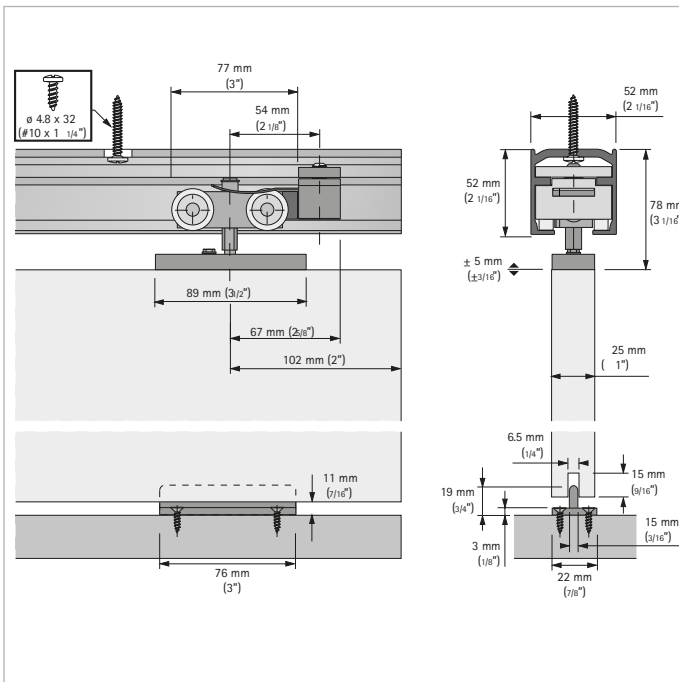


Room Divider Sliding Door Systems

▶ Grant XHD



Operating principle

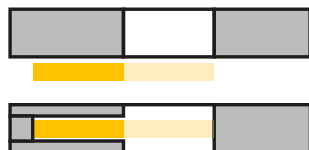


- ▶ The TopLine Grant XHD series is a heavy duty line of sliding door hardware recommended for design applications which require the movement of heavy panels, space dividers or large doors.
- ▶ Precision ball bearing wheels ensure a smooth, quiet, and long lasting performance even under full load capacity
- ▶ Self-leveling design allows for even distribution of load for maximum performance and durability
- ▶ 3/8" (10 mm) vertical adjustment; minimal headroom required
- ▶ Heavy duty aluminium box track
- ▶ Outstanding performance and durability
- ▶ Meets and/or exceeds ANSI/BHMA standards
- ▶ Weight Capacity: 227 kg

Set contains runner track and hardware set

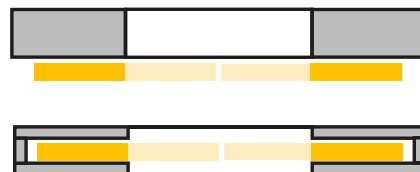
Number of door wings and door position

Single



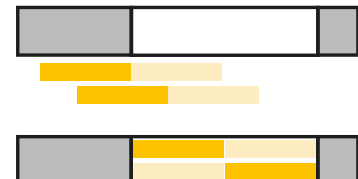
Bi-parting

Use additional set of hardware



By-passing

Mounting two parallel tracks



Set Description	Qty.	Unit	MRP
Grant XHD			
Grant XHD/ 12 feet/ Standard/ 25 mm Thickness/ 227 kg	1	Set	47,608

For more options, please refer to master catalogue or visit www.hettich.com

For sales enquires & ordering information please contact your nearest Hettich hardware dealer or call our toll-free no.: 1800 209 2096



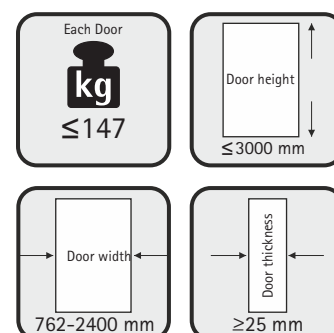
Make sliding heavy doors, a child's play. Soft opening & soft closing system for heavy room dividers: **Grant HD**

■ Unique Feature:

- Heavy duty sliding door system for walk-in wardrobes & partition doors for weight up to 147 kg per panel with soft opening & soft closing feature

■ Applications:

- Space dividers in kitchen and dining room
- Heavy sliding doors in walk in wardrobes
- Wall mount or header mount solutions

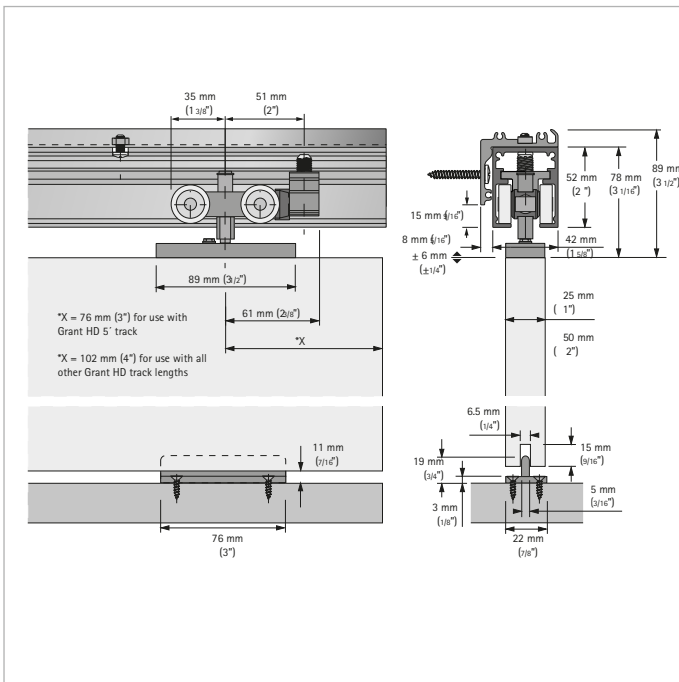


Room Divider Sliding Door Systems

▶ Grant HD



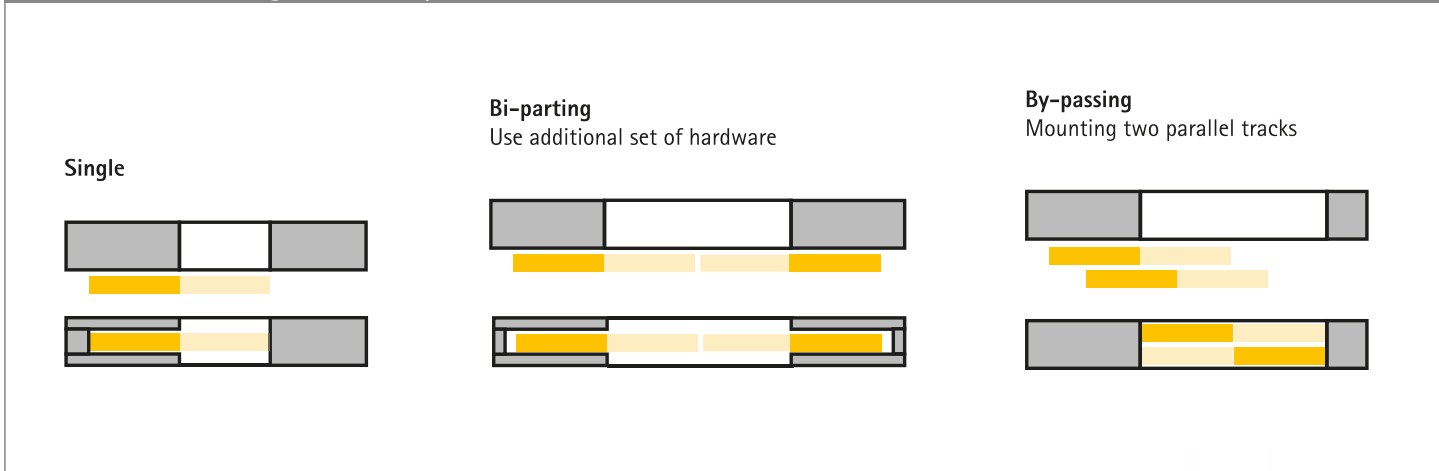
Operating principle



- ▶ The TopLine Grant HD series is a heavy duty commercial and residential grade sliding door hardware series ideal for single and bi-parting installations. Applications include doors between rooms, closet doors, cabinets and storage walls.
- ▶ Soft closing, soft opening
- ▶ Precision ball bearing wheels ensure a smooth, quiet and long lasting performance
- ▶ Self-leveling design allows for even distribution of load for maximum performance and durability
- ▶ 1/2" (12 mm) vertical adjustment; minimal headroom required
- ▶ Heavy duty aluminium box track
- ▶ Cushioned end stops holds door in place
- ▶ Wall mount bracket available
- ▶ Fascia available
- ▶ Meets and/or exceeds ANSI/BHMA standards
- ▶ Weight Capacity: 147 kg

Set contains runner track, hardware set, silent system and end cap

Number of door wings and door position



Set Description	Qty.	Unit	MRP
Grant HD			
Grant HD/ 8 feet/ Standard/ 25 mm Thickness/ 147 kg/ With Silent System (Both soft closing & soft opening)	1	Set	48,443
Grant HD/ 8 feet/ Low Profile/ 25 mm Thickness/ 147 kg/ With Silent System (Both soft closing & soft opening)	1	Set	71,636
Grant HD/ 10 feet/ Standard/ 25 mm Thickness/ 147 kg/ With Silent System (Both soft closing & soft opening)	1	Set	50,139
Grant HD/ 10 feet/ Low Profile/ 25 mm Thickness/ 147 kg/ With Silent System (Both soft closing & soft opening)	1	Set	73,332
Grant HD/ 12 feet/ Standard/ 25 mm Thickness/ 147 kg/ With Silent System (Both soft closing & soft opening)	1	Set	53,016
Grant HD/ 12 feet/ Low Profile/ 25 mm Thickness/ 147 kg/ With Silent System (Both soft closing & soft opening)	1	Set	76,209

For more options, please refer to master catalogue or visit www.hettich.com

For sales enquires & ordering information please contact your nearest Hettich hardware dealer or call our toll-free no.: 1800 209 2096



Slide into a new space effortlessly

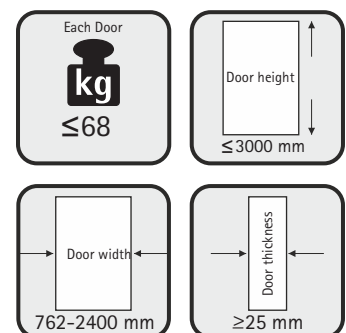
Advanced soft opening & closing sliding system for room dividers: **Grant SD**

■ Unique Feature:

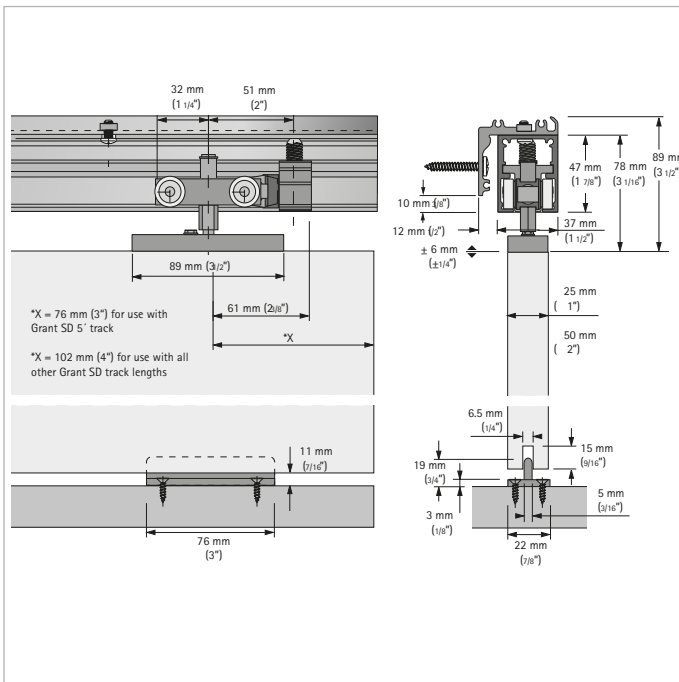
- Heavy duty sliding door system for walk-in wardrobes & partition doors for weight upto 68 kg per panel with soft opening & soft closing feature

■ Applications:

- Bi-parting doors in kitchen and dining room
- Heavy sliding system in walk in wardrobes



Operating principle

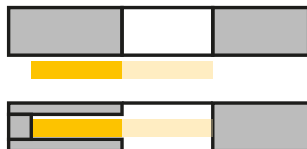


- ▶ The TopLine Grant SD series is a medium duty commercial and residential grade sliding door hardware series ideal for single and bi-parting installations. Applications include doors between rooms, closet doors, cabinets and storage walls.
- ▶ Soft closing, soft opening
- ▶ Precision ball bearing wheels ensure a smooth, quiet and long lasting performance
- ▶ Self-leveling design allows for even distribution of load for maximum performance and durability
- ▶ 1/2" (12 mm) vertical adjustment; minimal headroom required
- ▶ Aluminium box track
- ▶ Cushioned end stops holds door in place
- ▶ Wall mount bracket available
- ▶ Fascia available
- ▶ Meets and/or exceeds ANSI/BHMA standards
- ▶ Weight Capacity: 68 kg

Set contains runner track, hardware set, silent system and end cap

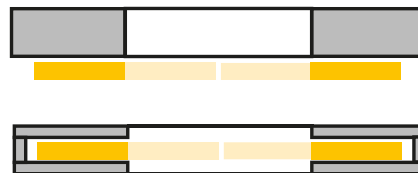
Number of door wings and door position

Single



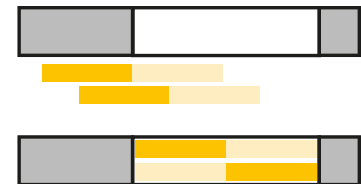
Bi-parting

Use additional set of hardware



By-passing

Mounting two parallel tracks



Set Description	Qty.	Unit	MRP
Grant SD			
Grant SD/ 8 feet/ Standard/ 25 mm Thickness/ 68 kg/ With Silent System (Both soft closing & soft opening)	1	Set	49,782
Grant SD/ 8 feet/ Low Profile/ 25 mm Thickness/ 68 kg/ With Silent System (Both soft closing & soft opening)	1	Set	73,953
Grant SD/ 10 feet/ Standard/ 25 mm Thickness/ 68 kg/ With Silent System (Both soft closing & soft opening)	1	Set	46,635
Grant SD/ 10 feet/ Low Profile/ 25 mm Thickness/ 68 kg/ With Silent System (Both soft closing & soft opening)	1	Set	70,806
Grant SD/ 12 feet/ Standard/ 25 mm Thickness/ 68 kg/ With Silent System (Both soft closing & soft opening)	1	Set	49,784
Grant SD/ 12 feet/ Low Profile/ 25 mm Thickness/ 68 kg/ With Silent System (Both soft closing & soft opening)	1	Set	73,955

For more options, please refer to master catalogue or visit www.hettich.com

For sales enquires & ordering information please contact your nearest Hettich hardware dealer or call our toll-free no.: 1800 209 2096



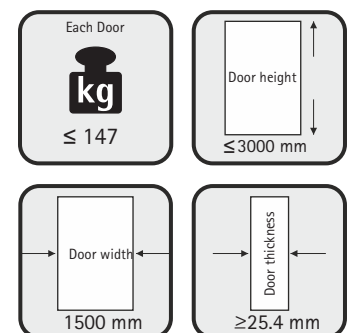
Effortless movement of heavy duty doors Heavy sliding door system for room dividers: **Grant 1230**

■ Unique Feature:

- Heavy commercial and residential grade sliding for by parting and by passing door

■ Applications:

- Used as space dividers at gym/balcony/pooja room in home
- Perfect for heavy sliding doors

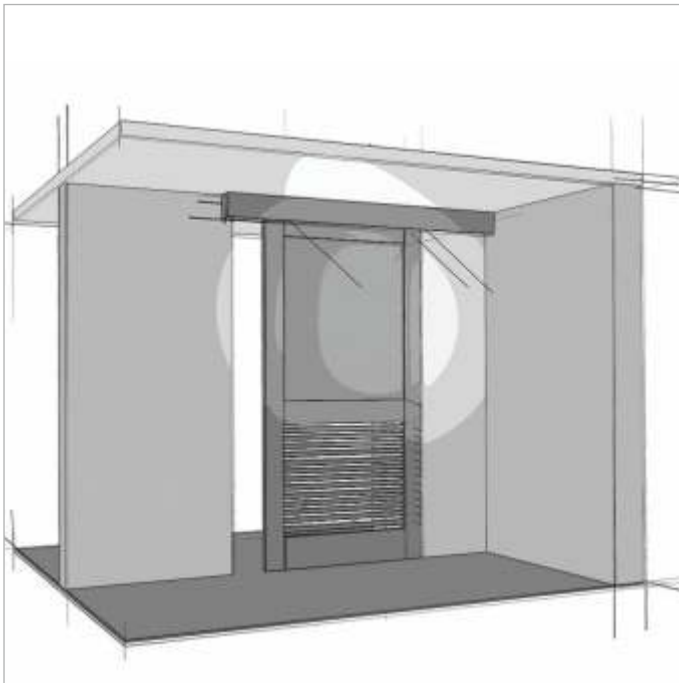


Room Divider Sliding Door Systems

► Grant 1230



Operating principle



Specifications:

Mounting: Top

Adjustment: 2" (12.7 mm) vertical

Door thickness: 1" (25.4 mm) min.

Headroom: 31/4" (82.5 mm) min., 33/4" (92.5 mm) max.

Application: Single, bi-parting & by-passing

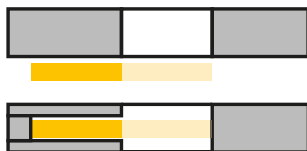
- For doors 1" and up weighing up to 147 kg per/door
- Precision ball-bearing wheels guarantee a smooth, quiet and effortless operation
- Four wheel carrier, centre hung for efficient operation
- Vertical adjustment $\pm 1/4"$ (6.4 mm)
- Heavy duty aluminum I-beam track; jump proof design
- Conforms to ANSI/BHMA standards, Grade 1
- For by-passing doors mount parallel tracks
- For bi-parting doors use an additional set of hardware

Set contains fittings, runner profile, bumper stop and floor guide



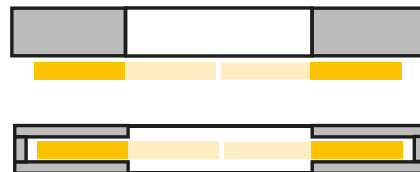
Number of door wings and door position

Single



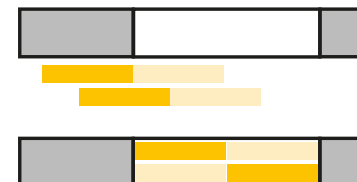
Bi-parting

Use additional set of hardware



By-passing

Mounting two parallel tracks



Set Description	Qty.	Unit	MRP
Grant 1230			
Grant 1230/ 3000 mm/ 25.4 mm Thickness/ 147 kg	1	Set	14,798
Grant 1230/ 3600 mm/ 25.4 mm Thickness/ 147 kg	1	Set	17,052

For more options, please refer to master catalogue or visit www.hettich.com

For sales enquires & ordering information please contact your nearest Hettich hardware dealer or call our toll-free no.: 1800 209 2096



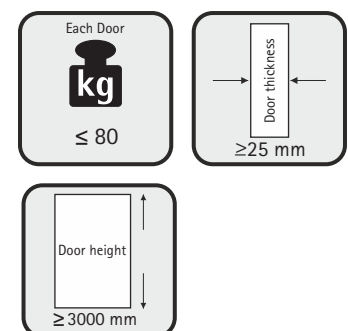
Move heavy doors with effortless ease Heavy sliding folding door system for room dividers: **Grant 1260**

■ Unique Feature:

- Heavy duty sliding folding door system for walk-in wardrobes and partition doors for weight upto 80 kg per panel

■ Applications:

- Space dividers in kitchen and dining room.
- Heavy sliding folding for 2 or 4 doors in walk in wardrobes

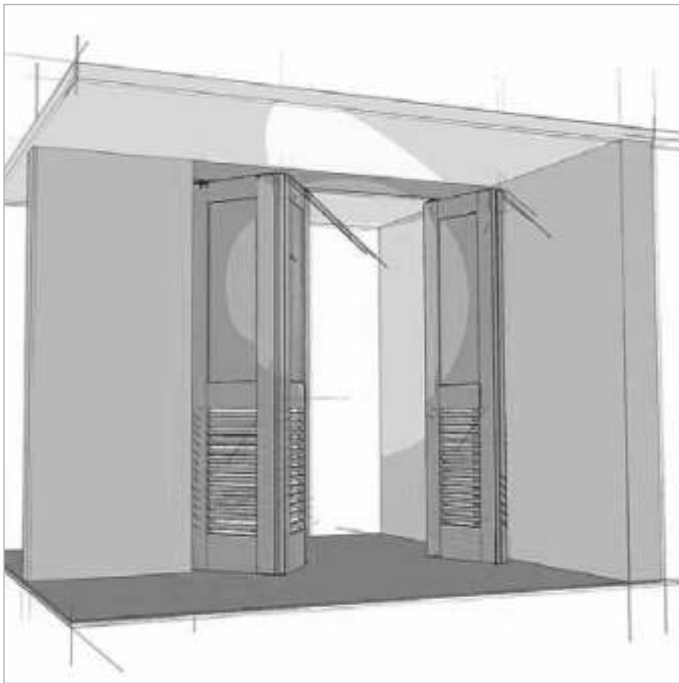


Room Divider Sliding Door Systems

▶ Grant 1260



Operating principle



Specifications:

Mounting: Top

Adjustment: 1/2" (12.7 mm) vertical

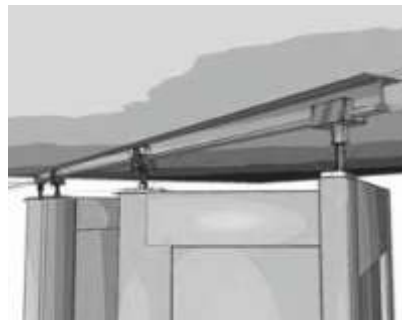
Door thickness: 1" (25.4 mm) min.

Headroom: 3 1/4" (82.5 mm) min., 3 3/4" (95.2 mm) max.

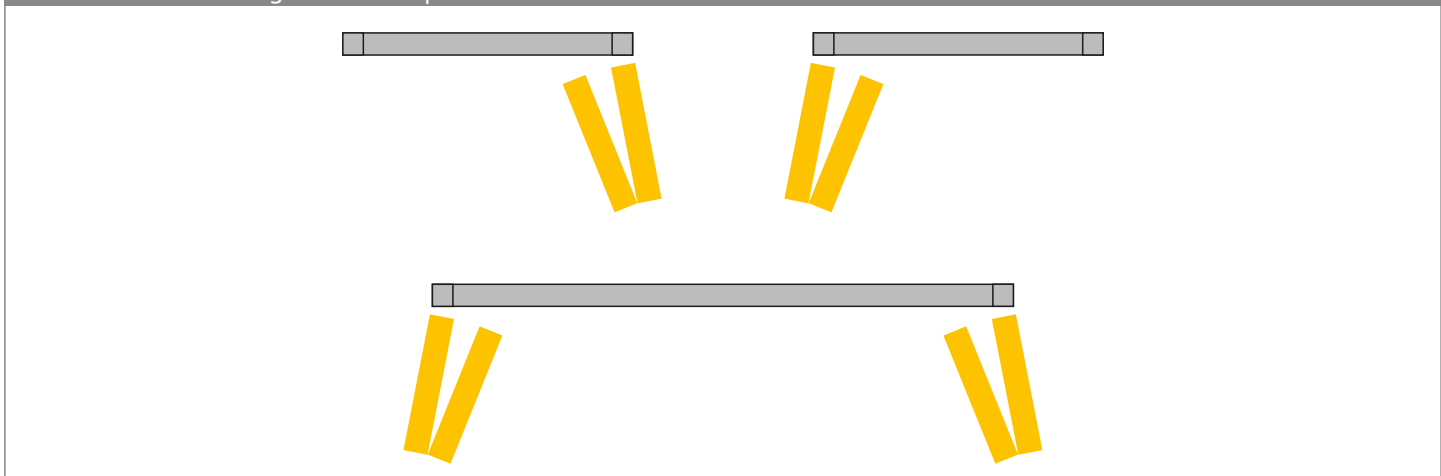
Application: Bi-fold

- ▶ For door panels 1" (25.4 mm) minimum and up
- ▶ For doors weighing up to 175 lbs [80 kg] per panel
- ▶ 4 wheel carrier with precision ball bearing wheels for quiet, effortless operation
- ▶ Aluminum track up to 3600 mm
- ▶ Pre-drilled track for easy installation
- ▶ One-way or bi-parting sets available
- ▶ Conforms to ANSI/BHMA standards

Set contains fittings, runner profile, guide profile and guide rollers



Number of door wings and door position



Set Description	Qty.	Unit	MRP
Grant 1260			
Grant 1260/ 3000 mm/ 25 mm Thickness/ 80 kg	1	Set	20,860
Grant 1260/ 3600 mm/ 25 mm Thickness/ 80 kg	1	Set	23,298

For more options, please refer to master catalogue or visit www.hettich.com

For sales enquires & ordering information please contact your nearest Hettich hardware dealer or call our toll-free no.: 1800 209 2096



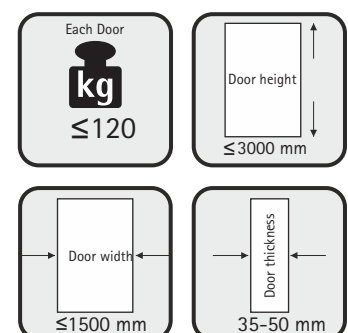
Slide into a new space silently & effortlessly Heavy duty soft close sliding door system for room dividers: **TopLine 120 SiSy**

■ Unique Features:

- Top running heavy duty sliding door system with soft closing on both side for wooden doors or wooden framed doors
- No bottom profile required

■ Application:

- Can be used as room divider in kitchen/pooja room/balcony/ bathroom area/utility & storage areas

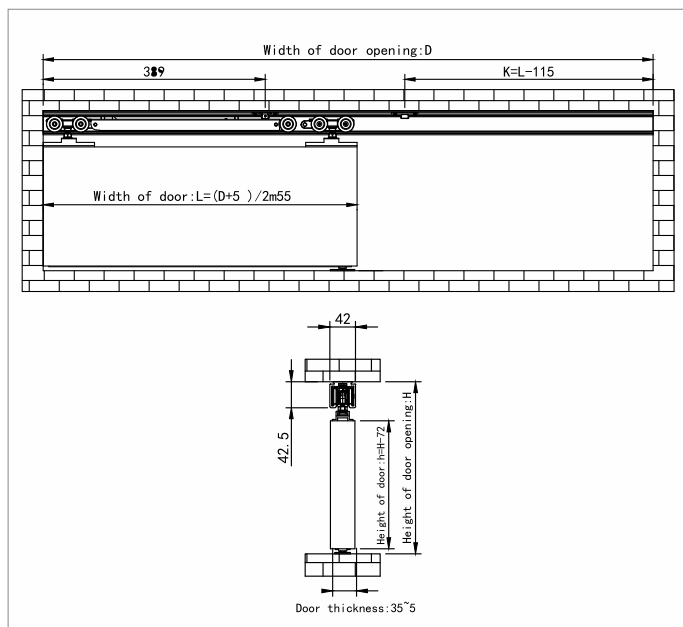


Room Divider Sliding Door Systems

▶ TopLine 120 SiSy



Operating principle



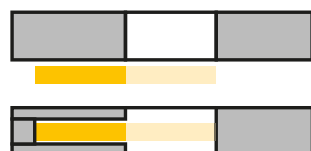
- ▶ Top running sliding door system
- ▶ Inset door system with soft opening & closing system
- ▶ For wooden & wooden framed door
- ▶ Door width max. 1500 mm
- ▶ Door weight max. 120 Kg/door
- ▶ Door thickness 35-50 mm
- Set comprises of:
 - ▶ Runner profile 3000 mm silver anodized finish
 - ▶ Bottom guide
 - ▶ Hanging sliding system kit with opening & closing damper

Set contains fittings with silent system and runner profile



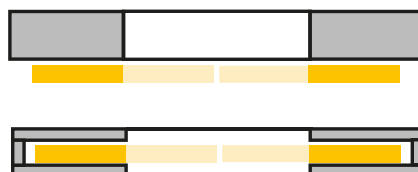
Number of door wings and door position

Single



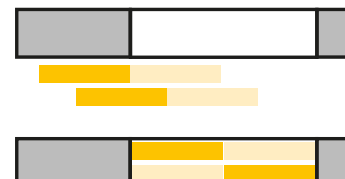
Bi-parting

Use additional set of hardware



By-passing

Mounting two parallel tracks



Set Description	Qty.	Unit	MRP
TopLine 120 SiSy			
TopLine 120 SiSy/ 3000 mm/ 35-50 mm Thickness/ 120 kg/ With Silent System (Both soft closing & soft opening)	1	Set	13,969

For more options, please refer to master catalogue or visit www.hettich.com

For sales enquires & ordering information please contact your nearest Hettich hardware dealer or call our toll-free no.: 1800 209 2096



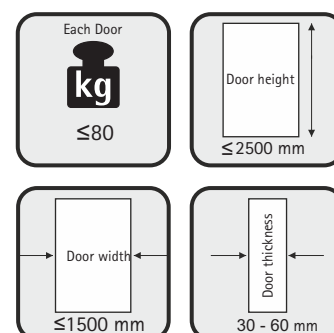
Slide your way to a new space silently Soft close sliding door system for room dividers: **TopLine 80 SiSy**

■ Unique Features:

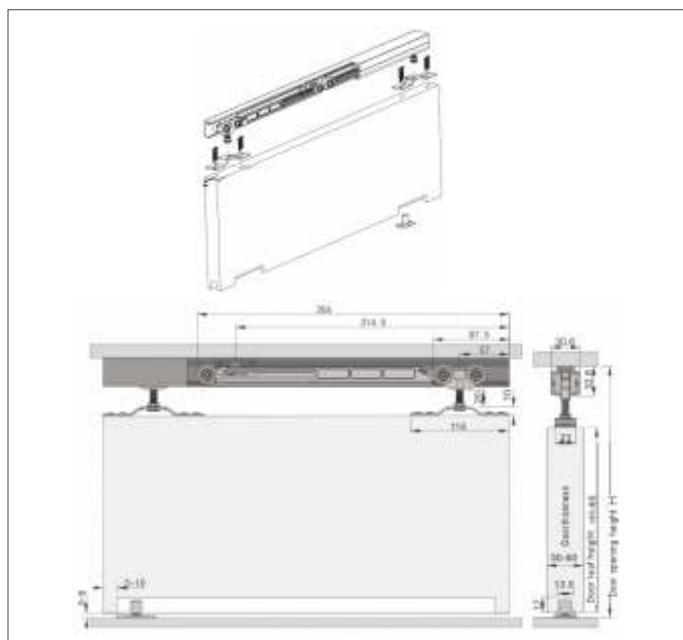
- Top running sliding door system with soft closing on both side for wooden doors or wooden framed doors
- No bottom profile required

■ Application:

- Can be used as room divider in kitchen/pooja room/balcony/storage areas



Operating principle



- ▶ Top running sliding door system
- ▶ Inset door system with soft opening and soft closing
- ▶ For wooden or wooden framed door
- ▶ Door width Min. 750 mm
- ▶ Door width Max. 1500 mm
- ▶ Door weight max 80kg/per door
- ▶ Door height up to - 2500 mm
- ▶ Door thickness - 30-60mm
- ▶ Angle Profile Accs. for wall mounting of runner profile

Set Comprises of:

- ▶ Runner profile (2000 mm/3000mm)
- ▶ Bottom guide
- ▶ Hanging sliding system Kit with opening Et closing damper
- ▶ Angle profile accessory for wall hanging of runner profile

Set contains fittings with silent system and runner profile

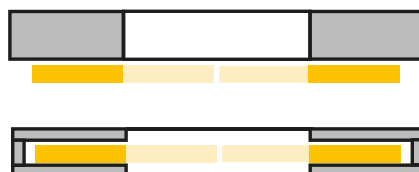
Number of door wings and door position

Single



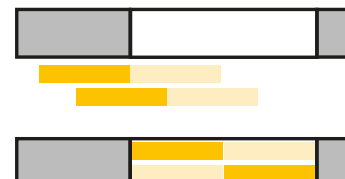
Bi-parting

Use additional set of hardware



By-passing

Mounting two parallel tracks



Set Description	Qty.	Unit	MRP
TopLine 80 SiSy			
TopLine 80 SiSy/ 2000 mm/ 30-60 mm Thickness/ 80 kg/ With Silent System (Both soft closing Et soft opening)	1	Set	6,734
TopLine 80 SiSy/ 3000 mm/ 30-60 mm Thickness/ 80 kg/ With Silent System (Both soft closing Et soft opening)	1	Set	7,438

For more options, please refer to master catalogue or visit www.hettich.com

For sales enquires Et ordering information please contact your nearest Hettich hardware dealer or call our toll-free no.: 1800 209 2096



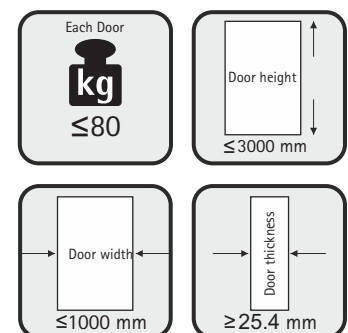
Slide your way to a new space easily Easy to Install sliding door system for room dividers: **TopLine 80**

■ Unique Features:

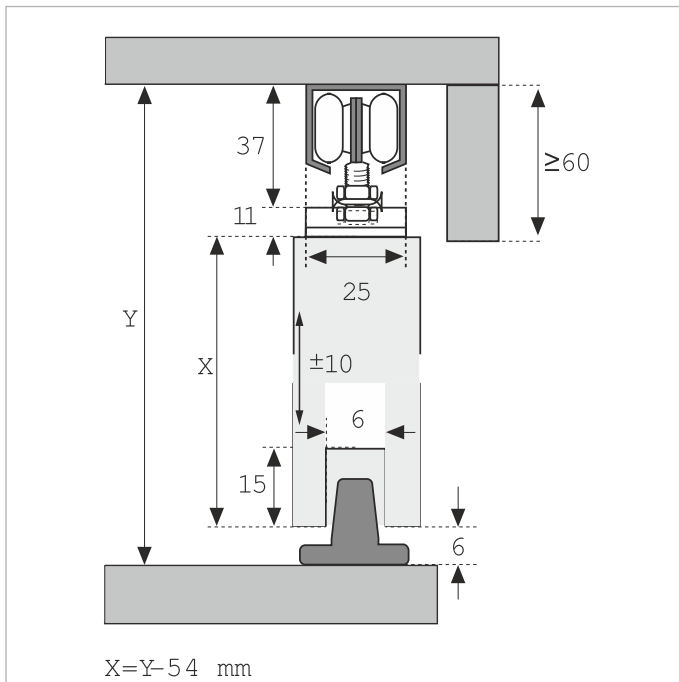
- Top running sliding door system for wooden doors or wooden framed doors
- No bottom profile required

■ Application:

- Can be used as room divider in kitchen/pooja room/balcony/storage areas



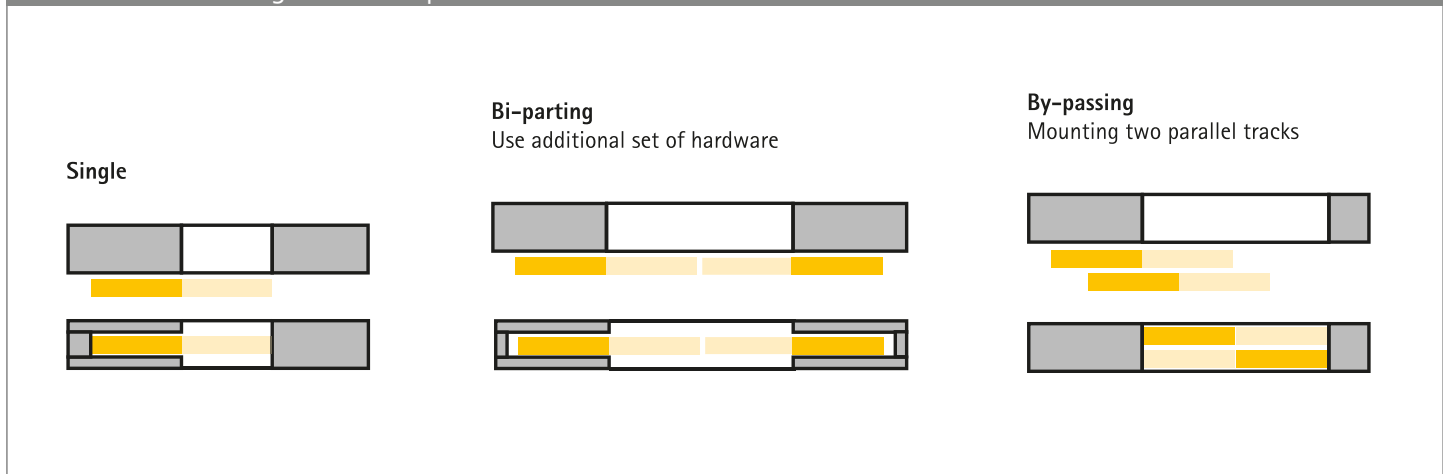
Operating principle



- ▶ Top-running sliding door system
- ▶ Inset door position
- ▶ For wooden doors or wood-framed doors
- ▶ Door weight 80 kg max
- ▶ Max door width 1000 mm
- ▶ Max door height 3000 mm
- ▶ Door thickness - min. 25.4 mm

Set contains fittings and runner profile

Number of door wings and door position



Set Description	Qty.	Unit	MRP
TopLine 80			
TopLine 80/ 2000 mm/ 25.4 mm Thickness/ 80 kg	1	Set	5,861
TopLine 80/ 3000 mm/ 25.4 mm Thickness/ 80 kg	1	Set	6,904

For more options, please refer to master catalogue or visit www.hettich.com

For sales enquires & ordering information please contact your nearest Hettich hardware dealer or call our toll-free no.: 1800 209 2096



Accessorize your wardrobe

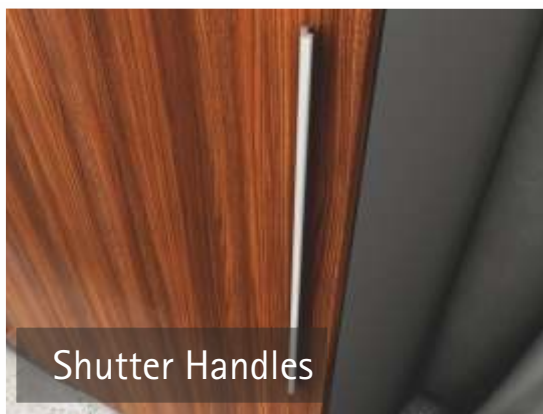
Hettich wardrobe accessories provide a good blend of aesthetics and functionality to the wardrobes. Choose from a range of wardrobe accessories comprising of aluminium profiles, LED lights, shutter handles, lock solutions etc. to impart a sleek and elegant look.



Aluminium Profiles



Magic Lights



Shutter Handles



Lock Solutions

Adjustment fitting, plastic

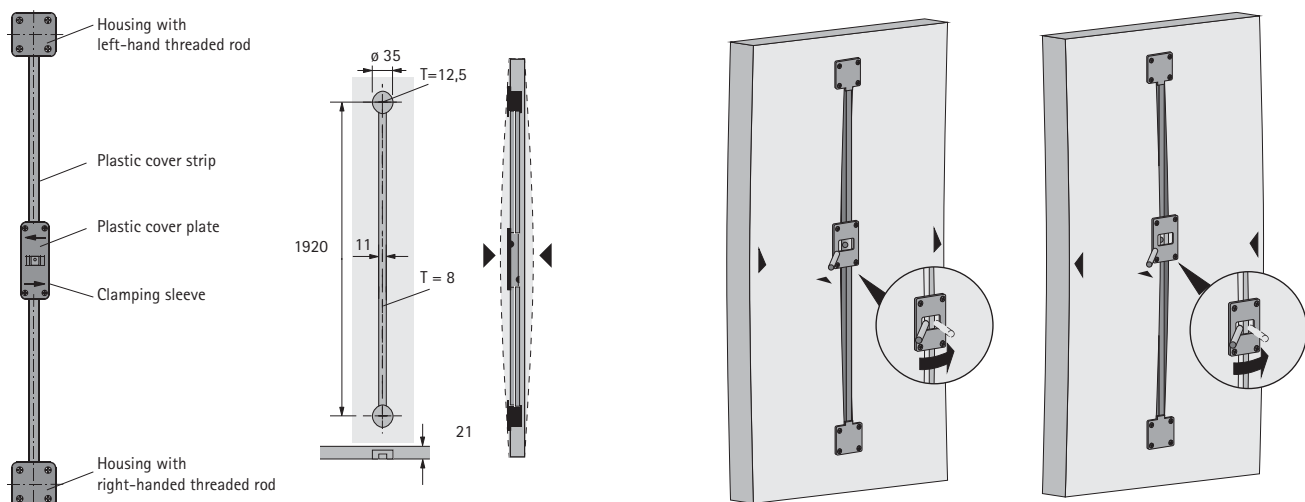


- ▶ Straightens doors in thicknesses over 16 mm and heights up to 2600 mm
- ▶ The adjustment fitting can also be used to prevent the door from warping
- ▶ It is recommended to use 2 fittings per door
- ▶ Installing the fitting is simple and straightforward: a pair of threaded rods, one with a right-hand thread and one with a left-hand thread, are fed into a clamping sleeve
- ▶ Each of the threaded rods is additionally supported in a housing that slots into a 35 mm hole where it is screwed into place
- ▶ Turning the clamping sleeve produces tensile or compressive force that corrects warping or bowing
- ▶ Housing, clamping sleeve and threaded rods are covered to prevent damage to garments and laundry

Set comprises:

- ▶ 1 housing with right-hand threaded bar
- ▶ 1 housing with left-hand threaded bar
- ▶ 1 clamping sleeve
- ▶ 1 plastic cover plate
- ▶ 2 plastic cover strips
- ▶ 2 retainers for cover strips

Technical information



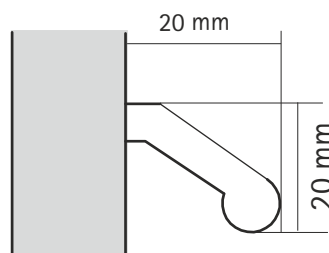
Article No.	Set Description	Qty.	Unit	PU	MRP
Door bend adjustment set					
45198	Door Bend Adjustment Rod Fitting - Plastic	1	Set	1	1,078

Calisia



Features

- ▶ Profile length: 1950 mm
- ▶ Finish : Silver



Article No.	Set Description	Qty.	Unit	PU	MRP
9125763	Calisia Handle Profile, 1950 mm	01	Pc	08	2,220

Wardrobe Accessories

► Aluminium Profiles for Shutters



Product	Product Section	Glass Thickness	Width	Finish	Article No.	SAP	Unit	PU	MRP	HS Code
19 mm Straight Frame Profile 3000 mm		4 mm	19 mm	SA	9288843	9288843	Pc	4	1,320	76042990
				SS	9307821	9307821	Pc	4	1,850	76042990
				BL	9307822	9307822	Pc	4	2,110	76042990
				CP	9307823	9307823	Pc	4	1,980	76042990
19 mm Straight Frame Profile with handle 3000 mm		4 mm	19 mm	SA	9283472	9283472	Pc	4	1,680	76042990
				SS	9307824	9307824	Pc	4	2,350	76042990
				BL	9307825	9307825	Pc	4	2,690	76042990
				CP	9307826	9307826	Pc	4	2,520	76042990
45 mm Straight Frame Profile 3000 mm		4 mm	45 mm	SA	9283473	9283473	Pc	4	2,650	76042990
				SS	9307827	9307827	Pc	4	3,710	76042990
				BL	9307828	9307828	Pc	4	4,240	76042990
				CP	9307829	9307829	Pc	4	3,980	76042990
45 mm Straight Frame Profile with L Handle 3000 mm		4 mm	45 mm	SA	9283485	9283485	Pc	4	3,460	76042990
				SS	9307830	9307830	Pc	4	4,840	76042990
				BL	9307847	9307847	Pc	4	5,530	76042990
				CP	9307848	9307848	Pc	4	5,190	76042990
45 mm Straight Frame Profile with C Handle 3000 mm		4 mm	45 mm	SA	9283474	9283474	Pc	4	3,290	76042990
45 mm Straight Frame Profile with F Handle 3000 mm		4 mm	45 mm	SA	9283494	9283494	Pc	4	3,190	76042990
				SS	9307849	9307849	Pc	4	4,270	76042990
				BL	9307851	9307851	Pc	4	4,880	76042990
				CP	9307852	9307852	Pc	4	4,780	76042990
45 mm Straight Frame Profile 3000 mm		6 mm	45 mm	SA	9283490	9283490	Pc	4	2,210	76042990
45 mm Straight Frame Profile with L Handle 3000 mm		6 mm	45 mm	SA	9283493	9283493	Pc	4	2,970	76042990
45 mm Straight Stick-On Frame Profile 3000 mm		4 mm	45 mm	SA	9283488	9283488	Pc	4	2,140	76042990
				SS	9302252	9302252	Pc	4	2,990	76042990
				BL	9302253	9302253	Pc	4	3,420	76042990
				CP	9302254	9302254	Pc	4	3,210	76042990

• SA - Silver finish • SS - Stainless steel finish • BL - Black finish • CP - Chrome finish

Wardrobe Accessories

▶ Aluminium Profiles for Shutters



Product	Product Section	Glass Thickness	Width	Finish	Article No.	SAP	Unit	PU	MRP	HS Code
45 mm Straight Stick-On Frame Profile with L handle 3000 mm		4 mm	45 mm	SA	9283487	9283487	Pc	4	2,900	76042990
				SS	9302229	9302229	Pc	4	4,050	76042990
				BL	9302230	9302230	Pc	4	4,630	76042990
				CP	9302251	9302251	Pc	4	4,340	76042990
45 mm Straight Frameless Stick on Profile 3000 mm		4 mm	45 mm	SA	9306110	9306110	Pc	4	2,170	76042990
				SS	9306161	9306161	Pc	4	3,030	76042990
				BL	9306163	9306163	Pc	4	3,460	76042990
				CP	9306162	9306162	Pc	4	3,250	76042990
45 mm Straight Frameless Stick on Handle Profile 3000 mm		4 mm	45 mm	SA	9306164	9306164	Pc	4	2,770	76042990
				SS	9306165	9306165	Pc	4	3,870	76042990
				BL	9306167	9306167	Pc	4	4,420	76042990
				CP	9306166	9306166	Pc	4	4,150	76042990
55 mm Straight Frame Profile 3000 mm		4 mm	55 mm	SA	9288842	9288842	Pc	4	2,650	76042990
				SS	9307853	9307853	Pc	4	3,710	76042990
				BL	9307854	9307854	Pc	4	4,240	76042990
				CP	9307855	9307855	Pc	4	3,980	76042990
55 mm Straight Frame Profile with C Handle 3000 mm		4 mm	55 mm	SA	9288844	9288844	Pc	4	3,270	76042990
				SS	9307856	9307856	Pc	4	4,580	76042990
				BL	9307857	9307857	Pc	4	5,230	76042990
				CP	9307858	9307858	Pc	4	4,900	76042990
55 mm Curved Frame Profile 3000 mm		4 / 5 mm	55 mm	SA	9288848	9288848	Pc	4	3,240	76042990
55 mm Straight Frame Profile 3000 mm		8 mm	55 mm	SA	9283491	9283491	Pc	4	2,510	76042990
55 mm Straight Frame Profile with F Handle 3000 mm		8 mm	55 mm	SA	9283495	9283495	Pc	4	3,100	76042990
Angle Connector Set (For all aluminum profiles)		1 Set Consists of 4 connectors & 8 screws			9303247	9303247	Set	30	142	83024200

• SA - Silver finish • SS - Stainless steel finish • BL - Black finish • CP - Chrome finish

Wardrobe Accessories

► Aluminium Profiles for Shutters



Item Description	Profile Section	Suitable for (mm)	Width (mm)	Finish	Article No.	SAP	Unit	PU	MRP	HS Code
Midway Profile										
Mid Way Joining profile 3000 mm		4 & 5 mm	16 mm	SA	9283496	9283496	Pc	8	1,250	76042990
				SS	9307861	9307861	Pc	8	1,830	76042990
				BL	9307862	9307862	Pc	8	1,880	76042990
				CP	9307863	9307863	Pc	8	1,830	76042990
Connector Set for Mid Way Joining Profile					9308603	9308603	Pc	10	106	76042990

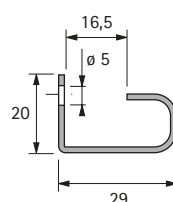
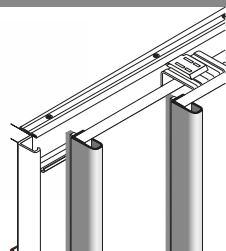


- SA - Silver finish
- SS - Stainless steel finish
- BL - Black finish
- CP - Chrome finish

Advantages:

- ▶ Automatically prevents door longitudinal bending
- ▶ Provide structure to doors
- ▶ No need of edge bending
- ▶ Easy to assemble the door

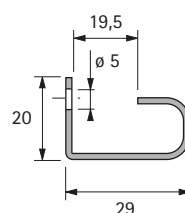
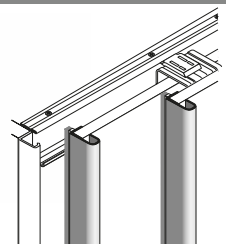
Door profile



- ▶ Predrilled
- ▶ For door thicknesses of 15-16 mm

Material	Finish	Length mm	Quantity for 2-door	Quantity for 3-door	Article no.	PU	MRP
Aluminium	Silver anodized	2050	3	4	9117416*	1 ea.	2,061
Aluminium	Silver anodized	2500	3	4	9130038*	1 ea.	2,400

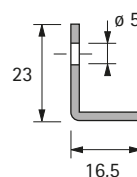
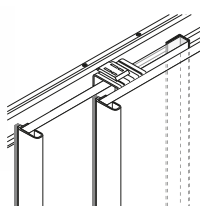
Door profile



- ▶ Predrilled
- ▶ For door thicknesses of 18-19 mm

Material	Finish	Length mm	Quantity for 2-door	Quantity for 3-door	Article no.	PU	MRP
Aluminium	Silver anodized	2050	3	4	9136107*	1 ea.	2,787
Aluminium	Silver anodized	2500	3	4	9136121	1 ea.	2,089

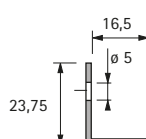
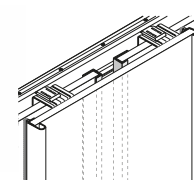
Door end profile, L shaped



- ▶ Predrilled
- ▶ For door thicknesses of 15-16 mm

Material	Finish	Length mm	Quantity for 2-door	Article no.	PU	MRP
Aluminium	Silver anodized	2050	1	9117418*	1 ea.	2,098
Aluminium	Silver anodized	2500	1	9136123*	1 ea.	2,531

Door end profile, U shaped



- ▶ Predrilled
- ▶ For door thicknesses of 15-16 mm

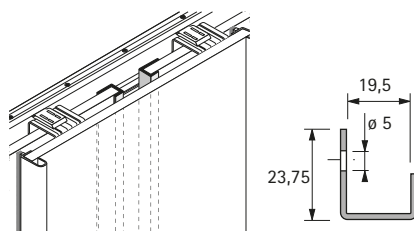
Material	Finish	Length mm	Quantity for 3-door	Article no.	PU	MRP
Aluminium	Silver anodized	2050	2	9117420*	1 ea.	1,725
Aluminium	Silver anodized	2500	2	9130062*	1 ea.	2,000

*Product available on request

Door end profile, U shaped



- Predrilled
- For door thicknesses of 18-19 mm

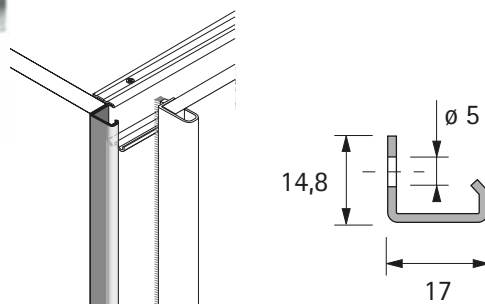


Material	Finish	Length mm	Quantity for 3-door	Article no.	PU	MRP
Aluminium	Silver anodized	2050	2	9136108*	1 ea.	2,529
Aluminium	Silver anodized	2500	2	9136122	1 ea.	1,568

Carcase end profile for rear most door



- Predrilled

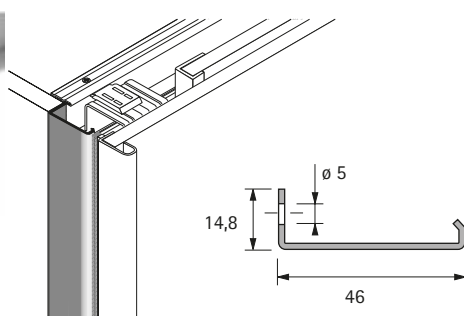


Material	Finish	Length mm	Quantity for 2-door	Quantity for 3-door	Article no.	PU	MRP
Aluminium	Silver anodized	2100	1	2	9117462*	1 ea.	1,251
Aluminium	Silver anodized	2500	1	2	9146622*	1 ea.	1,238

Carcase end profile for front most door



- Predrilled
- Advice:
 - Customised lengths on request



Material	Finish	Length mm	Quantity for 2-door	Article no.	PU	MRP
Aluminium	Silver anodized	2100	1	9 117463*	1 ea.	1,885
Aluminium	Silver anodized	2500	1	9146624*	1 ea.	1,890

*Product available on request

Wardrobe Accessories

► Brush Strips & Lock Solutions



Brush sealing strip



Brush sealing strip brown

- For dust-proof seals
- Length 2500 mm
- Height 27 mm
- Plastic, brown



Brush sealing strip grey

- For dust-proof seals
- Length: 2100 & 2500 mm
- Height 08 mm
- Self Adhesive, Grey

Article No.	Set Description	Qty.	Unit	PU	MRP
Brush sealing strip					
26453	Brush 2500 mm, brown (Screw on)	1	Pc	1	1,289
9117505*	Brush 2100 mm, Grey (Self Adhesive)	1	Pc	1	590
9200386	Brush 2500 mm, Grey (Self Adhesive)	1	Pc	1	254

Cylinder Push Lock



- Complete with rosette
 - Nickel-plated
- Application:**
Can be used for sliding doors.

Article No.	Set Description	Qty.	Unit	PU	MRP
Cylinder Push Lock					
9180613	Push Lock with 22 mm (200 kc with Master key)	1	Set	10	213
9182732	Push Lock with 32 mm (200 kc with Master key)	1	Set	10	226

Prestige 2000 cylinder shooting bar lock for exchangeable barrels



- Locking right or left
 - Complete with 2 rod saddles
 - Nickel plated
- Set comprises:**
- 1 cylinder shooting bar lock
Prestige 2000 right or left locking
 - 1 rosette
 - 2 rod saddles
 - 2 stop brackets
- Application:**
Can be used for sliding and folding shutters. (WingLine L, 220, 230, Wing 77)
Can be used for hinge opening shutters: height up to 3200 mm
Please order barrel from master catalogue

Article No.	Set Description	Qty.	Unit	PU	MRP
Prestige 2000 cylinder shooting bar lock for exchangeable barrels					
77893*	Cylinder shooting bar lock set Z23, ø 18 mm (Left)	1	Pc	1	1,983
77892*	Cylinder shooting bar lock set Z23, ø 18 mm (Right)	1	Pc	10	1,983
72687*	Shooting bar - 1000 mm	1	Pc	10	871
72688*	Shooting bar - 1600 mm	1	Pc	10	1,324

*Product available on request

Multipurpose square lock



- ▶ Multipurpose lock with manual operation
 - ▶ Suitable for furniture small wooden closets, drawers etc
- Application:**
 Can be used for hinge opening small closet, individual drawer.

Article No.	Set Description	Qty.	Unit	PU	MRP
Multipurpose square lock					
43635	Multi-Purpose Square Lock 22mm - 200 KC	1	Pc	100	241
9287293	Multi-Purpose Square Lock 22mm - 200 KC with Master Key	1	Pc	200	221
9110389	Multi-Purpose Square Lock 32mm - 200 KC	1	Pc	100	278
9219182	Multi-Purpose Square Lock 22mm - 400 KC	1	Pc	100	247
9246395	Multi-Purpose Square Lock 22mm - 400 KC with Foldable Et Master key	1	Pc	100	278

ChannelLine C



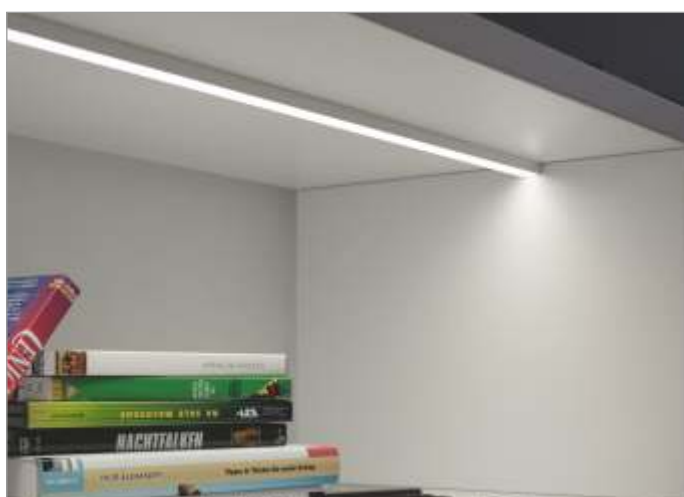
Features

- ▶ Aluminium recessed profiles
- ▶ Opal cover
- ▶ Can be combined with Channelline sensor
- ▶ Furniture edges

Note: For technical details please refer light catalogue

Set Description	Order no.	PU	MRP
ChannelLine C, Aluminium/plastic profile 3000 mm, Opal cover, Depth = 7.5mm	9310129	01	5,194
End cap (2 units per set)	9242650	01	143

ChannelLine D



Features

- ▶ Aluminium surface-mounted/recessed profile
- ▶ Opal cover
- ▶ Can be combined with Channelline sensor
- ▶ Furniture edges

Note: For technical details please refer light catalogue

Set Description	Order no.	PU	MRP
ChannelLine Versa D - L=3000 mm, opal cover, Depth = 10 mm	9310137	01	5,378
End cap (2 units per set)	9244279	01	143

*Product available on request

Lite Pipe



Features

- ▶ Activated by motion sensor
- ▶ Can be individually cut to length
- ▶ Load capacity up to 40 kg / m
- ▶ Can be retrofitted into furniture
- ▶ Plug-in connection on housing
- ▶ Decorative lighting for wardrobes & cloakrooms

Note: For technical details please refer light catalogue

Set Description	Order no.	PU	MRP
LED Lite Pipe 12V 1000 mm WW, 5W	9150406	01	11,052
LED Lite Pipe 12V 1200 mm WW, 5W	9150407	01	12,094
LED - Transformer 12VDC 6W HIN	9162787	01	1,816

LED strip for Channelline profile



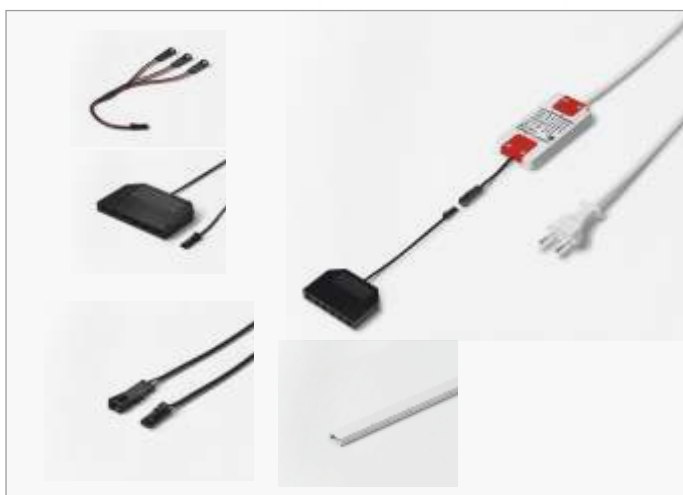
Features

- ▶ Flexible, self-adhesive
- ▶ Double-side supply lead for length 5000 mm (one cut, two lights)
- ▶ Low installation height
- ▶ Can be individually cut to length
- ▶ Successor product of Versa Inside 5

Note: For technical details please refer light catalogue

Set Description	Order no.	PU	MRP
LED Versa Inside 80,12VDC, WW, L=5m, 4.8W/m LTG 1.8m, M1	9309586	01	6,770
LED Versa Inside 120,12VDC, WW, L=5m, 7.2W/m LTG 1.8m, M1	9308465	01	8,840

Ballasts & Accessories



Note: For technical details please refer light catalogue

Set Description	Order no.	PU	MRP
LED-Ballast 12V DC 30 W with flat Euro plug and 6- way distributor	9248604	01	3,910
LED ballast (wide voltage) 30 W with flat Euro plug	9162792	01	5,550
LED-Ballast 12V DC 50 W with flat Euro plug and 6- way distributor	9315674	01	6,664
LED 3 way Distributer M1, 12V DC	9244295	01	367
LED 6 way Distributer=M1 2m, 12V DC	9084272	01	745
LED Extension M1, 12 V DC	9104773	01	340
Cable Duct, self-adhesive,1000mm, white	9244294	01	653

Wardrobe Accessories

► Concealed Hinges



Product	Article No.	SAP	Item Description	Qty.	Unit	PU	MRP
Onsys Hinge							
	Onsys 4447i Hinge - TH42 for 14-25 mm thick doors; Opening angle 105°						
	9281432	9281432	Onsys Hinge - 25 mm - 0 Crank with mounting plate & cover caps	1	Pair	50	342
	9281434	9281434	Onsys Hinge - 25 mm - 9.5 Crank with mounting plate & cover caps	1	Pair	50	376
	9281436	9281436	Onsys Hinge - 25 mm - 16 Crank with mounting plate & cover caps	1	Pair	50	410
Sensys Hinge							
	Sensys 8645i Hinge - TH52 for 15-24 mm thick doors; Opening angle 110°						
	9242922	9242922	Base 12.5 (Crank 0°) with Mounting Plate (D 0 mm)	1	Pair	100	690
	9242923	9242923	Base 3 (Crank 9.5°) with Mounting Plate (D 0 mm)	1	Pair	100	728
	9242924	9242924	Base -4 (Crank 16°) with Mounting Plate (D 0 mm)	1	Pair	100	768
	Sensys 8631i Hinge - TH52 for 15-32 mm thick doors; Opening angle 95°						
	9242902	9242902	Base 12.5 (Crank 0°) with Mounting Plate (D 0 mm)	1	Pair	100	740
	9242905	9242905	Base 3 (Crank 9.5°) with Mounting Plate (D 0 mm)	1	Pair	100	780
	9242906	9242906	Base-4 (Crank 16°) with Mounting Plate (D 0 mm)	1	Pair	100	820
	Sensys 8657i Hinge - TH52 for 15-32 mm thick doors; Opening angle 165° (Zero Protrusion Hinge)						
	9243040	9243040	Base 12.5 (Crank 0°) with Mounting Plate (D 0 mm)	1	Pair	50	1,645
	Sensys 8638i Hinge - TA32 for 19 mm Aluminium Profile; Opening angle 95°						
	9243057	9243057	Base 12.5 (Crank 0°) with Mounting Plate (D 0 mm)	1	Pair	50	1,062
	Sensys 8675 Hinge - TH52 for 15-24 mm thick doors; Opening angle 110°						
	9073662	9073662	Base 4 (Crank 4) with Mounting Plate	1	Pc	1	284
	Accessories of Onsys / Sensys Hinge						
	9199822	9199822	Sensys Cover Cap "Hettich" embossed	1	Pc	50	16
	9082614	9082614	Sensys Cover Cap for Hinge Cup T52/53	1	Pc	50	20
	9281440	9281440	Onsys Cover Cap "Hettich" embossed	1	Set	100	5



Organizers for wardrobe essentials

Hettich wardrobe interior accessories enables one to organize wardrobes neatly and perfectly. The range consist of a number of accessories comprising of cargo stainless steel products like tie & belt pull out, trouser pull out, shoe rack, laundry as well as other solutions like drawer systems, drawer runners, smart tray etc., thereby providing holistic solutions for organizing wardrobes.



Shoe Rack



Pull Out Shelf



Cargo Tie & Belt Pull Out



Cargo Trouser Pull Out

Wardrobe Interior Accessories

▶ Telescopic Drawer Runner



KA 5632 45kg Zinc / Black



- ▶ Precision full extension runner with pull-out stop and roll-out guard
- ▶ Using a release lever, the drawer can be detached from the runner
- ▶ Loading capacity to EN 15338, Level 1
- ▶ Special steel blue passivated or Black

Nominal length mm	Order no.		PU	MRP
	Zinc	Black		
450	73280	44912	10	479
500	73281	44911	10	499
550	73282	44909	10	599
600	73283	44908	10	699

KA 4532, 35kg Silent System / P20 Zinc



- ▶ Silent System - the integrated soft-closing function shuts the drawer quietly and gently
- ▶ Loading capacity to EN 15338, Level 2
- ▶ Special steel blue passivated

Nominal length mm	Order no.		PU	MRP
	Silent System	Push to open		
450	9114275	9114284	10	1,392
500	9114276	9114285	10	1,446
550	9114277	9114286	10	1,500
600	9114278	9114288	10	1,555

KA 4632, 35kg, Silent System, Zinc/ Black



- ▶ Silent system - the integrated soft-closing function shuts the drawer quietly and gently
- ▶ Loading capacity to EN 15338, Level 2
- ▶ Special steel blue passivated

Nominal length mm	Order no.		PU	MRP
	Zinc	Black		
450	9293312	9293318	10	1,392
500	9293313	9293319	10	1,446
550	9293314	9293320	10	1,500

KA Telescopic clamp for Wire Product Accessories



- ▶ To be used with CargoTech, CargoTech M
- ▶ Steel, nickel plated
- ▶ Set comprises: 4 pcs.

Item Description	Order no	PU	MRP
KA Telescopic clamp	1180142	1 set	56

Wardrobe Interior Accessories

► Quadro Drawer Runner



Quadro-V6 Full Extn. With Silent System 30Kg



- Silent system - the integrated soft-closing function shuts the drawer quietly and gently
- Loading capacity to EN 15338, Level 3
- Galvanised steel

Nominal length mm	Order no. Silent System	PU	MRP
450	9243232	10	3,170
500	9243233	10	3,290
550	9243234	10	3,530
600	9243235	10	3,900

Quadro-V6 Full Extn. With Push to open 30Kg



- Push to open - the integrated push to open function helps to open the drawer without handle
- Loading capacity to EN 15338, Level 3
- Galvanised steel

Nominal length mm	Order no. Push to open	PU	MRP
450	9243245	10	3,672
500	9243246	10	3,940
550	9243247	10	4,278

Quadro Catches for Wooden Drawer



Item Description	Order no.	PU	MRP
Left	9144830	10	57
Right	9144841	10	57

Quadro Clamp for Wire Product Accessories



Set comprises:

- 2 front clamp
- 2 rear clamp

Note: To be used along with Quadro V6 only

Item Description	Order no	PU	MRP
CargoTech Quadro clamp	9160975	1 set	56

Wardrobe Interior Accessories

▶ Innotech Drawer System



Innotech Drawer System



- ▶ Versatile drawer system for design-oriented kitchens with extra user value
- ▶ Attractive double walled drawer system with different finishes
- ▶ Sophisticated design could be done with internal drawers having glass front panels
- ▶ Customized content arrangement possible with highly flexible versatile divider system
- ▶ Bottom mounted drawer channels provides more stability
- ▶ Two catches automatically lock the drawer with runner & prevents accidental removal

Drawer set combination



Item Description	BOM Code	PU	MRP
InnoTech- 350 mm (30 Kg) Full Extn. Silent Height 70 mm	9243083	01	5,676
InnoTech- 420 mm (30 Kg) Full Extn. Silent Height 70 mm	9243084	01	5,670
InnoTech- 470 mm (30 Kg) Full Extn. Silent Height 70 mm	9243085	01	5,172
InnoTech- 520 mm (30 Kg) Full Extn. Silent Height 70 mm	9243086	01	5,404



Item Description	BOM Code	PU	MRP
InnoTech- 350 mm (30 Kg) Full Extn. Silent (Pot & Pan) Height 144 mm	9243091	01	6,454
InnoTech- 420 mm (30 Kg) Full Extn. Silent (Pot & Pan) Height 144 mm	9243092	01	6,448
InnoTech- 470 mm (30 Kg) Full Extn. Silent (Pot & Pan) Height 144 mm	9243093	01	5,950
InnoTech- 520 mm (30 Kg) Full Extn. Silent (Pot & Pan) Height 144 mm	9243094	01	6,194

Note: For 50 kg refer Furniture Fittings Pricelist



Wardrobe Interior Accessories

▶ Garment Lifts, Wardrobe Tube & Support & Coat Hanger Holder



Garment lifts



- ▶ Connection on both sides
- ▶ Loading capacity 10 kg/15 kg/18 kg
- ▶ Telescopic width adjustment for inside carcass widths of 750 – 1150 mm installation in System 32
- ▶ Special recess in the housing also permits installation in the area of existing door hinges
- ▶ Spring force adjustment in 4 stages for Duo Lift 18
- ▶ Optional spacer for bridging door protrusion
- ▶ Garment rail: Chrome-plated steel
- ▶ Housing, pivot arm and spacer
- ▶ Plastic/steel, aluminium effect

Item Description	Article No.	PU	MRP
Duo Lift 10 (10Kg) Inside cabinet width 750-1170 mm	9079878	1	6,755
Duo Lift 15 (15Kg) Inside cabinet width 750-1150 mm	42507	1	7,898
Duo Lift 18 (18Kg) Inside cabinet width 750-1150 mm	9079882	1	11,210

Wardrobe Tube & Wardrobe Tube Support



Oval Cabinet Rail, Chrome-Plated

- ▶ 2000 mm in length
- ▶ Material 0.6 mm thick
- ▶ Steel, high gloss chrome-plated

Cabinet Rail Supports SL 322

- ▶ Screw-on type with 3 screw holes
- ▶ Hole spacing 32 mm
- ▶ Zinc die-cast nickel-plated

Cabinet Rail Supports SL 323

- ▶ Press-in type with 2 pins for drill hole diameter of 5 mm
- ▶ Distance between pins 32 mm
- ▶ 1 additional screw hole

SL 786 Wardrobe Rail Supports

- ▶ Screw in below the shelf
- ▶ With special screw M6x25 mm for a maximum shelf thickness of 19 mm
- ▶ 2 additional screw holes for attachment at the side
- ▶ Zinc die-cast nickel plated

Item Description	Article No.	PU	MRP
Oval cabinet rail 2000 mm Chrome Gloss	9309079	10	1,314
Cabinet rail Support SL 322 (3 screw holes)	70664	10	36
Cabinet rail Support SL 323 (2 pins+1 screw hole)	70666	10	42
SL786 DD OVAL NICKEL	70668	50	104

Coat Hanger Holder



- ▶ For installation under the shelf
- ▶ Top running performance
- ▶ 25 kg load capacity to EN 15338, Level 1
- ▶ With Quadro drawer runner, steel, lacquered silver
- ▶ Hanging rail, steel, nickel plated

Inside carcass depth (KT) mm	Length (A) mm	Article No.	PU	MRP
350	345	9136276*	1	6,638
400	395	9136277*	1	6,806
500	497	9136280*	1	6,025
600	596	9136321*	1	7,591

*Product available on request

Wardrobe Interior Accessories

► Cargo Pull Out Shoe Rack (Vertical/Horizontal) & Pull Out Shelf



Cargo Pull Out Shoe Rack (Vertical)



- Easily mountable on carcass side
- Suitable for use on left or right side
- Can take minimum 6 pairs of adult shoes
- Additional space to keep related accessories like shoe polish & brush etc.
- Compatible with KA telescopic runners
- With 3 clip-on shoe racks
- Recommended internal carcass height 750 mm
- Minimum carcass depth of 515 mm
- Finish: Chrome plated
- Order KA telescopic runner & clamps separately (Telescopic Runner 500 mm)
For Telescopic Runner, refer page no. 85

Item Description	Article No.	PU	MRP
Cargo Pull Out Shoe Rack with accessory plate. For internal cabinet height 750 mm (W X D X H) - 279 x 500 x 580 mm	9209340	1	6,611

Cargo Pull Out Shoe Rack (Horizontal)



- Installation between carcass sides
- Can take minimum 4 pairs (600 mm) & 6 pairs (900 mm) of adult size shoes
- Additional space to keep related accessories like shoe polish & brush etc.
- Compatible with Quadro & KA telescopic runners
- Available in two standard carcass widths- 600 & 900 mm
- Recommended internal carcass height 300 mm
- Minimum carcass depth of 515 mm
- Finish: Chrome plated
- Order runner & clamps accordingly (Quadro/Telescopic Runner 500 mm)
For Quadro/Telescopic Runner, refer page no. 85-86

Item Description	Article No.	PU	MRP
For 600 mm cabinet width with accessory plate.	9217067	1	5,465
For 900 mm cabinet width with accessory plate.	9211635	1	6,843

Pull Out Shelf



- Functional and visually pleasing alternative to wooden shelves, in wardrobes
- Can be mounted with KA telescopic & Quadro runners
- Available in three standard carcass widths- 600, 750 & 900 mm
- Available depth- 500 mm
- Height of moving shelf 41 mm
- Minimum carcass depth of 515 mm
- Loading capacity 30-40 kg
- Optional plastic bottom
- Finish: Chrome plated
- Order runner & clamps accordingly (Quadro/Telescopic Runner 500 mm)
For Quadro/Telescopic Runner, refer page no. 85-86

Item Description	Article No.	PU	MRP
W 536 x D 500 x H 41, Cabinet 600 mm	9209345	1	6,575
W 686 mm x D 500 mm x H 41 mm Cab.750 mm	9210438	1	7,386
W 836 x D 500 x H 41, Cabinet 900 mm	9209348	1	8,206

Wardrobe Interior Accessories

▶ Cargo Trouser Pull Out/M & Cargo Tie & Belt Pull Out



Cargo Trouser Pull Out



- ▶ Installed between carcass sides
- ▶ Available in two carcass widths- 600 & 900 mm
- ▶ Can take up to 11 trousers (600 mm) & 17 trousers (900 mm)
- ▶ Trouser holder with non-slip element
- ▶ Tray for keeping accessories like watches / cufflinks / tie clips etc.
- ▶ Inclusive of 2 trays for 536 mm and 3 trays for 836 mm
- ▶ Handle on both sides for easy pull out
- ▶ Finish: Chrome plated
- ▶ Minimum carcass depth of 515 mm
- ▶ Order KA telescopic runner separately (Telescopic Runner 500 mm)
For Telescopic Runner, refer page no. 85

Item Description	Article No.	PU	MRP
Cargo trouser pull out (W X D X H) - 536 x 500 x 120 mm	9221098	1	9,189
Cargo trouser pull out (W X D X H) - 836 x 500 x 120 mm	9236898	1	10,471

Cargo Trouser Pull Out M



- ▶ For mounting on carcass side
- ▶ Can take up to 10 trousers
- ▶ Trouser holder with non-slip element
- ▶ Suitable for use either on left or right side
- ▶ Finish: Chrome plated
- ▶ Minimum carcass depth of 515 mm
- ▶ Order KA telescopic runner separately (Telescopic Runner 500 mm)
For Telescopic Runner, refer page no. 85

Item Description	Article No.	PU	MRP
Cargo trouser pull out (W X D X H) - 340 x 500 x 142 mm	9243990	1	7,952

Cargo Tie & Belt Pull Out



- ▶ Tie holder with non-slip element
- ▶ For mounting on carcass side
- ▶ Suitable for use on either left or right
- ▶ Can take up to 5 Belts & 7 Ties
- ▶ Tray for keeping accessories like watches / cufflinks / tie clips etc.
- ▶ Inclusive with 2 trays
- ▶ Finish: Chrome plated
- ▶ Made of stainless steel wire
- ▶ Minimum carcass depth of 515 mm
- ▶ Order KA telescopic runner separately (Telescopic Runner 500 mm)
For Telescopic Runner, refer page no. 85

Item Description	Article No.	PU	MRP
Cargo tie & belt pull out (W X D X H) - 125 x 500 x 100 mm	9221099	1	7,864

Wardrobe Interior Accessories

► Cargo Tie & Belt Pull Out M, Cargo Wall Shoe Rack (M) & Cargo Laundry



Cargo Tie & Belt Pull Out M



- Tie holder with non-slip element
- For mounting on carcass side
- Suitable for use on either left or right
- Can take up to 4 Belts & 12 Ties
- Finish: Chrome plated
- Made of stainless steel wire
- Minimum carcass depth of 515 mm
- Order KA telescopic runner separately (Telescopic Runner 500 mm)
For Telescopic Runner, refer page no. 85

Item Description	Article No.	PU	MRP
Cargo tie & belt pull out M (W X D X H) - 110 x 500 x 68 mm	9243991	1	6,626

Cargo Wall Shoe Rack (M) with KA



- Easily mountable on carcass side
- Suitable for use on left or right side
- Can take minimum 4 pairs of adult size shoes
- Finish: Chrome plated
- Minimum carcass depth of 515 mm
- Order KA telescopic runner separately (Telescopic Runner 500 mm)
For Telescopic Runner, refer page no. 85

Item Description	Article No.	PU	MRP
Cargo wall shoe rack (M) (W X D X H) - 500 x 210 x 238 mm	9243992	1	4,367

Cargo Laundry with KA



- Easily mountable on carcass side
- Suitable for use on left or right side
- Mesh close enough to avoid clothes falling off
- Finish: Chrome plated
- Minimum carcass depth of 515 mm
- Order KA telescopic runner separately (Telescopic Runner 500 mm)
For Telescopic Runner, refer page no. 85

Item Description	Article No.	PU	MRP
Cargo Laundry (W X D X H) - 220 x 500 x 580 mm	9241012	1	6,464

SmarTray, Steel



Features

- ▶ Compact steel drawer system, powder coated white or anthracite with lock.
- ▶ Two formats 50 and 75 mm high.
- ▶ Load capacity up to 8 kgs
- ▶ High-quality, concealed Quadro full extension slide with Silent System.
- ▶ External dimensions (width x depth x height)
 - SmarTray Steel, 50 mm, with cassette: 379.5 x 235 x 50 mm
 - SmarTray Steel, 75 mm, with cassette: 379.5 x 348 x 75 mm
 - SmarTray Steel Laptop: 379.5 x 448 x 75 mm
- ▶ Installation below desk top / top panel
- ▶ Two tray sets or filing trays with optional connecting set can be combined to fit one above the other

System Components



SmarTray Steel, 50 mm, with cassette

- ▶ Tray with Quadro full extension runner and Silent System
- ▶ Load Capacity 6 kg
- ▶ With Lock Barrel & key
- ▶ Steel



SmarTray Steel Laptop

- ▶ Tray with Quadro full extension runner and Silent System
- ▶ Load Capacity 8 kg
- ▶ With Lock Barrel & key
- ▶ Steel



SmarTray Steel, 75 mm, with cassette

- ▶ Tray with Quadro full extension runner and Silent System
- ▶ Load Capacity 6 kg
- ▶ With Lock Barrel & key
- ▶ Steel



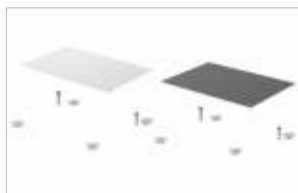
Connecting set for SmarTray Steel with cassette or filing trays

- ▶ For securely connecting two SmarTray Steel trays or filing trays one below the other
- ▶ Installation simply by clipping in and then screwing into place



SmarTray Steel tray

- ▶ Tray, in particular for use below desk tops
- ▶ Suitable for bridging / accommodating desktop support cross members in a depth of up to 50 mm and at different positions
- ▶ Load Capacity 6 kg
- ▶ Powder coated steel



Lid for SmarTray

- ▶ Set with lid and feet for standing SmarTray Steel 50/75 on desk top/top panel
- ▶ Lift off guard prevents unauthorised lid removal
- ▶ Lid is installed simply by sliding it on

Article No.	Set Description	Qty.	Unit	PU
SmarTray Steel				
9208294*	SmarTray Steel, 50 mm, with cassette, Anthracite	1	Set	27,936
9208293*	SmarTray Steel, 50 mm, with cassette, White	1	Set	27,936
9208297*	SmarTray Steel, 75 mm, with cassette, Anthracite	1	Set	26,150
9208296*	SmarTray Steel, 75 mm, with cassette, White	1	Set	22,956
9236934*	SmarTray Steel, for Laptop 75 mm, Anthracite	1	Set	26,100
9236949*	SmarTray Steel, for Laptop 75 mm, Anthracite	1	Set	26,100
9208312*	Connecting set for SmarTray Steel with cassette or filing trays	1	Set	691
9249311*	SmarTray Steel Tray, 60 mm, Anthracite	1	Set	8,040
9249312*	SmarTray Steel Tray, 60 mm, White	1	Set	8,040
9208309*	Lid for SmarTray Steel, 50 mm, Anthracite	1	Set	3,970
9208308*	Lid for SmarTray Steel, 50 mm, White	1	Set	3,970
9208311*	Lid for SmarTray Steel, 75 mm, Anthracite	1	Set	4,430
9208310*	Lid for SmarTray Steel, 75 mm, White	1	Set	4,430

SmarTray, Plastic



Features

- ▶ Compact Plastic tray system, in Aluminum, White or Anthracite look.
- ▶ Two formats 40 and 60 mm high.
- ▶ Tray for Quadro 12 drawer runner
- ▶ With dividers, e.g. for mobile phone, camera, note pad etc.
- ▶ For installing in cabinet furniture and below top panels /desk tops
- ▶ Tool-less slide on installation
- ▶ Load capacity up to 6 kg
- ▶ High-quality, concealed Quadro 12 partial extension slide with silent system.
- ▶ External dimensions (width x depth x height)
 - SmarTray Plastic , 40 mm: 376 x 354 x 40 mm
 - SmarTray Plastic , 60 mm: 376 x 354 x 60 mm

System Components



- SmarTray, 40 mm height with dividers**
- ▶ Tray with Quadro 12 drawer runner
 - ▶ Toll Less Slide on Installation
 - ▶ Plastic



- Quadro 12 Silent System (pair)**
- ▶ For installing in cabinet furniture (connected at side)
 - ▶ Part. extension runner with silent system
 - ▶ 6 kg load capacity to EN 15338, level 2
 - ▶ Galvanised Steel



- SmarTray, 60 mm**
- ▶ Tray with Quadro 12 drawer runner
 - ▶ Toll Less Slide on Installation
 - ▶ Plastic



- Quadro 12 Silent System (pair)**
- ▶ For installing below top panels/desk tops
 - ▶ Part. extension runner with silent system
 - ▶ 6 kg load capacity to EN 15338, level 2
 - ▶ Galvanised Steel

Article No.	Set Description	Qty.	Unit	MRP
SmarTray Plastic				
9134233*	SmarTray Plastic, 40 mm, Aluminium look	1	Pc	2,270
9134232*	SmarTray Plastic, 40 mm, Black	1	Pc	2,384
9203010*	SmarTray Plastic, 40 mm, White	1	Pc	3,918
9134236*	SmarTray Plastic, 60 mm, Aluminium look	1	Pc	2,410
9134235*	SmarTray Plastic, 60 mm, Black	1	Pc	2,387
9203012*	SmarTray Plastic, 60 mm, White	1	Pc	3,861
9186480*	Quadro 12, Part. ext with Silent System (Side mounted)	1	Pair	2,705
9156336*	Quadro 12, Part. ext with Silent System (Under top mounted)	1	Pair	3,127

*Product available on request

Notes

A series of horizontal dotted lines for writing notes.

Notes

A series of horizontal dotted lines for writing notes.

Notes

A series of horizontal dotted lines for writing notes.

Registered & Head Office:**Hettich India Private Limited**

302, Durolite House,
Opp. SAB TV, New Link Road,
Andheri (West), Mumbai - 400 053
Phone: +91 22 2674 3289/3356/4089

Delhi Office:**Hettich India Private Limited**

A-26/4, 1st floor,
Mohan Co-operative Industrial Estate,
New Delhi - 110 044
Phone: +91 11 4889 4000, 4889 4005

Production Site - Vadodara:**Hettich India Private Limited**

Plot No. 304, Dhanora,
Nandesari Road,
Near ECPL,
Village - Dhanora - 391 346
Dist. - Vadodara, Gujarat

Production Site - Indore:**Hettich India Private Limited**

Plot No 1, Sector 5,
Mhow - Neemuch Road,
Opp Lupin Ltd, Pithampur Industrial,
Pithampur - 454 774
Madhya Pradesh

06_2022

Application Centres:**Bengaluru:**

Adventz Center, Ground Floor 28,
Cubbon Road, Shivaji Nagar,
Bengaluru - 560 001
Ph. No. : +91 91 3601 6413

Mumbai:

202/302, Durolite House, Opp. SAB TV,
New Link Road, Andheri (West),
Mumbai - 400 053
Ph.No. : +91 22 2639 9707

New Delhi:

61, Punchkuian Road,
Near RK Ashram Metro,
Opposite Pillar No 4,
New Delhi -110001,
Ph. No. : +91 11 4750 8320

Chennai:

"Heavitree", Ground Floor,
47, Spur Tank Road,
Chetpet, Chennai - 600 031
Ph. No. : +91 44 4263 7227

Ahmedabad:

1st Floor, Unit No. 102,
Safal Pegasus, Anand Nagar,
Ahmedabad - 380 015,
Ph. No. : +91 79 4032 2824
+91 84 4838 5318

Gurugram:

Global Business Park, Tower - A, 5th Floor,
Mehrauli-Gurgaon Rd, Sikanderpur,
Sector 26, Gurugram, Haryana 122 002.
Ph. No. : +91 124 4221670

Hyderabad:

"Sai Krishna"
797 - A, 2nd Floor,
Road No. 36, Jubilee Hills,
Hyderabad - 500 034
Ph. No. : +91 40 2355 8994

Indore:

Office No.106 and 107-A,
"Brilliant Titanium",
Plot No.9, Scheme No.78, Part-II,
Indore - 452 010
Ph. No. : +91 96 9168 4480

Chandigarh:

2nd Floor, Aspire Tower, Plot no. 55,
Industrial & Business park, Phase 1,
Chandigarh - 160 002
Ph. No. : +91 172 5012 347

Kochi:

41/2062D, 2nd Floor
Palarivattom signal
junction, NH 47 By-pass,
Kochi - 682 028
Ph. No. : +91 48 4402 8242

Pune:

Server Spacer ,
Survey No. 127/1A ,
Plot No. 8, Off. ITI Road, Aundh,
Pune - 411 007
Ph. No : +91 72 0847 6557

Kolkata:

2nd Floor, Unit Number 2A,
Tirumala 22, East Topsia Road,
At Topsia Tangra Crossing
Kolkata - 700 046
Ph. No. : +91 98310 12054

Enquiry & Customer Services

Toll Free : 1800 209 2096 (office hours)
Email: sales_enquiry@in.hettich.com
customer_services@in.hettich.com
www.hettich.com

Training Centre Address:

Hettich Poddar Wood Work Institute
Plot No.2, 1st Floor, DLF Industrial Estate-1
Near NHPC Metro Station,
Faridabad- Haryana
Ph: +91 129 4203888
Email: info@hpwwi.com

Follow Hettich India

