

5CT24020

Built-in fridge freezer, top freezer



## **5CT24020 White**

### **Performance and consumption**

- Energy Efficiency Class: A+
- Energy consumption: 229 kWh/yr
- Net capacity: 190 l
- Net fridge capacity 4 - 8 ° C: 149 l
- Climate Class: SN-ST
- Noise level: 39 dB(A) re 1 pW
- fully integrat. with special hinged door

### **Design**

- Sliding hinge
- Easy clean interior
- Interior with metal applications

### **Comfort and Safety**

- Mechanical control
- 1 compressor/1 cold circuit
- Automatic defrost in fridge section

### **Fridge Section**

- Net fridge capacity: 149 l
- 4 safety glass shelves of which 3 are height adjustable
- Vegetable container with wave bottom
- 4 door bins
- 1 fridge light

### **Freezer Section**

- Net capacity \*\*\*\* freezer: 41 l
- Storage time in power failure: 17 h
- Freezing capacity: 2 kg/24 h
- 1 hinged freezer compartment
- 1 height-adjustable wire grid

### **Technical Information**

- Door right hinged, reversible
- Connected load: 90 W
- Nominal voltage: 220 - 240 V

### **Dimensions**

- Niche Dimension (H x W x D): 122.5 cm x 56.0 cm x 55.0 cm
- Dimensions ( H x W x D): 122.1 cm x 54.1 cm x 54.2 cm

### **Accessories**

- 1 x egg tray

### **General Information**

### **Environment and Safety**

### **Country Specific Options**

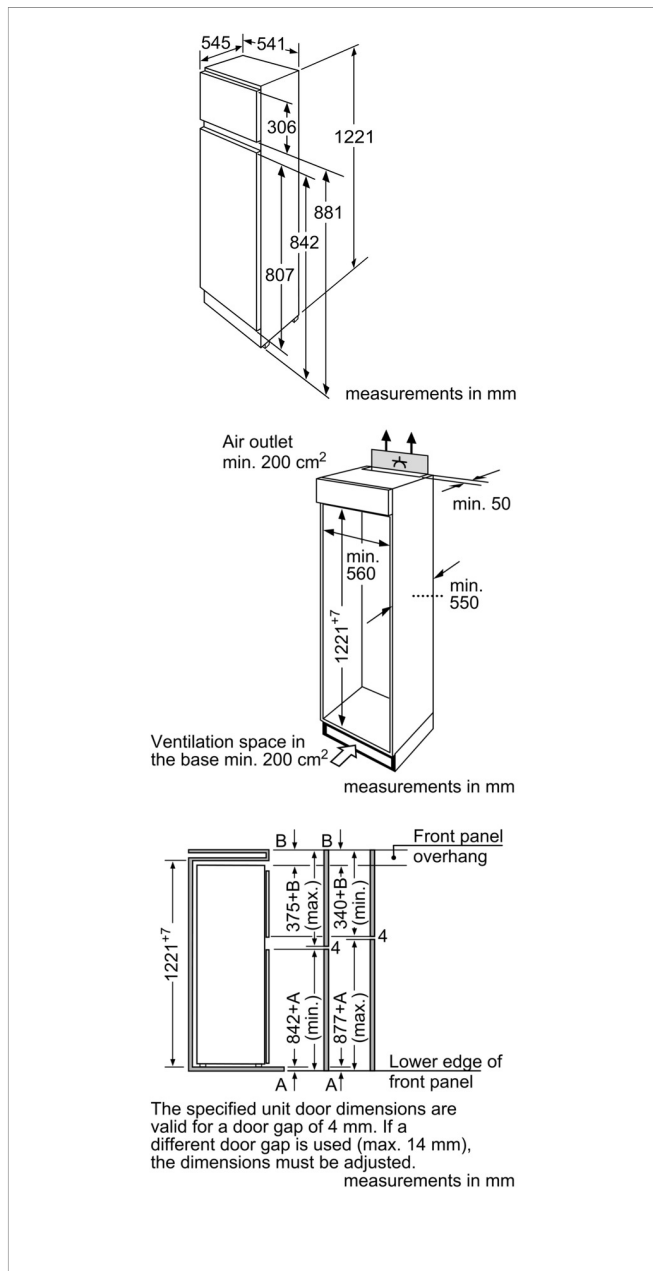
- Gross capacity 193 l
- Gross capacity cooling 152 l
- Based on the results of the standard 24-hour test. Actual consumption depends on usage/position of the appliance.

### **Installation**

4251003100631

## 5CT24020

### Built-in fridge freezer, top freezer



#### Characteristics

Built-in / Free-standing: Built-in  
 Number of compressors: 1  
 Number of independent cooling systems: 1  
 Width of the product (mm): 541  
 Height (mm): 1221  
 Depth of the product: 542  
 Net weight (kg): 41.0  
 Required niche size for installation (HxWxD): 1225.0 x 560 x 550  
 Door panel options: Not possible  
 Door hinge: Right reversible  
 Number of Adjustable Shelves in fridge compartment: 3  
 Shelves for Bottles: No  
 Frost free system: No  
 Interior ventilator: No  
 Reversible Door Hinge: Yes  
 Length electrical supply cord (cm): 230  
 Noise level (dB): 39  
 Multi-Flow Air Tower: No  
 Fast cooling switch: No  
 Fast freezing switch: No  
 Number of Door Bins - Refrigerator: 3  
 Door bin adjustability - Refrigerator: No  
 Tilt-out door bins in fridge: Yes  
 Gallon Storage: Yes  
 Number of Gallon storage: 1  
 Motorized Shelf: No  
 Material of the shelves: Safety glass  
 Door opened indicator freezer: No  
 Automatic motor-driven ice-maker: No

#### Consumption and connection features

Connection Rating (W): 90  
 Current (A): 10  
 Voltage (V): 220-240  
 Frequency (Hz): 50  
 Energy consumption (kWh):  
 Freezing capacity (kg):  
 Storage Period in Event of Power Failure (h): 17  
 Approval certificates: VDE  
 Universal Product Code:  
 Main colour of product: White  
 Door panel options: Not possible  
 Noise level (dB): 39  
 Total annual energy consumption (kWh):  
 Energy Star Qualified: No  
 Approval certificates: VDE  
 Length of electrical supply cord (in):  
 Plug type: GARDY plug w/ earthing  
 Required niche size for installation (in): 48.2 x 20.9 x 21.3