



5VI702XP
Built-in dishwasher
Integrated

Output, consumption

- Energy efficiency class: A++ 1) / A 2)
- Capacity: 12 standard place settings
- Energy / Water 3): 198 kWh / 2,090 l
- Energy / Water 4): 0.90 kWh / 9.5 l
- Noise: 48 dB (A) re 1 pW
- Connection loads: 220 – 240 V / 2.4 kW

1. Values according to Regulation (EU) 1059/2010.
 2. Drying efficiency class.
 3. Annual consumption with 280 standard cleaning cycles with cold water filling (for energy consumption; including consumption by operating modes with low power consumption).
 4. Consumption per dishwashing cycle with cold water filling (for energy consumption; including consumption by operating modes with low power consumption). Actual consumption with energy/water consumption depending on the type of use of the machine.

Equipment / comfort

- 4 programmes: Intensive 70 °C, Auto 45-65 °C, Eco 50 °C, Quick 65 °C
- Vario Speed
- Eco Engine immersion heater with integrated pump system / regeneration electronics
- Dosing assistant
- Aqua sensor / load sensor
- Automatic cleaning / glass protection technology
- Alternating rinse technology
- Heat exchanger
- Vario basket system
- Aquastop with guarantee
- Servo Schloss®
- Integrable behind kitchen cabinet door
- Electrical time pre-selection: 1 – 24 hours / remaining time display
- Electrical refill display for salt / rinse agent
- Digital display
- Programme status display (LED)
- Self-cleaning screen with triple shaft filter system
- Cutlery basket in lower basket
- Cup racks in upper basket (2x)
- XXL dish baskets in silver
- Height-adjustable upper basket with Rackmatic (3-level)
- Folding spine rows in lower basket (2x)

Technical data and dimensions

- Appliance dimensions: 81.5 x 59.8 x 57.3 cm
- Recess dimensions: 81.5 – 87.5 x 60.0 x 55.0 cm
- „dimensions and installation instructions for this device in accordance with the technical drawing“

Optional accessories:

Available color options:

Accessories:



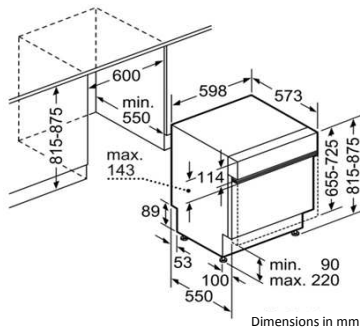
Features:

- Energy efficiency class: A ++
- Cleaning class: A
- Water consumption (l): 9.5
- Estimated annual electricity consumption (at 220) • Standard programs: 198
- Estimated annual water consumption (for 220 standard programs) (l): 2090
- Type: built-in
- Removable worktop: no
- Decorative frame / plate: Not possible
- Height of worktop (mm): 815
- Device height (mm): 815
- Height-adjustable feet: Yes - only in front
- Height adjustment feet maximum (mm): 60
- Adjustable base: horizontal and vertical
- Net weight (kg): 36.0
- Gross weight (kg): 38.0
- Connected load (W): 2400
- Hedging (A): 10
- Voltage (V): 220-240
- Frequency (Hz): 50; 60
- Length of connection cable (cm): 175
- Plug type: Schuko / Gardy.m. grounding
- Length of inlet hose (cm): 165
- Length drain hose (cm): 190
- Water heater: Yes
- Description Water safety system: triple water protection 24h key lock
- Water softening system: Yes
- Upper basket type: LOW
- Upper basket adjustable: Rackmatic 3-stage
- Upper basket storage: 0
- Subcategory: LOW
- 3. Loading level: None
- Silverware Basket: Standard
- Optional accessories: 5AV10001
- Additional parts: steam protection plate
- Number of place settings: 12
- Shade color: gray
- Housing color / material: painted
- Countertop Color / countertop material:
- Dimensions of the packaged device (mm): 875 x 670 x 660

Consumption and connection values:

- International order code: 5VI702XP
- Number of place settings: 12
- Energy efficiency class - new (2010/30 / EC): A ++
- Annual energy consumption (kWh / annum) - new (2010/30 / EC): 258
- Energy consumption (kWh): 0.90
- Power consumption in undelivered condition (W) (2010/30 / EC): 0.10
- Energy consumption in off mode (W) - new (2010/30 / EC): 0.10
- Annual water consumption (l / annum) - new (2010/30 / EC): 2660
- Drying class: A
- Comparison program: Eco
- Program duration Comparison program (min): 210
- Duration of the undelivered condition (min) (2010/30 / EC): 0
- Sound power (dB (A) re 1 pW): 48
- Type of installation: Integratable
- Panel ready: no
- Connected load (W): 2400
- Hedging (A): 10
- Voltage (V): 220-240
- Frequency (Hz): 50; 60
- Estimated annual electricity consumption (kWh):
- Energy Star Qualified: No.
- Plug type: Schuko / Gardy.m. grounding
- Dimensions of the packaged device (in): 34.44 x 26.37 x 25.98
- Net Weight (lbs): 79
- Gross weight (lbs): 84
- Material inner container: plastic
- ADA Compliant: No.
- Device color: stainless steel
- Niche dimensions (mm): 815-875 x 600 x 550
- Device dimensions (in): x x
- Length of connection cable (cm): 175
- Length drain hose (cm): 190
- Length of inlet hose (cm): 165

EAN-Nr.:4251003102215



Dimensions in mm