



5DD72552
Ceiling fan, 118x65 cm
Stainless steel and black glass

Output, consumption

- Voltage: 220 – 240 V
- Total connected load: 95.4 W
- Energy efficiency class: C*
- Average power consumption: 52 kWh/year*
- Fan efficiency class: D*
- Light efficiency class: A*
- Grease filter efficiency class: B*
- Noise min./max. Normal level: 54/67 dB*
- Fan output max. Normal level/ Intensive level*:
 in circulation mode 491 m³/h / 543 m³/h
 * According to EU Regulation No. 65/2014 / Fan capacity according to EN 61591

Equipment / comfort

- Stainless steel and black glass
- For ceiling installation above kitchen islands
- Multi Control
- Circulation mode (carbon filter required for circulation mode)
- Electronic control
- 4-level fan power (3 power levels + 1 intensive level) controllable through Multi Control
- Intensive levels with automatic reset
- Powerful and quiet blower
- Uniform, bright lighting with 2 x 2.7 W LED modules
- Optional extendible Multi Control function: LED light with adjustable brightness and colour temperature
- Heat sensor for automatic mode
- Colour temperature: 4.000 K preset
- Metal grease filter, dishwasher-safe

Optional accessories

- 5Z 9112X1: Carbon filter
- Special accessories for extended Multi Control function
- BLZ 501 Receiver
- BLZ 502 Remote control

Technical data and dimensions

- Appliance dimensions: max. 185 x 1180 x 650 mm
- „dimensions and installation instructions for this device in accordance with the technical drawing“

Optional accessories:

- 5Z 9112X1: Carbon filter
- Special accessories for extended Multi Control function
- BLZ 501 Receiver
- BLZ 502 Remote control



Features:

- Device type: Ceiling fan
- Approval certificates: CE
- Length of connection cable (cm): 150
- Net weight (kg): 26,53
- Number of lamps (pcs): 2
- Material of grease filter: aluminum

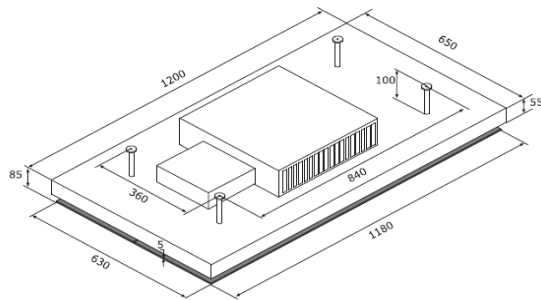
Available color options:

Consumption and connection values:

- Total connected load: (W): 95.4
- Voltage (V): 220/240
- Frequency (Hz): 50/60
- Plug type: Schuko
- Hood body: stainless steel and glass black

Accessories:

EAN-Nr.:4251003102444



Dimensions in mm