



Ergonomics made easy:  
**LegaDrive Systems Eco desk support**

Technik für Möbel

  
**Hettich**



**The healthier and more efficient way to work:** with LegaDrive Systems Eco. Power assisted height adjustable desks have been proven to boost productivity and make an active contribution to keeping users fit and healthy. No wonder more and more offices are being fitted out with work stations to sit and stand at. Further encouraging this trend, we offer the Eco option at a particularly attractive price within the LegaDrive Systems range. Climb on board! Select chosen height and work can begin. LegaDrive Systems Eco impresses with a user friendly

lifting range of 500 mm. The drive system is concealed and particularly quiet. The lifting columns also provide maximum stability when working in the standing position. Needless to say, besides the lifting columns, the lineup also includes support frame components, high quality handsets and a high performance control system with collision detector. Platform based, the lifting column can also be combined with other system components from the LegaDrive range.



**Sturdy, secure, strong:** the single stage telescoping lifting column impresses with maximum stability and powerful, quiet drive system.



**Clean cut style:** column in high quality aluminium combined with understated foot extension.



**Easy to combine:** all it takes is just a few components to create an individually tailored desk.



**Chosen height at the press of a button:** practical handsets provide the chosen working height in a matter of seconds.



Desk support sets

2



Frame modules

3



Columns

4 - 5



Electronic module

6



Components

7 - 13

# LegaDrive Systems Eco desk support

- ▶ Desk support sets
- ▶ Power assisted height adjustment

## Eco Basic desk support set



- ▶ For variable desk top sizes:
  - depth 800 - 1000 mm
  - width 1200 - 1800 mm
- ▶ Desk top support frames adjustable in width in increments of 50 mm
- ▶ Power assisted height adjustment from 650 - 1150 mm (without desk top)
- ▶ Lifting range 500 mm
- ▶ Max. lifting capacity 100 kg with even desk loading (lifting capacity = load capacity + desk top with desk top support)
- ▶ Height adjustment with soft start
- ▶ Nominal voltage 230 V / 50 Hz
- ▶ Low energy consumption (standby 0.3 W max.)
- ▶ Speed 38 mm/s
- ▶ With collision detection (no personal protection)

### Set comprises:

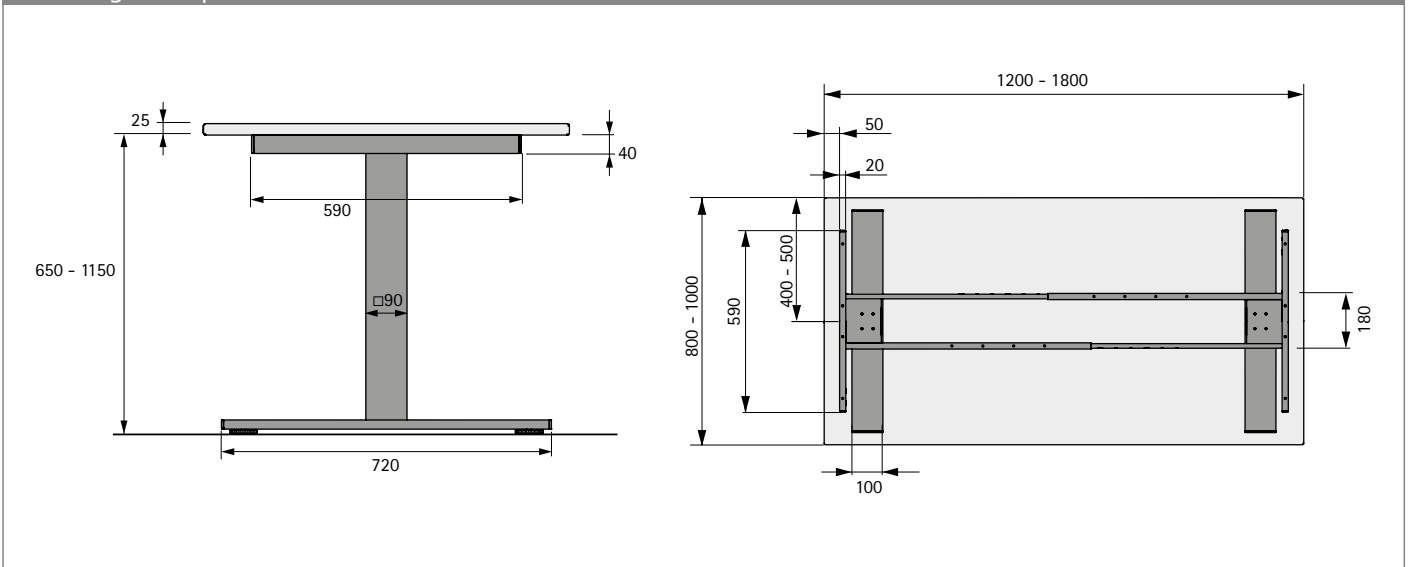
- ▶ 2 LegaDrive Eco electrically telescoping lifting columns
- ▶ 2 Eco foot extensions, 720 mm
- ▶ 1 set of width adjustable Eco desk top support frames
- ▶ 1 Smartneo-2 electronic control unit
- ▶ 1 Smartneo EU mains power connection cable, length 3000 mm
- ▶ 1 Basic handset
- ▶ Installation material
- ▶ Installation instructions

### Page reference:

- ▶ For accessories, see page 7 - 13

Design	Order no.	PU
Support frame components graphite grey, powder coated; lifting columns silver anodised aluminium	<b>9 262 110</b>	1 set
Support frame components, white, powder coated, lifting columns, white, powder coated	<b>9 262 111</b>	1 set

## Planning example



### Eco Basic frame module



- For variable desk top sizes:
  - depth 800 - 1000 mm
  - width 1200 - 1800 mm
- Width adjustable in increments of 50 mm
- Please order lifting columns and electronic components separately

#### Set comprises:

- 2 Eco Basic desk top support frames
- 2 connector profiles
- 2 Eco foot extensions, 720 mm
- Installation material
- Installation instructions

#### Page reference:

- For desk top sizes, see page 2
- For lifting columns and electronic components, see page 4 - 10

Design	Order no.	PU
graphite grey, powder coated	<b>9 262 097</b>	1 set
white, powder coated	<b>9 262 096</b>	1 set

# LegaDrive Systems Eco desk support

- ▶ Columns
- ▶ Power assisted height adjustment

## LegaDrive Eco lifting column



- ▶ Power assisted lifting column, square cross section 90 x 90 mm
- ▶ Power assisted height adjustment from 627 to 1127 mm
- ▶ Lifting range 500 mm
- ▶ Dynamic lifting capacity 70 kg for one lifting column
- ▶ Dynamic lifting capacity integrated in the desk with two lifting columns: 100 kg when evenly loaded
- ▶ Must not be exposed to tensile load
- ▶ Adjustment speed approx. 38 mm / s
- ▶ Cable length approx. 1300 mm

Advice:

- ▶ Other finishes on request

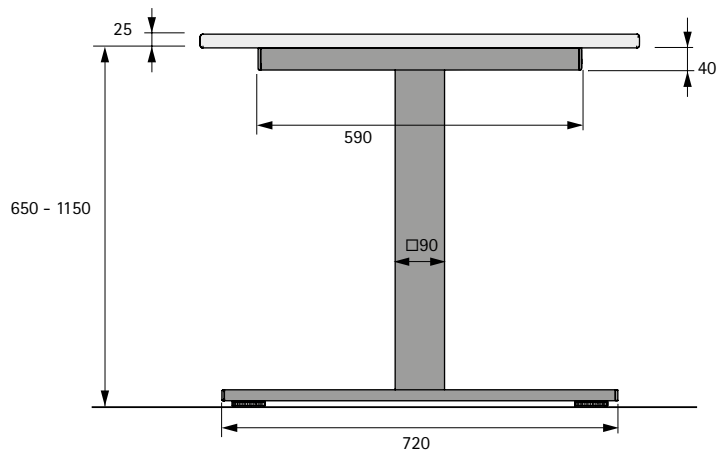
Page reference:

- ▶ For installation, see page 5

Design	Order no.	PU
Aluminium, silver anodised	<b>9 262 087</b>	1 ea.
Powder coated aluminium, white	<b>9 262 088</b>	1 ea.
Aluminium, silver anodised*	<b>9 260 760</b>	50 ea.
Powder coated aluminium, white*	<b>9 260 761</b>	50 ea.

\* Delivery time: 6 weeks from order confirmation

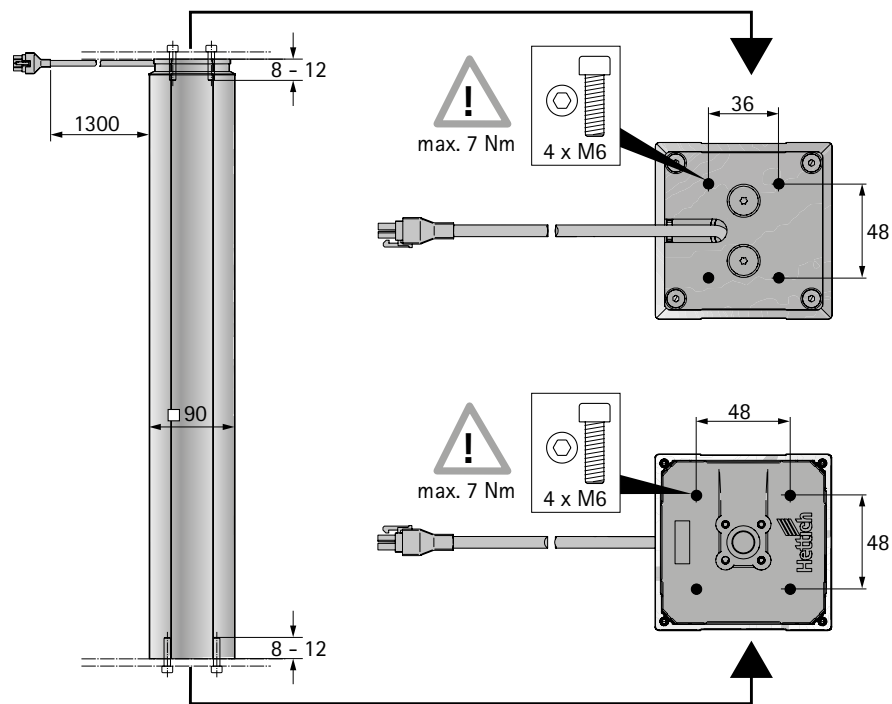
## Dimensions



# Legadrive Systems Eco desk support

- ▶ Columns
- ▶ Power assisted height adjustment

## Installation



### Electronic module



- ▶ Electronic module for use in conjunction with desk systems involving 2 Eco lifting columns
- ▶ Height adjustment with soft start
- ▶ Nominal voltage 230 V / 50 Hz
- ▶ Low energy consumption (standby 0.3 W max.)
- ▶ Speed 38 mm/s
- ▶ With collision detection (no personal protection)

#### Set comprises:

- ▶ 1 Smartneo-2 electronic control unit for 2 Eco lifting columns
- ▶ 1 Smartneo EU mains power connection cable, length 3000 mm
- ▶ 1 Basic handset
- ▶ Installation material

Order no.	PU
9 262 105	1 set



# Legadrive Systems Eco desk support

- ▶ Components
- ▶ Electronic system

## Smartneo-2 control system



- ▶ Electronic control unit based on switched mode power supply unit
- ▶ Controls and synchronises the lifting movement of up to 2 Eco lifting columns
- ▶ Collision detection to reduce system damage (no personal protection)
- ▶ Lifting column gently starts and stops for a high quality feel
- ▶ Power consumption in standby mode 0.3 W max.
- ▶ Plastic, black
- ▶ Power supply 230 V / 50 Hz

Order no.	PU
9 262 098	1/25 ea.

## Power cable



- ▶ Mains power connection cable, 2 core, length approx. 3000 mm

Advice:

- ▶ Other countries on request

Design	Order no.	PU
Type C, "Euro flat plug"	9 262 102	1/50 ea.
Type G, United Kingdom	9 262 103	1/50 ea.



- ▶ Components
- ▶ Electronic system

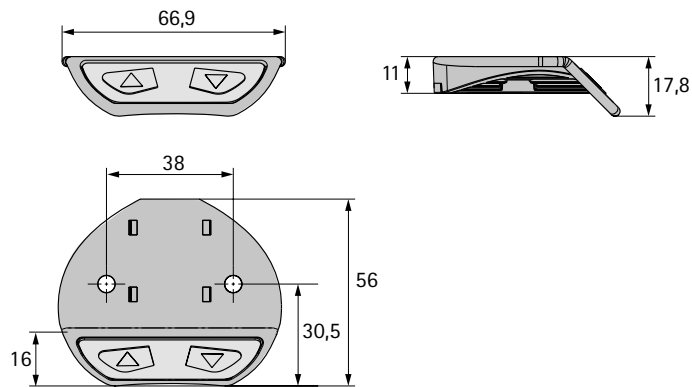
## Handset Basic



- ▶ With up and down key buttons
- ▶ For installing under desk top
- ▶ Plastic, black, grey control surface

Article	Order no.	PU
Handset Basic	9 142 067	1/50 ea.

## Installation dimensions for Basic handset



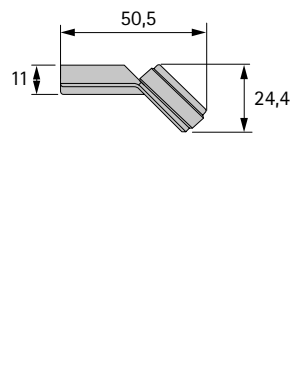
## Handset Touch Basic



- ▶ With high quality Touch Design
- ▶ With up and down key buttons
- ▶ For installing under desk top
- ▶ Plastic, black

Article	Order no.	PU
Handset Touch Basic	9 155 200	1/25 ea.

## Installation dimensions for Touch Basic handset



- ▶ Components
- ▶ Electronic system

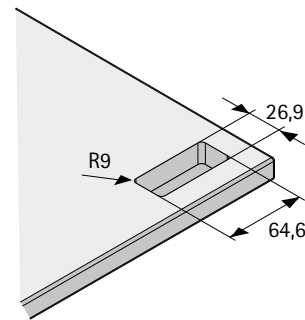
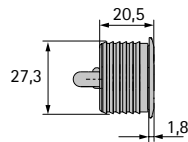
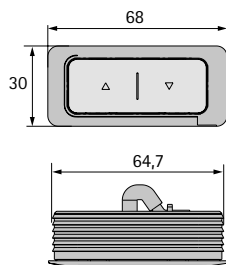
## Touch Basic Inlay handset



- ▶ With high quality Touch Design
- ▶ With up and down key buttons
- ▶ Rubber sleeve for easy installation / fixture in desk top (no screws needed)
- ▶ Plastic, black

Article	Order no.	PU
Touch Basic Inlay handset	9 243 921	1/25 ea.

## Installation dimensions for Touch Basic Inlay handset



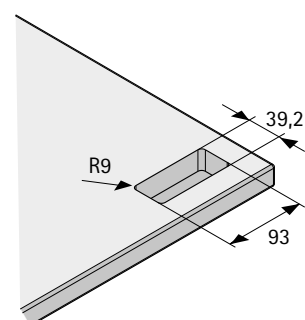
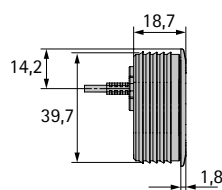
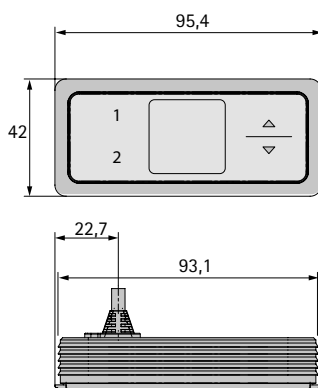
## Touch Inlay handset



- ▶ With high quality Touch finish
- ▶ Up and down key buttons
- ▶ Digital display of desk height (cm or inch)
- ▶ 2 memory functions
- ▶ Rubber sleeve for easy installation / fixture in desk top (no screws needed)
- ▶ Plastic, black

Article	Order no.	PU
Touch Inlay handset	9 155 201	1/25 ea.

## Installation dimensions for Touch Inlay handset



- ▶ Components
- ▶ Electronic system

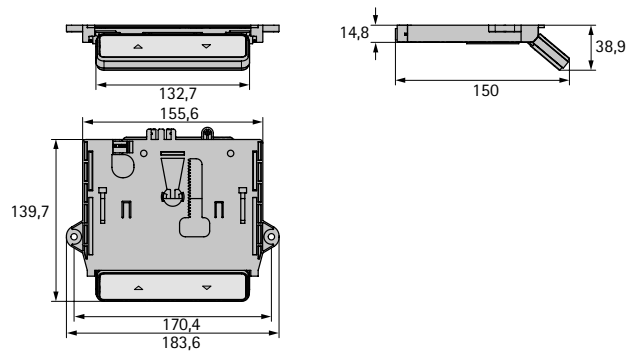
## Touch Comfort handset



- ▶ With high quality Touch finish
- ▶ Up and down key buttons
- ▶ Digital display of desk height (cm or inch)
- ▶ 4 memory functions
- ▶ For installing under desk top
- ▶ With Push to open function. Control panel can be pushed under the desk top where it is hidden from view
- ▶ Plastic, black

Article	Order no.	PU
Touch Comfort handset with instructions	<b>9 155 202</b>	1 ea.
Touch Comfort handset	<b>9 233 886</b>	25 ea.

## Installation dimensions for Touch Comfort handset



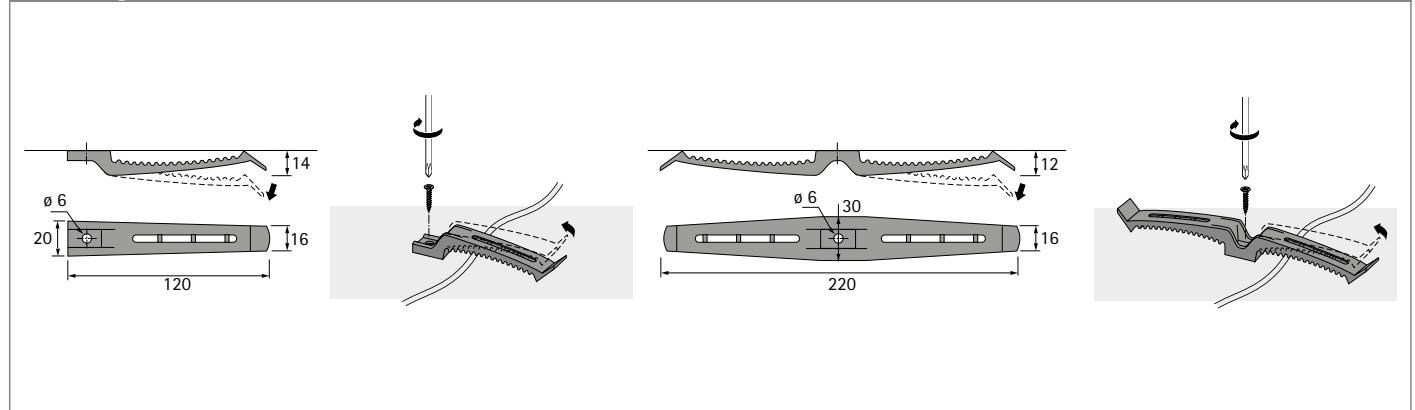
### Cable holder



- For horizontal cable routing
- Plastic, grey

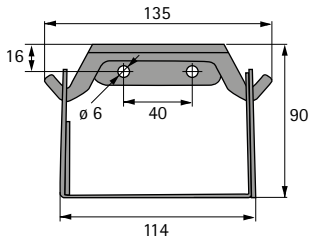
Design	Order no.	PU
single	<b>0 045 968</b>	5 ea.
double	<b>0 045 969</b>	1/5 ea.

### Planning dimensions



## ► Components

### Cable trunking



- Horizontal cable trunking for Legadrive Systems desk supports
- For installing on desk support or under desk top
- Variable in width from 1040 - 1840 mm
- Width adjustable in increments of 50 mm
- Cable trough hinges open to the front or rear
- Connection for vertical cable trunking

#### Set comprises:

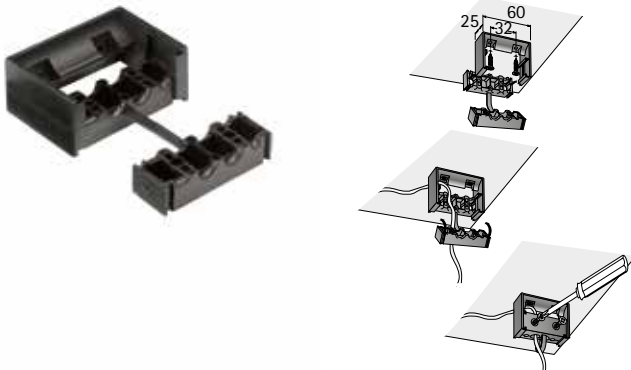
- Cable trunking (2 halves)
- 6 plastic rivets
- 2 retainers
- 4 screws for fixing to desk support
- 4 screws for fixing to desk top
- 2 screws for attaching an optional cable grip
- Installation instructions

#### Page reference:

- For optional cable grip, see below

Design	Order no.	PU
Powder coated steel, white	9 243 064	1 ea.
Steel, graphite grey, powder coated	9 243 053	1 ea.

### Cable grip



- Cable grip for screwing on for up to 4 cables
- Plastic, black

Order no.	PU
0 046 053	1 ea.

### Cable trunking



- Vertical flexible cable duct for Legadrive Systems desk supports
- For fitting to horizontal cable trunking or under desk top
- Maximum height approx. 1300 mm
- Weighted base for easy positioning
- Simply clips into horizontal cable trunking
- Alternative connection to desk top using desk adapter

#### Set comprises:

- Cable trunking
- Desk adapter
- Weighted foot

Design	Order no.	PU
Plastic, white	9 243 066	1 ea.
Plastic, silver	9 243 065	1 ea.

# Legadrive Systems Eco desk support

## ► Components

### Cable trunking



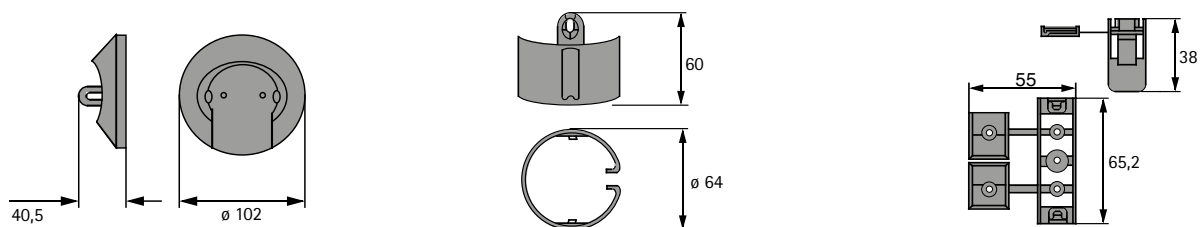
- Protected cable routing from floor socket outlet to desk top
- Can be extended to any length
- Fast and easy installation
- Plastic, aluminium look

Set comprises:

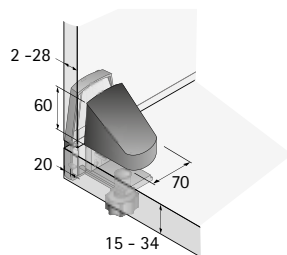
- 1 cable trunking
- 1 floor fixing piece
- 1 desk adapter
- 3 chipboard screws

Length mm	Order no.	PU
815	<b>0 076 558</b>	1 set
1300	<b>9 189 284</b>	1 set

### Planning dimensions



### Panel clip



- Surface-mounted on the desk edge, clamp-on type
- For desk tops in a thickness of 15 - 34 mm
- Plastic, black

Order no.	PU
<b>0 046 840</b>	1/2 ea.

[www.hettich.com](http://www.hettich.com)

Order no. 9 265 543  
1901-053\_LeigaDrive\_Eco\_0219\_HM/en

Technik für Möbel

