

New Made for the future
Designer profiles for ArciTech



Distinctive designer profiles

The new designer profiles for ArciTech provide a particularly effective way of individualising drawers.

The decorative, self adhesive designer profiles in attractive finishes create visual highlights with an individual touch: timeless stainless steel, chrome or aluminium looks. Oak and walnut pick up on the trend towards more natural authenticity.

Easy to install, these profiles can also be added at a later date. The production process is in no way affected. Individual customer preferences can be met quickly and in a variety of ways.

Technical details in brief

- ▶ Plastic
- ▶ Self adhesive
- ▶ For use on drawers and pot-and-pan drawer with lengthwise railing
- ▶ Nominal lengths: 450 mm, 500 mm, 650 mm
- ▶ Can be cut to any length
- ▶ Surface finishes: chrome, aluminium, stainless steel, oak and walnut look



Discover differentiation with designer profiles:
<https://www.hettich.com/short/fa75e2>

ArciTech double walled drawer systems

- ▶ Accessories
- ▶ Designer profiles

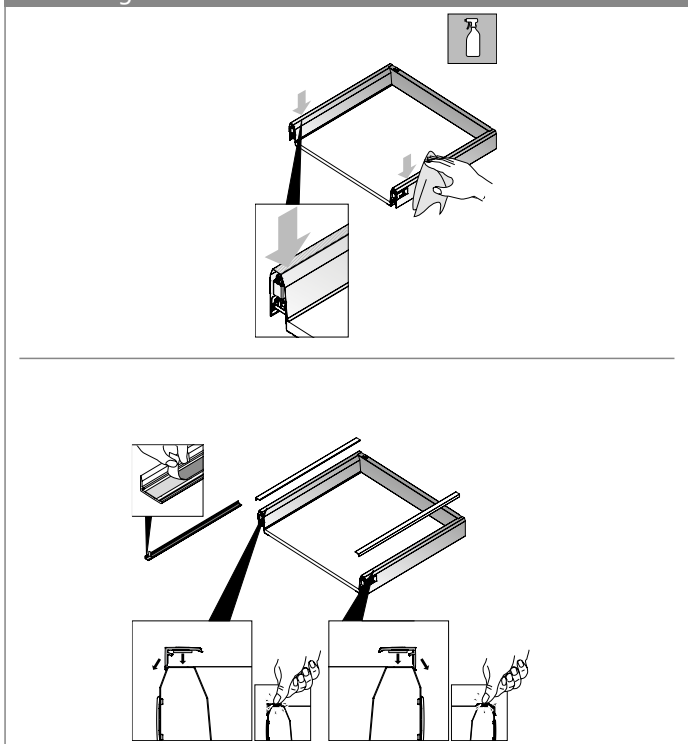
ArciTech designer profiles



- ▶ Plastic
- ▶ Self adhesive
- ▶ For use on drawers or pot-and-pan drawers with lengthwise railing
- ▶ Can be shortened as required
- ▶ Designer profiles are sold as a single item, please order two pieces for a pair

Finish	Order no. / Nominal length mm		PU
	500	650	
Chrome look	9 240 689	9 240 694	100 ea.
Aluminium look	9 240 690	9 240 695	100 ea.
Stainless steel look	9 240 691	9 240 696	100 ea.
Oak look	9 240 692	9 240 697	100 ea.
Walnut look	9 240 693	9 240 698	100 ea.

Installing drawer



Installing pot-and-pan drawer

