



Drawer runners for wooden drawers:
KA ball bearing runners

Technik für Möbel


Hettich

Drawer runners for wooden drawers

▶ KA ball bearing runners



Intelligent technology – robust quality:

these ball bearing runners from Hettich guarantee smooth running action and high lateral stability. Hardened steel ball bearings, enclosed in noise absorbing plastic, provide many years of reliable, maintenance free service in any application.

Available as full or over extension runners, they are the ideal choice when it come to meeting exacting demands in the office, living room or bedroom.



Full extension runner:

with smooth gliding action and ergonomic access to drawer contents, load capacity up to 136 kg.

- ▶ KA ball bearing runners
- ▶ Summary



Ball bearing runners for side installation
Range summary / Technical comparison

2 - 3






Technical information
Quality criteria

11

12

- ▶ KA ball bearing runners
- ▶ Range summary / Technical comparison

	KA 5632 	KA 5632 Stop Control 	KA 5632 Silent System 
Page	4	5	6
Description	Full extension runner, separable	Full extension runner with integrated self closing, separable	Full extension runner with integrated Silent System, separable
Loading capacity	45 kg	40 kg	40 kg
Drawer lengths	250 - 700 mm	300 - 700 mm	300 - 700 mm
Installation	Side installation	Side installation	Side installation

Drawer runners for wooden drawers



- ▶ KA ball bearing runners
- ▶ Range summary / Technical comparison

KA 5632 Push to open	KA 5332	KA 4932	KA 4620
7	8	9	10
Full extension runner with integrated opening system, separable	Full extension runner, separable	Over extension runner, separable	Over extension runner for 19 mm installation width, separable
40 kg	30kg	60 kg	90 kg
300 - 700 mm	250 - 550 mm	250 - 700 mm	300 - 700 mm
Side installation	Side installation	Side installation	Side installation

Drawer runners for wooden drawers

- ▶ KA 5632 full extension runner for side mounting
- ▶ Load capacity 45 kg



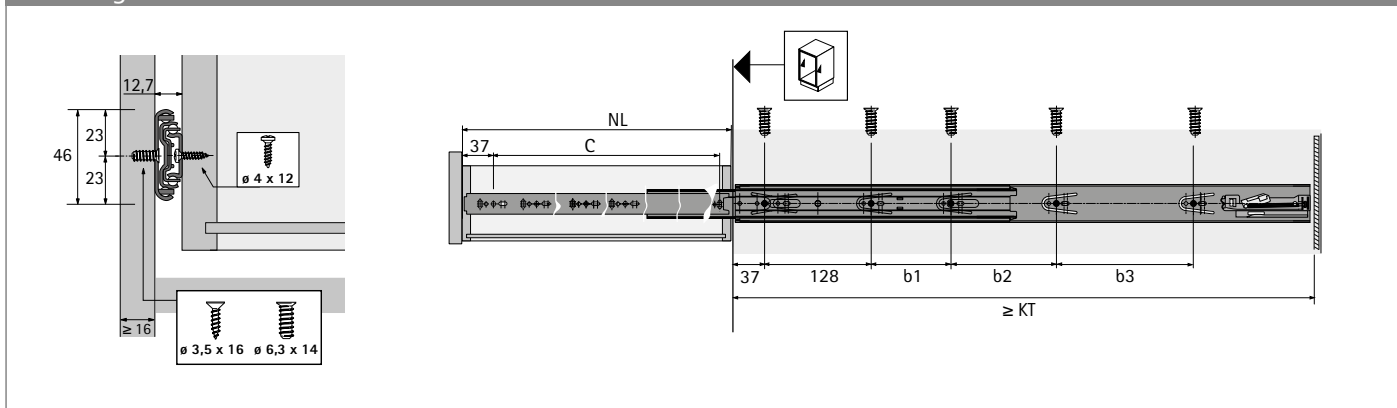
- ▶ Precision full extension runner with pull-out stop and roll-out prevention
- ▶ Using a release lever, the drawer can be detached from the runner, making the drawer easy to remove and refit.
- ▶ Precision control for silky smooth running action and high lateral stability
- ▶ For drawers with grooved, rebated or flush drawer bottom panel
- ▶ Load capacity to EN 15338, Level 1
- ▶ Steel, galvanised, blue passivated

KA 5632 ball bearing runner, 12.7 mm installation width

Nominal length / drawer length NL mm	Minimum carcase depth KT mm	Hole spacing b1 mm	Hole spacing b2 mm	Hole spacing b3 mm	Hole spacing b4 mm	Hole spacing b5 mm	Hole spacing C mm	Order no.	PU
250	254	96					192	1 071 891	10 pair
300	304	96					242	1 071 893	10 pair
350	354	96					292	1 071 894	10 pair
400	404	96	96				342	1 071 895	10 pair
450	454	96	128				392	1 071 896	10 pair
500	504	96	128	64			442	1 071 897	10 pair
550	554	96	128	64	32	32	492	1 071 898	10 pair
600	604	96	128	96	32	32	542	1 071 899	10 pair
650	654	96	128	160	32	32	592	1 071 900	10 pair
700	704	96	128	192	32	32	642	9 019 660	10 pair

Article	Order no.	PU
KA 5632 Rear Bracket Support	1 134 110	100 ea.

Planning dimensions



Advice

- ▶ For technical information, see page 11

Drawer runners for wooden drawers

- ▶ KA 5632 SC full extension runner with Stop Control for side installation
- ▶ Load capacity 40 kg



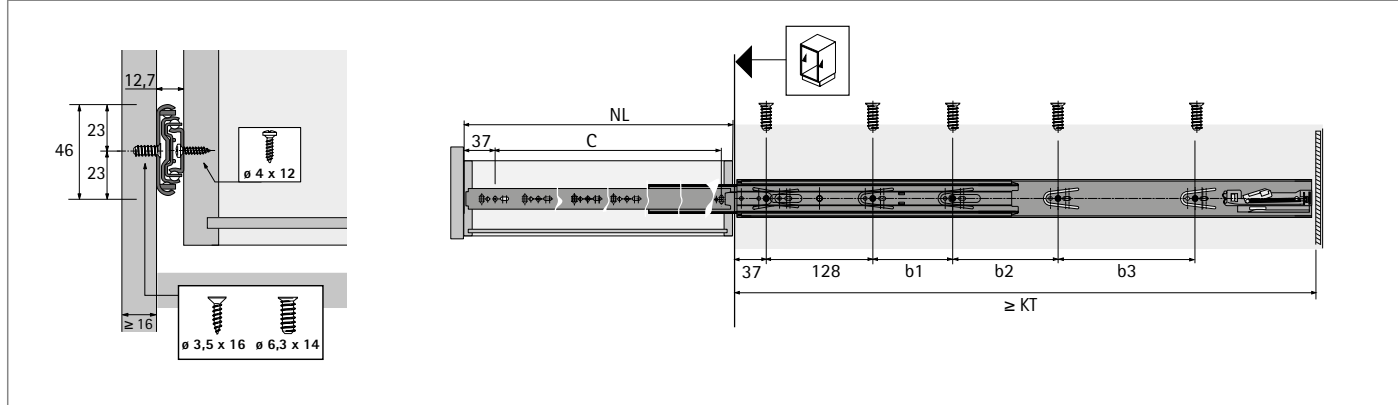
- ▶ **Stop Control** – integrated self closing reliably and automatically closes the drawer
- ▶ Using a release lever, the drawer can be detached from the runner, making the drawer easy to remove and refit.
- ▶ Precision control for silky smooth running action and high lateral stability
- ▶ For drawers with grooved, rebated or flush drawer bottom panel
- ▶ Load capacity to EN 15338, Level 1
- ▶ Steel, galvanised, blue passivated

KA 5632 ball bearing runner SC with self closing mechanism, 12.7 mm installation width

Nominal length / drawer length NL mm	Minimum carcase depth KT mm	Hole spacing b1 mm	Hole spacing b2 mm	Hole spacing b3 mm	Hole spacing C mm	Order no.	PU
300	304				208	9 068 958	10 pair
350	354				240	9 068 961	10 pair
400	404	96			288	9 068 962	10 pair
450	454	96			320	9 068 963	10 pair
500	504	96	128		352	9 068 964	10 pair
550	554	96	128		416	9 068 965	10 pair
600	604	96	128	96	416	9 068 966	10 pair
650	654	96	128	128	544	9 068 967	10 pair
700	704	96	128	192	544	9 068 968	10 pair

Article	Order no.	PU
KA 5632 Rear Bracket Support	1 134 110	100 ea.

Planning dimensions



Advice

- ▶ For technical information, see page 11

Drawer runners for wooden drawers

- ▶ KA 5632 full extension runner with Silent System soft, automatic closure
- ▶ Load capacity 40 kg



- ▶ Precision full extension runner – the integrated self-closing mechanism with Silent System cushioned closure reliably shuts the draw in virtual silence
- ▶ Using a release lever, the drawer can be detached from the runner and thus removed and re-fitted with ease.
- ▶ Perfectly extension guarantees smooth move and high lateral stability
- ▶ For wooden drawers with grooved, rebated or loosely fitted bases
- ▶ Steel, galvanised or black*

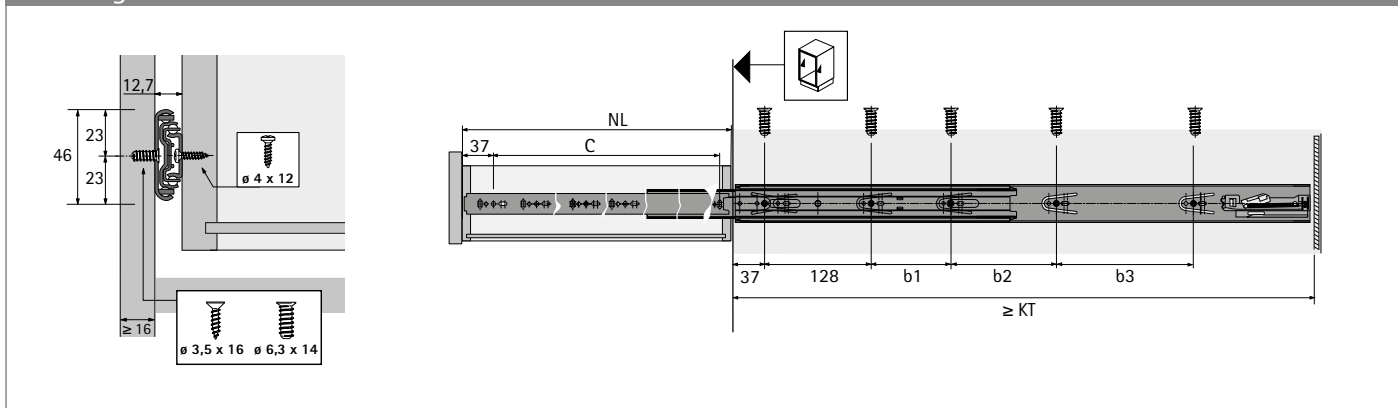
KA 5632 ball bearing runner with Silent System soft, automatic closure, 12.7 mm installation width

Nominal length / drawer length NL mm	Minimum carcass depth KT mm	Hole spacing mm				Order no. Galvanised steel	Order no. Black	PU
		b1	b2	b3	C			
300	304	–	–	–	196	9 128 570	9 128 579	10 pairs
350	354	56	–	–	246	9 128 571	9 128 580	10 pairs
400	404	96	–	–	296	9 128 572	9 128 581	10 pairs
450	454	96	–	–	346	9 128 573	9 128 582	10 pairs
500	504	96	96	–	396	9 128 574	9 128 583	10 pairs
550	554	96	128	–	446	9 128 575	9 128 584	10 pairs
600	604	96	128	–	496	9 128 576	9 128 585	10 pairs
650	654	96	128	128	546	9 128 577	9 128 586	10 pairs
700	704	96	128	128	596	9 128 578	9 128 587	10 pairs

* black on request only, MOQ required

Article	Order no.	PU
KA 5632 Rear Bracket Support	1 134 110	100 ea.

Planning dimensions



Advice

- ▶ For technical information, see page 11

Drawer runners for wooden drawers

- ▶ KA 5632 full extension runner with Push to open
- ▶ Load capacity 40 kg



- ▶ Precision full extension slide – the integrated Push to open function opens the drawer in response to a gentle press on the front panel
- ▶ Using a release lever, the drawer can be detached from the runner and thus removed and re-fitted with ease.
- ▶ Perfectly extension guarantees smooth move and high lateral stability
- ▶ For wooden drawers with grooved, rebated or loosely fitted bases
- ▶ Steel, galvanised or black*

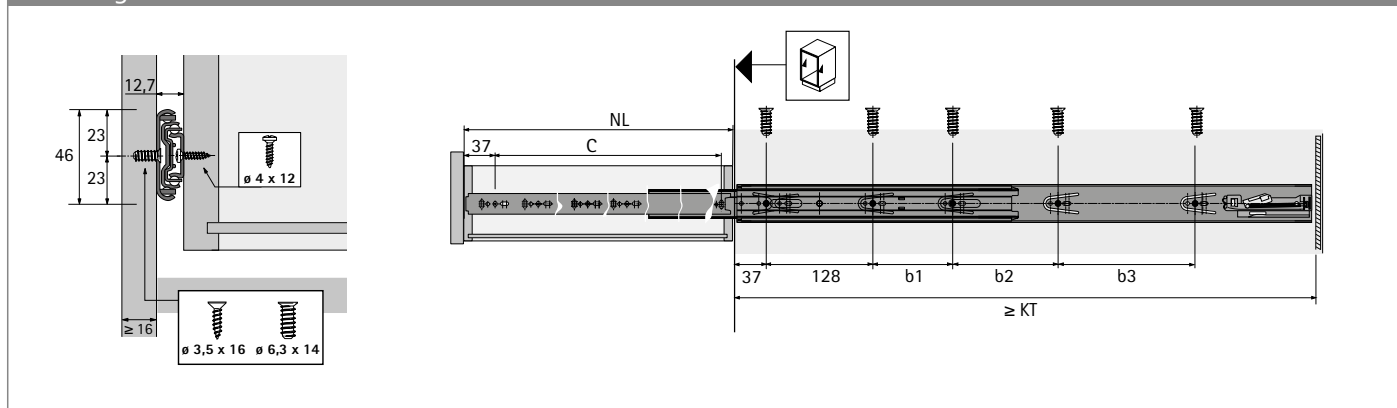
KA 5632 ball bearing runner with Push to open, 12.7 mm installation width

Nominal length / drawer length NL mm	Minimum carcass depth KT mm	Hole spacing mm				Order no. Galvanised steel	Order no. Black	PU
		b1	b2	b3	C			
300	304	-	-	-	196	9 131 152	9 131 161	10 pairs
350	354	56	-	-	246	9 131 153	9 131 162	10 pairs
400	404	96	-	-	296	9 131 154	9 131 163	10 pairs
450	454	96	-	-	346	9 131 155	9 131 164	10 pairs
500	504	96	96	-	396	9 131 156	9 131 166	10 pairs
550	554	96	128	-	446	9 131 157	9 131 167	10 pairs
600	604	96	128	-	496	9 131 158	9 131 168	10 pairs
650	654	96	128	128	546	9 131 159	9 131 169	10 pairs
700	704	96	128	128	596	9 131 160	9 131 170	10 pairs

* black on request only, MOQ required

Article	Order no.	PU
KA 5632 Rear Bracket Support	1 134 110	100 ea.

Planning dimensions



Advice

- ▶ For technical information, see page 11

Drawer runners for wooden drawers

- ▶ KA 5332 full extension runner for side mounting
- ▶ Load capacity 30 kg

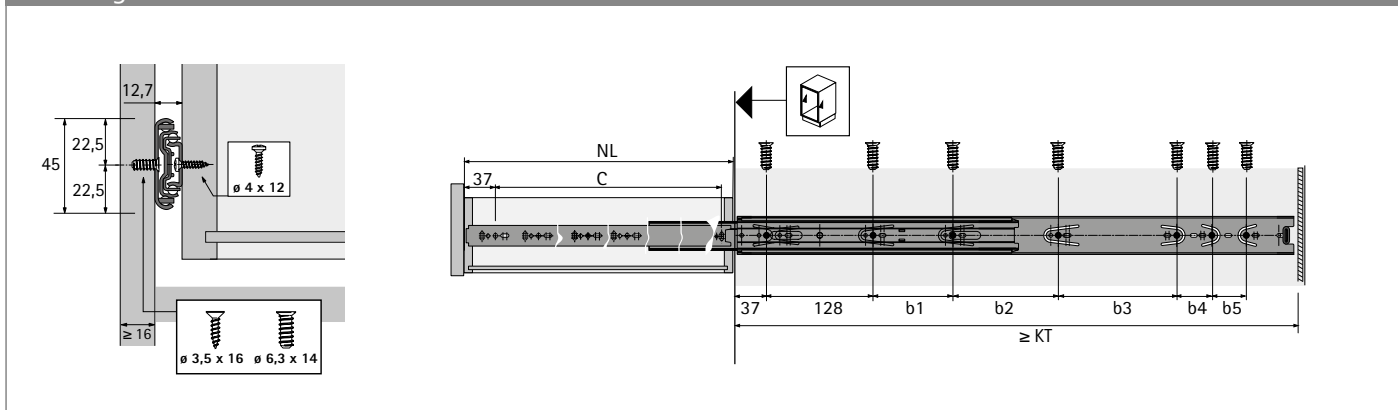


- ▶ Precision full extension runner with pull-out stop and roll-out prevention
- ▶ Using a release lever, the drawer can be detached from the runner, making the drawer easy to remove and refit.
- ▶ Precision control for silky smooth running action and high lateral stability
- ▶ For drawers with grooved, rebated or flush drawer bottom panel
- ▶ Load capacity to EN 15338, Level 1
- ▶ Steel, galvanised, blue passivated

KA 5332 ball bearing runner, 12.7 mm installation width

Nominal length / drawer length NL mm	Minimum carcase depth KT mm	Hole spacing b1 mm	Hole spacing b2 mm	Hole spacing b3 mm	Hole spacing b4 mm	Hole spacing b5 mm	Hole spacing C mm	Order no.	PU
250	254						192	9 070 496	10 pair
300	304	96					242	9 070 498	10 pair
350	354	96					292	9 057 402	10 pair
400	404	96	96				342	9 057 403	10 pair
450	454	96	128				392	9 057 404	10 pair
500	504	96	128	64			442	9 057 405	10 pair
550	554	96	128	64	32	32	492	9 057 407	10 pair

Planning dimensions



Advice

- ▶ For technical information, see page 11

Drawer runners for wooden drawers

- ▶ KA 4932 over extension runner for side mounting
- ▶ Load capacity 60 kg

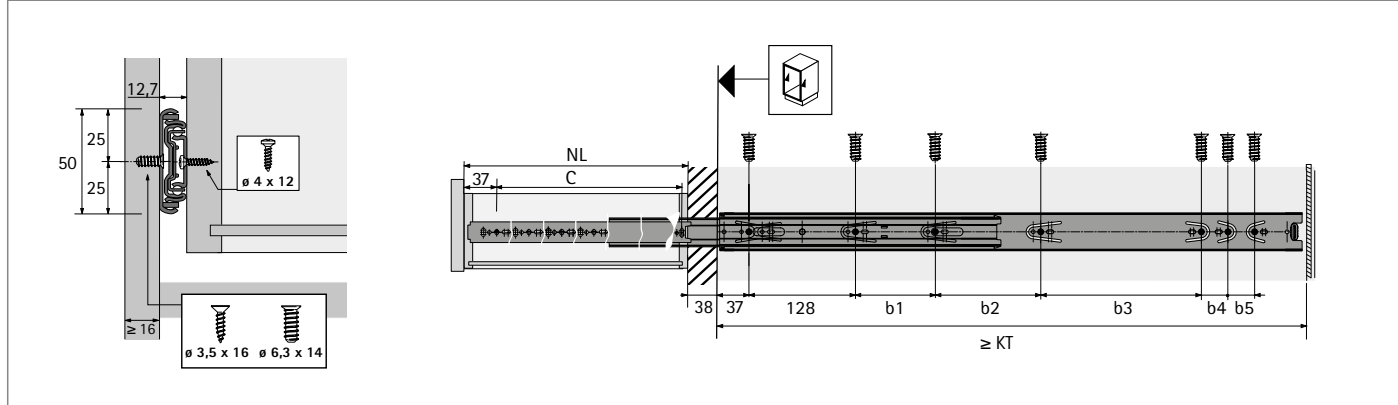


- ▶ Over extension runner with pull-out stop and roll-out prevention
- ▶ Using a release lever, the drawer can be detached from the runner, making the drawer easy to remove and refit.
- ▶ Precision control for silky smooth running action and high lateral stability
- ▶ For drawers with grooved, rebated or flush drawer bottom panel
- ▶ Load capacity to EN 15338, Level 1
- ▶ Steel, galvanised, blue passivated

KA 4932 ball bearing runner, 12.7 mm installation width

Nominal length / drawer length NL mm	Minimum carcass depth KT mm	Hole spacing b1 mm	Hole spacing b2 mm	Hole spacing b3 mm	Hole spacing b4 mm	Hole spacing b5 mm	Hole spacing C mm	Order no.	PU
250	254						192	1 071 901	10 pair
300	304	96					242	1 071 902	10 pair
350	354	96					292	1 075 310	10 pair
400	404	96	96				342	1 075 311	10 pair
450	454	96	128				392	1 071 905	10 pair
500	504	96	128	64			442	1 071 906	10 pair
550	554	96	128	64	32	32	492	1 071 907	10 pair
600	604	96	128	96	32	32	542	1 071 908	10 pair
650	654	96	128	160	32	32	592	1 071 909	10 pair
700	704	96	128	192	32	32	642	9 019 703	10 pair

Planning dimensions



Advice

- ▶ For technical information, see page 11

Drawer runners for wooden drawers

- ▶ KA 4620 over extension runner for side mounting
- ▶ Load capacity 90 kg

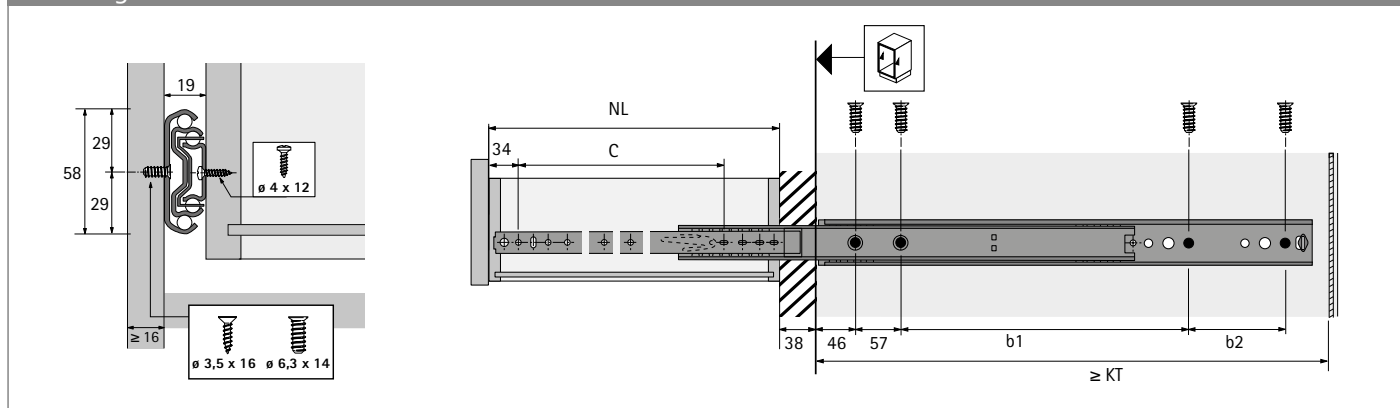


- ▶ Over extension runner with pull-out stop and roll-out prevention
- ▶ Using a release lever, the drawer can be detached from the runner, making the drawer easy to remove and refit.
- ▶ Precision control for silky smooth running action and high lateral stability
- ▶ For drawers with grooved, rebated or flush drawer bottom panel
- ▶ Load capacity to EN 15338, Level 1
- ▶ Steel, galvanised, blue passivated

KA 4620 ball bearing runner, 19 mm installation width

Nominal length / drawer length NL mm	Minimum carcase depth KT mm	Hole spacing b1 mm	Hole spacing b2 mm	Hole spacing C mm	Order no.	PU
300	304	125		233.5	9 019 954	10 pair
350	354	175		283.5	9 019 955	10 pair
400	404	111	114	333.5	9 019 956	10 pair
450	454	136	139	383.5	9 019 957	10 pair
500	504	161	164	433.5	9 019 958	10 pair
550	554	186	189	483.5	9 019 959	10 pair
600	604	211	214	533.5	9 019 960	10 pair
650	654	236	239	583.5	9 019 961	10 pair
700	704	261	264	633.5	9 019 962	10 pair

Planning dimensions



Advice

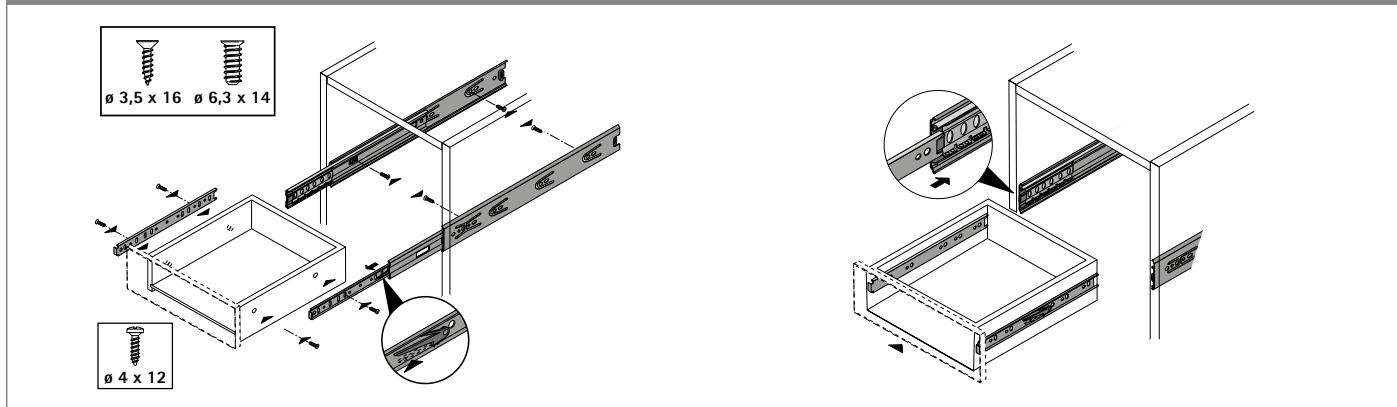
- ▶ For technical information, see page 11

Drawer runners for wooden drawers

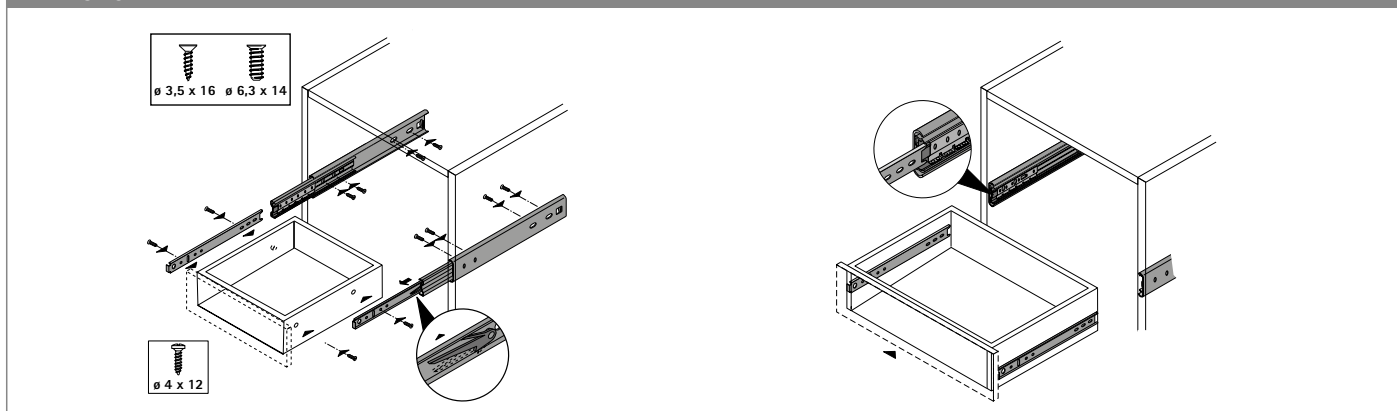


- ▶ KA ball bearing runner
- ▶ Technical information

KA 5632 SC, 5632, 5332, 4932



KA 4620



Drawer runners for wooden drawers

► Quality criteria

Quality that meets all the demands

The quality of drawer runners is subject to a process of continuous monitoring. Hettich fittings comply with the national and international quality standards of the markets our customers operate in. The diagrams below show some of the tests Hettich fittings are required to pass.

Application area

Hettich drawer runners are suitable for use in living room, kitchen, bathroom and office furniture both in the home and business environment.

Load capacity and guards preventing unintentional detachment / removal

The load capacity indicated (to DIN EN 15338) is understood to mean the weight of the drawer itself, including contents, in kg. The applicable level is shown on the product. The load-bearing capacity relates to a reference length of 500 mm. The load-bearing capacity may vary for other nominal lengths. All Hettich drawer runners feature

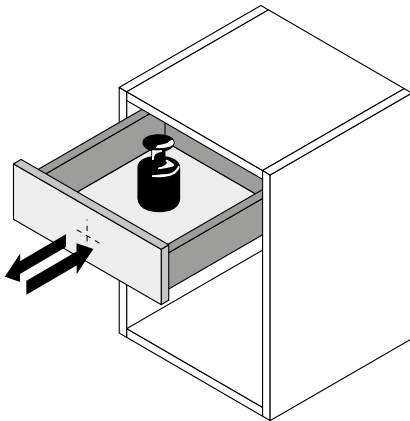
guards to prevent the drawer from rolling out and being removed unintentionally and meet the requirements of the impact test in a test frame to EN 15338. Used in the intended manner for furniture, these drawer runners are suitable for use in living, kitchen and bathroom furniture to EN 14749 and for use in office furniture to EN 14073 and EN 14074. The maximum front panel height is governed in particular by material, drawer size and drawer runner. Testing is conducted on drawers with a 130 mm front panel height and pot-and-pan drawers with a 300 mm front panel height.

Corrosion test

Hettich drawer runners satisfy the requirements on corrosion defined in EN 15338, 72-hour condensation water test to EN 6270.

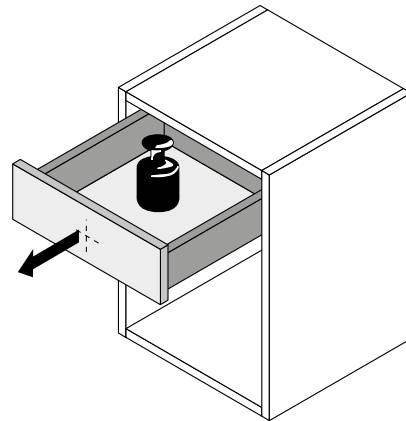
Wear test

The fully laden drawer must remain in proper working order after opening and closing it for a defined number of times at a defined test velocity.



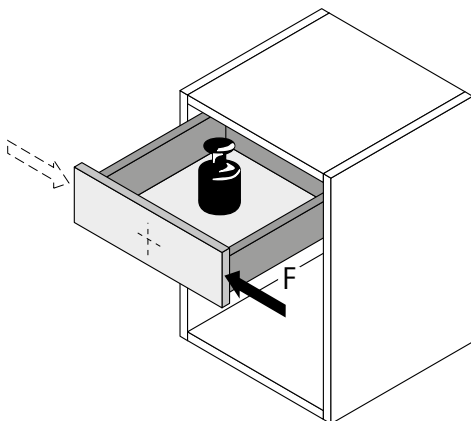
Retention-on-opening test

The fully laden drawer is abruptly opened all the way several times at a defined test velocity.



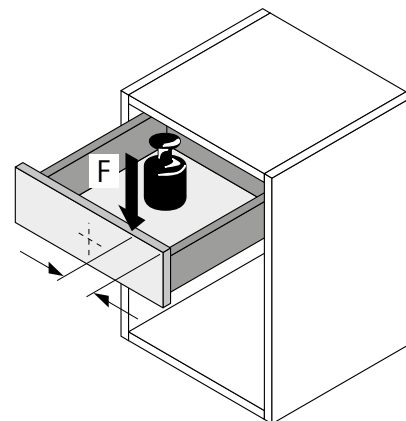
Horizontal load test

Opened all the way, the fully laden drawer is additionally exposed to horizontal strain from a defined lateral force.

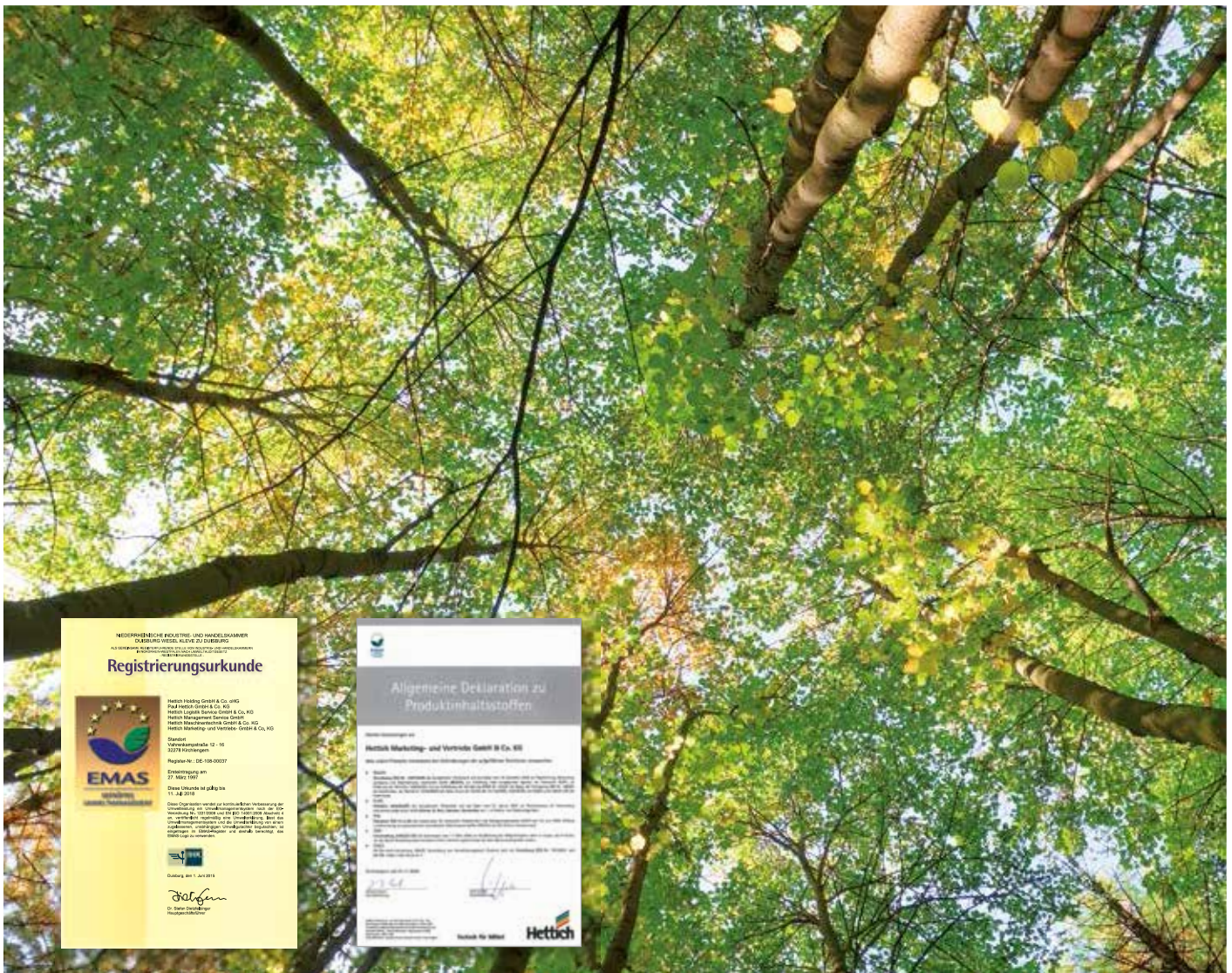


Vertical strain test

Opened all the way, the drawer is additionally exposed to vertical strain from a defined eccentric force.



Hettich and the environment: committed to responsible practice, active protection, innovative thinking.



Hettich accepts responsibility for the world we live in. This awareness defines the strict policy of environmental management we practise. Our environmental officer has taken personal responsibility for these aspects throughout the group of companies over a period of many years. In addition, a separate environment committee has been established for each production site. We regard statutory provisions as minimum requirements. At significant sites we also implement the stringent EMAS Regulation. And we drive forward developments that in future will help to save even more raw materials and support the necessary endeavours towards sustainability.

Hettich standard for product materials

Hettich underpins its commitment by applying an internal standard for product materials. This ensures that every product – from production to disposal – satisfies all environmental requirements. Hettich products are durable. Appropriately foresighted, our rigorous standards are formulated to ensure that international legislation is met as well. This provides a reliable basis for marketing furniture worldwide.

Hettich environmental management

In 1996 Hettich started introducing effective environmental management systems under the stringent EMAS Regulation (currently: EC Regulation No. 761/2001, including EN ISO 14.001/2004). This not only enables us to improve our environmental performance on a broad front but also achieve a high level of safety which, not least, also benefits our customers. This is why we also require our suppliers to meet the necessary minimum standards of environmental protection, industrial safety, health care and social welfare.

The results achieved in the drawer runner and drawer system product segment at the Kirchlengern operation illustrate the impressive effects these measures have and verifiably demonstrate our tireless endeavours to translate words into action:

Relief to the environment between 1997 and 2008:

Specific water consumption:	56 per cent
Specific power consumption:	21 per cent
Specific heat consumption:	84 per cent
Specific CO ₂ emissions:	29 per cent

www.hettich.com

Order no. 9 225 586
1608-014_Drawer_runner_KA_0816_HUS/en

Hettich America, L.P.
4295 Hamilton Mill Road
Suite 400
Buford, GA 30518
Phone: 1-800-438-8424
Fax: 1-800-627-5152
info@hettichamerica.net

Technik für Möbel


Hettich