



Electronic furniture locking systems:
Hettlock RFID



Electronic furniture locking systems: Hettlock RFID

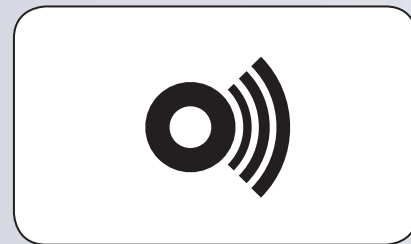
Contents

Benefits and applications: Hettlock RFID	2–3
Easy to integrate for all sorts of applications: Hettlock RFID	4–5
Example applications	6–17
Hettlock RFID: Secure locking systems for furniture and buildings	18–19
Secure, convenient, always to hand: Hettlock controlled by smartphone	20
Fast and tailored to individual needs: issuing locking authorisations by app	21
Countless options: the versatility of Hettlock RFID	22–23
Hettlock RFID range summary	24–25
Ordering	26–59
Planning dimensions	60–64

Benefits and applications: Hettlock RFID

Via RFID, Bluetooth or smartphone

Hettlock RFID gives you an easy and invisible way of unlocking and locking doors, flap doors, drawers and sliding doors. This is done by RFID card, transponder, keypad or smartphone.



The benefits:

- ▶ Easily programmed by card, PC or smartphone
- ▶ Programme and manage with free KleverKey app
- ▶ Every use is logged
- ▶ Easy and fast access management
- ▶ Can be used in furniture as well as in building management systems
- ▶ Selectable: simple to maximum security standard, e.g., with copy protection technology
- ▶ Can be added to existing premises
- ▶ Low-cost data carriers
- ▶ Replaces the mechanical key

Applications

- ▶ Hospitals
- ▶ Glass display cabinets in shops
- ▶ Office furniture in large businesses
- ▶ Parcel locker boxes for parcel services
- ▶ Lockers in sports facilities, schools and universities
- ▶ Lockers in shopping centres
- ▶ Transportation boxes containing confidential matter
- ▶ Key cabinets
- ▶ Medicine cabinets
- ▶ Pharmacy cabinets
- ▶ Private letterboxes
- ▶ Safes in hotels
- ▶ Ski depots at winter sports resorts
- ▶ Numerous applications in the company and home offices



Easy to integrate for all sorts of applications: Hettlock RFID

RFID has proven its worth in many applications, e.g.

- ▶ in controlling admission at doors, turnstiles and barriers
- ▶ in payment systems in gastronomy, in fitness centres or similar applications
- ▶ in recording working hours

Hettlock RFID locks are easily integrated in all of the above applications and can be combined with other systems. Benefit: you then only need one card or one transponder for all applications.



Cafeteria
Payment system



**Swimming pool,
fitness centre etc.**
One card for all
areas, e.g. as
access control and
payment system



Buildings
Access control
at doors and gates,
parking



Ski depot
Access control,
turnstiles



Doctor's surgery
Access authorisation
for the building,
individual rooms,
medicine cabinets etc.



Other applications:
time recording, parking,
hotel rooms, vending machines





1 Doctor's office

This is where only one person is allowed to open the cabinets and drawers: the doctor personally. Hettlock RFID locks give you security and convenience: all locks are opened with just one card or one transponder.

2 Laboratory

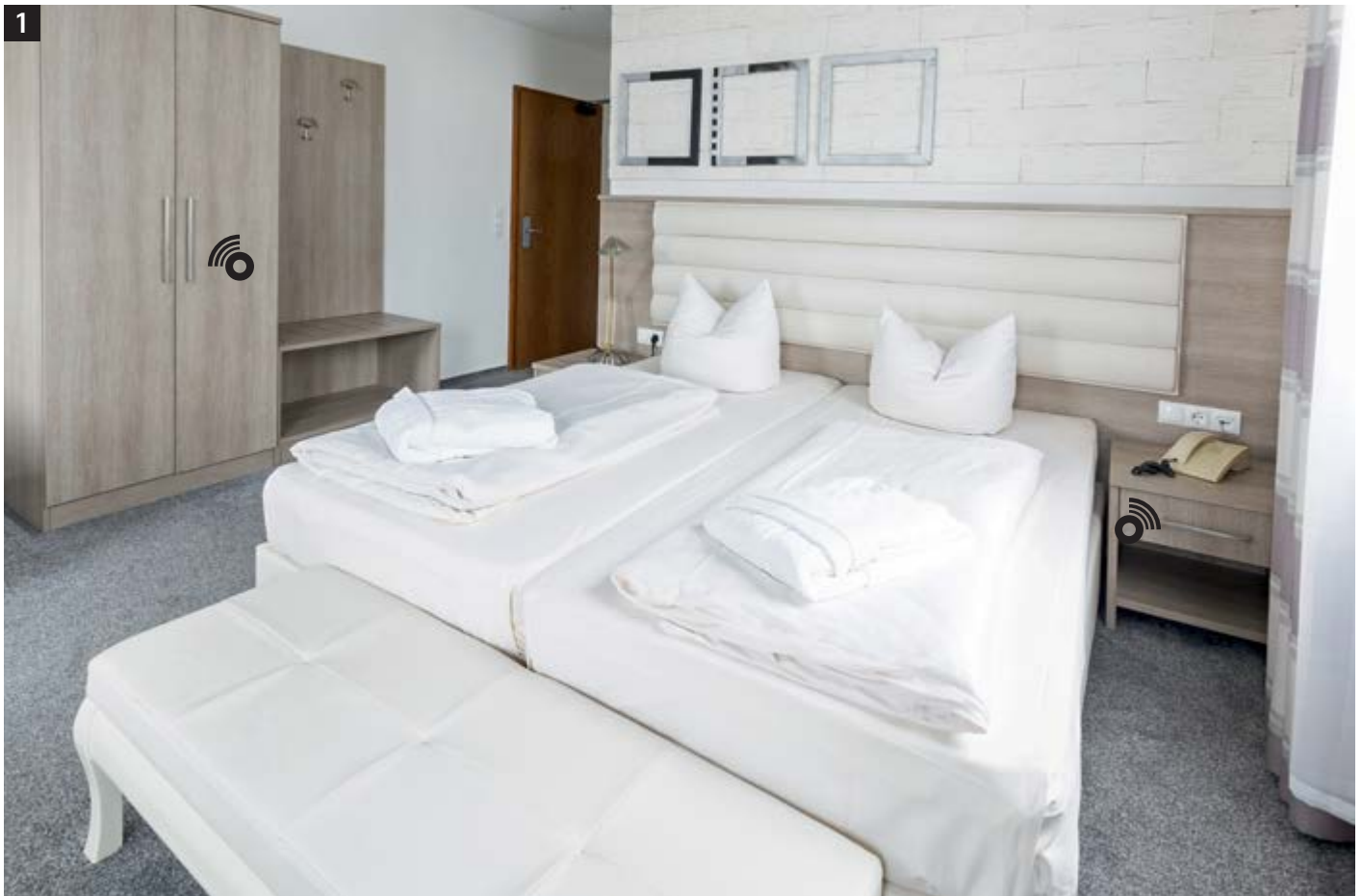
With Hettlock RFID, medicines, laboratory samples and instruments can be locked away behind secure doors and access rights granted to selected members of staff.

3 Patient's room

The greatest possible convenience and security for patients: with only one personal card, patients can lock the cabinet in their room, pay at the kiosk and cafeteria and get access to authorised areas. All very easy and secure with Hettlock RFID.



Hettlock RFID in many aspects of life



- 1 Hotel**
Being able to take advantage of all of the hotel's services with just one user card is particularly convenient for its guests: access to the car park and hotel building, access to the room and spa area, identification in the hotel restaurant, at the bar etc.
- 2 Child protection**
Alcohol, medicines and chemical substances must not be allowed to get into the hands of children. You can be absolutely sure in preventing this from happening with Hettlock RFID locks.
- 3 Parcel locker boxes**
With only one transponder, RFID gives the postman access to all post boxes – post office customers only have access to their parcel locker box with their transponder.



4 Ski depot
The ski pass is essential for using ski lifts. It also provides access to the ski depot if Hettlock RFID locks are installed there.

5 Pharmacy
Medicines must only be accessible to a specific group of persons. With Hettlock RFID, access authorisations can be granted to chosen individuals.

Hettlock RFID at the fitness centre

1 Changing cubicles

The bother of keys is over! The locker at the fitness centre can be unlocked and locked contactlessly with Hettlock RFID transponders.

2 Reception

Hettlock RFID transponders – e.g. in practical cheque card format – can be used for handling all aspects of customer management: member administration, access authorisations, ID at the bar, paying at the end of a stay. This can also be done with the same transponders customers use for their lockers.

3 Bistro / café

Hettlock RFID locks are compatible with most other system makes. For instance, visitors can pay for food and drinks with their customer card or get access to specific areas.



2



3



Hettlock RFID in many aspects of life

1 University / library

Lockers, glass display cabinets, filing cabinets, material drawers etc. can be protected against unauthorised access with Hettlock RFID.

2 School

Even the little ones need to learn how to protect their belongings from theft. School lockers provide a place for keeping school personal items and school materials while they are not being used. And RFID makes them child's play to use.

3 Transportation boxes containing confidential matter

Hettlock RFID locks reliably prevent the transportation box from being opened by unauthorised persons.

4 Shop

Hettlock RFID locks protect valuables in cabinets, drawers and glass display cabinets from unauthorised access. Presenting products now comes

without the bother of handling keys – thanks to contactless locking technology.

5 Domestic household

Hettlock RFID puts an end to key chaos at home as well. A single transponder is all that is needed, for example, to lock and unlock letterbox, filing cabinet, medicine chest and safe with effortless ease.

6 Swimming pools

Hettlock RFID locks even make a visit to the swimming pool a whole lot more convenient. Because a customer wrist band is all it takes to use locker and sauna as well as buy food and drinks.

7 Shopping centres

The facility of dropping off heavy bags, coats etc. is all part of customer service in many shopping centres. Hettlock RFID technology makes lockers far easier to use.



Shutterstock Jens Goepfert





1 Office

This is where it is important for only one person to be allowed to open specific drawers and doors or locks. Other areas may be unlocked by the whole team. Hettlock RFID makes it very easy for you to implement personal unlocking authorisations.



2 Home office

Confidential files, important documents, valuable product samples – they are all easy to protect with Hettlock RFID. For drawers and sliding doors, flap doors, hinged and folding doors.



Hettlock RFID in the work environment

Open plan office

The Hettlock RFID electronic furniture lock opens cabinet doors and drawers as if by magic, is secure, easy to use and compact. Today's RFID generation even goes a number of steps further in terms of security and design: forced entry is virtually ruled out, the system has an integrated alarm and can even be installed out of view in glass display cabinets.



Installation behind hinged doors



Use in drawers



Suitable for sliding doors



RFID card opens hinged doors



Ideal for glass display cabinets



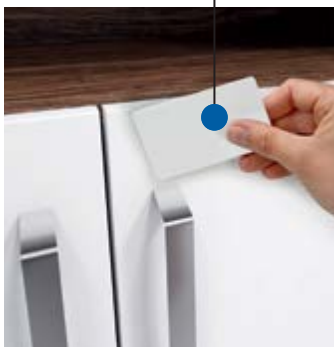
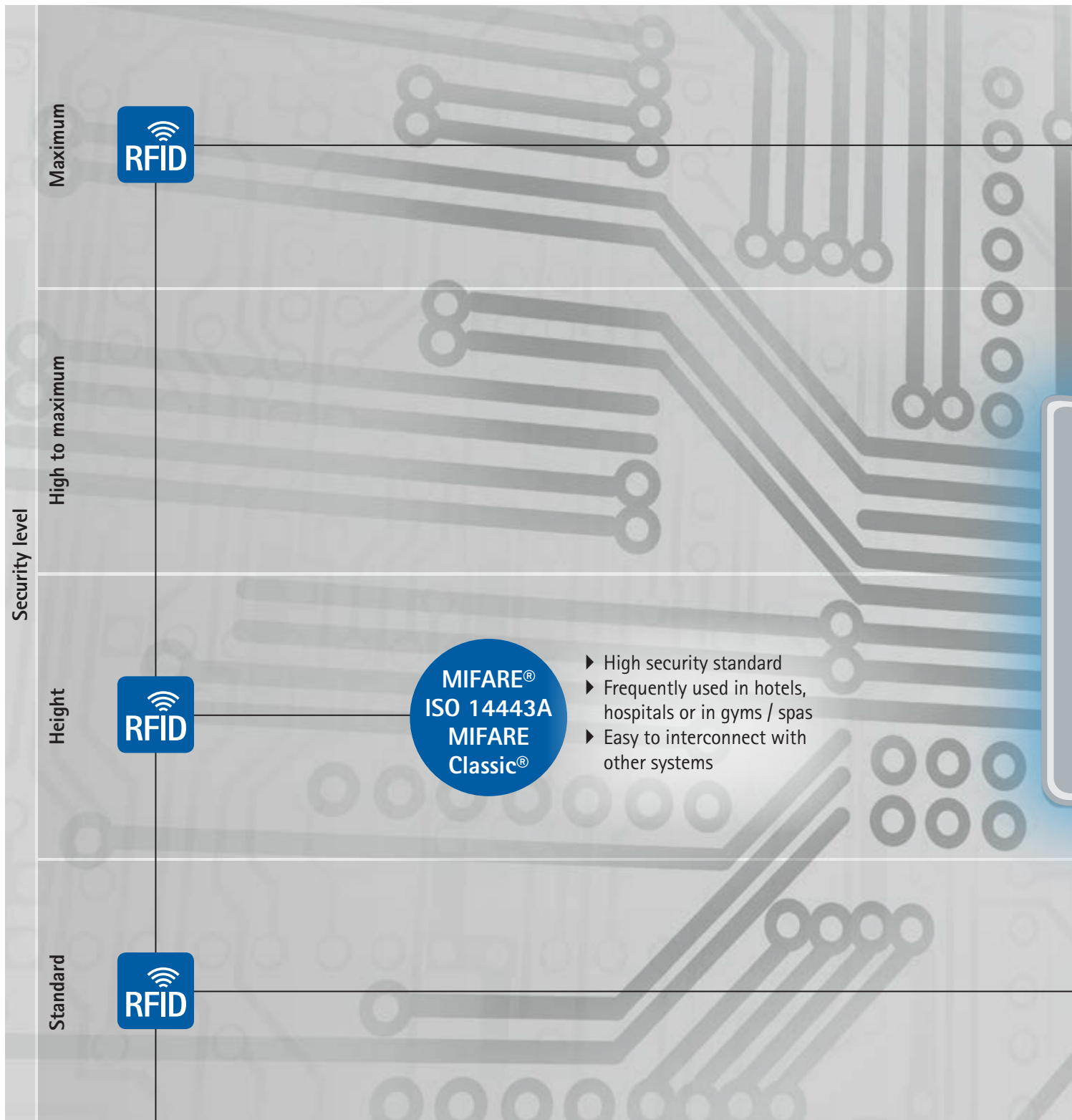
6
Keypad lock with RFID technology



7
RFID lock with Bluetooth
Reading range up to 10 m



8
RFID lock with NFC
Reading range up to 20 m



Hettlock RFID

RFID stands for Radio Frequency Identification, in other words, identification using electromagnetic waves. RFID is the technological basis for transmitter / receiver systems that can automatically identify a user without making contact. Electronic locks working with 125 kHz or 13.56 MHz can be opened or engaged with a transponder or a card. Programming takes place directly on the lock using programming card or unit. This robust and secure locking system is also easy to integrate into building management systems.

Multireader 13.56 MHz

- ▶ Maximum security standard, e.g. LEGIC® or MIFARE®
- ▶ Is used in offices and government authorities
- ▶ Easy to interconnect with other systems
- ▶ Used in applications from furniture making to building management systems

- ▶ High to maximum security standard

Bluetooth and NFC



Proxy 125 kHz

- ▶ Standard solution in furniture making and shop fitting

Bluetooth, NFC

Contactless and invisible identification of the smartphone by Bluetooth or NFC (Near Field Communication) is a practical option. Unlocking the Bluetooth lock is highly encrypted and requires neither a mobile phone network or any Internet connection. Customised programming and administration by the Android or iOS KleverKey app (free of charge from the AppStore or Google Play Store). Bluetooth and NFC are used both in furniture as well as building management systems. Bluetooth for a max. distance of 10 metres, NFC for a short distance of 20 mm.



Secure, conveniently, always to hand: Hettlock controlled by smartphone



Mechanical keys can no longer meet today's demands on security and flexibility. Hettlock locks are easy and convenient to handle – at the same time providing a high standard of security. They communicate with the smartphone via Bluetooth and are controlled by a KleverKey app (iOS or Android). The same app can also be used for locking and unlocking front doors and garage doors.

Optional, convenient administration via KleverKey Cloud (portal)

All authorised persons and all lock activities are listed in the chargeable KleverKey Cloud (Portal). Access via the menu or web browser at: my.KleverKey.com

- ▶ View lock activities (who used a lock and when?)
- ▶ Show lock authorisations (who has authorisation for the lock?)
- ▶ Add a new lock (to view activities as administrator)
- ▶ My profile: adjust settings, manage cloud subscription etc.



Fast and tailored to individual needs: issuing unlocking authorisations by app

Hettlock locks let you prevent unauthorised access to transportation boxes containing confidential matter. And using the KleverKey app, you determine who is allowed to open the box. This combination of convenience and security can be used in many other areas.



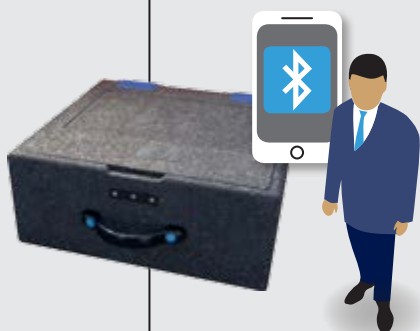
Person A puts the confidential documents into the box. Using the app, he or she finds the box lock and can connect up to it by Bluetooth. From now on, this person is the lock's administrator.



Person A locks the box and hands it over to the transport service provider.



The service provider transports the box to person B.



Person B takes delivery of the box. Using a smartphone, for example, he or she asks the administrator (person A) for authorisation to open the lock.



Person A grants access authorisation to person B using via the app. He or she can define access rights as follows:

- ▶ once only
- ▶ for 24 hours
- ▶ permanently



Person B can now unlock the lock and take out the confidential contents.

Countless options: The versatility of Hettlock RFID

Lock versions

- ▶ Slam lock
- ▶ Slam lock with quick release catch
- ▶ Slam lock for installing in carcase
- ▶ Catch lock
- ▶ Drawer lock
- ▶ Sliding door lock
- ▶ Catch lock with alarm
- ▶ Glass display cabinet lock
- ▶ Slam lock with keypad
- ▶ Locker lock
- ▶ Locker keypad lock



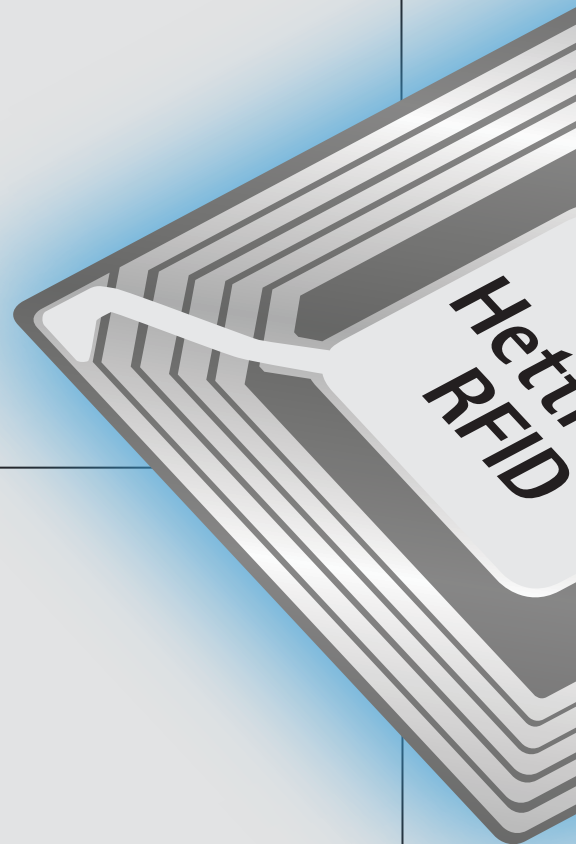
For use in furniture:

- ▶ Hinged doors
- ▶ Flap doors
- ▶ Drawers
- ▶ Sliding doors
- ▶ Folding doors
- ▶ Glass doors



Possible interfaces:

- ▶ Building management systems
- ▶ Time recording
- ▶ Charging systems
- ▶ Management software
- ▶ Parking systems





Systems:

- ▶ Proxy 125 kHz
- ▶ MIFARE® ISO 14443A
- ▶ Multireader 13.56 MHz
- ▶ Master / Slave 125 kHz
- ▶ Bluetooth / NFC
- ▶ MIFARE Classic®
- ▶ Proxy 125 kHz keypad



Applications:

- ▶ Hospitals
- ▶ Glass display cabinets in shops
- ▶ Office furniture in large businesses
- ▶ Parcel locker boxes for parcel services
- ▶ Lockers in sports facilities, schools and universities
- ▶ Lockers in shopping centres
- ▶ Transportation boxes containing confidential matter
- ▶ Key cabinets
- ▶ Medicine cabinets
- ▶ Pharmacy cabinets
- ▶ Private letterboxes
- ▶ Safes in hotels
- ▶ Ski depots at winter sports resorts
- ▶ Numerous applications in the company and home offices



Transponder technologies:

125 kHz: EM4102, EM4200

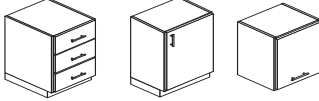
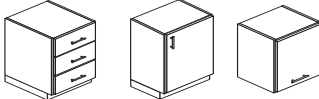
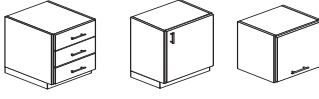
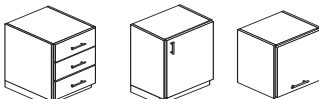

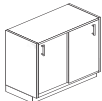
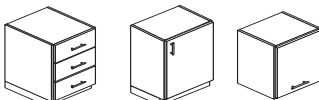
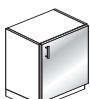
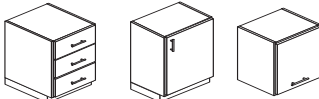
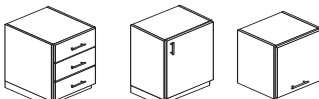
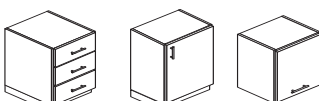
13.56 MHz: ISO 14443A+B, ISO 15693, MIFARE Classic® 1K and 4K, MIFARE Ultralight®, MIFARE® Mini, MIFARE Plus®, MIFARE DESFire®, MIFARE® SLE66R35, LEGIC® advant ATC and CTC, My-D NFC, LEGIC® Prime, I-Code, Picopass, SkiData, Inside Secure, HID iClass any many more

Bluetooth / NFC:

Smartphones with Bluetooth LE and NFC

Minimum requirements:

- iOS 8.4 or higher, Bluetooth 4.0 (LE)
- Android 4.3 or higher, Bluetooth 4.0 (LE) and NFC

Application areas	Proxy, 125 kHz	MIFARE® ISO 14443A
Slam lock 	✓	✓
Slam lock with quick release catch 	✓	✓
Slam lock for installing in carcass 	✓	✓
Catch lock 	✓	✓
Drawer lock 	✓	✓
Sliding door lock 	✓	✓
Catch lock with alarm 	-	-
Glass display cabinet lock 	-	-
Slam lock with keypad 	✓	-
Locker lock 	-	-
Locker keypad lock 	✓	-

Multireader, 13.56 MHz	Master / slave, 125 kHz	Bluetooth and NFC	Freelocker MIFARE Classic®
✓	-	✓	✓
✓	-	✓	-
✓	✓	✓	-
-	-	✓	-
✓	-	✓	-
✓	-	✓	-
✓	✓	-	-
-	✓	-	-
-	-	-	-
-	-	-	✓
-	-	-	-

Proxy slam lock, 125 kHz



- Contactless and invisible identification at 125 kHz
- Compatible with EM4102 and EM4200 RFID transponders (HITAG and HID on request)
- Can be used on hinged doors, flap doors and drawers in furniture
- Straightforward programming by programming card
- 1 programming card and 50 transponders can be programmed per lock
- Up to 20000 locking operations before batteries need changing
- **Please order programming card and transponder separately**
- RFID reading range depends on transponder and installation situation

Set comprises:

- 1 reader and control unit with integrated locking mechanism
- 1 lock adapter with ejector
- 1 screw on panel plate for lock adapter
- 1 stay closed element for double doors
- 1 CR123 A 3-volt battery
- Fixing material

Order no.	PU
9 209 179	1 set

Proxy slam lock, 125 kHz, with quick release catch



- Contactless and invisible identification at 125 kHz
- Compatible with EM4102 and EM4200 RFID transponders (HITAG and HID on request)
- Can be used on hinged doors, flap doors and drawers in furniture
- Protected locking with ejector in the lock
- Straightforward programming by programming card
- 1 programming card and 50 transponders can be programmed per lock
- Up to 10000 locking operations before batteries need changing
- **Please order programming card and transponder separately**
- RFID reading range depends on transponder and installation situation

Set comprises:

- 1 reader and control unit with integrated locking mechanism
- 1 lock adapter
- 2 1.5-volt batteries, AA
- Fixing material

Order no.	PU
9 206 869	1 set

Proxy slam lock, 125 kHz, for installing in carcass



- Contactless and invisible identification at 125 kHz
- Compatible with EM4102 and EM4200 RFID transponders (HITAG and HID on request)
- Can be used on hinged doors, flap doors and drawers in furniture
- Straightforward programming by programming card
- 1 programming card and 50 transponders can be programmed per lock
- Up to 20000 locking operations before batteries need changing
- **Please order programming card and transponder separately**
- RFID reading range depends on transponder and installation situation

Set comprises:

- 1 reader and control unit with integrated locking mechanism
- 1 lock adapter
- 1 CR123 A 3-Volt battery
- Fixing material

Order no.	PU
9 206 870	1 set

Advice

- For accessories, see pages 28 - 30
- For planning dimensions, see pages 60 - 64

Hettlock RFID

▶ Proxy 125 kHz

Proxy catch lock, 125 kHz



- ▶ Contactless and invisible identification at 125 kHz
- ▶ Compatible with EM4102 and EM4200 RFID transponders (HITAG and HID on request)
- ▶ Can be used on hinged doors, flap doors and drawers in furniture
- ▶ Straightforward programming by programming card
- ▶ 1 programming card and 50 transponders can be programmed per lock
- ▶ Up to 20000 locking operations before batteries need changing
- ▶ **Please order programming card and transponder separately**
- ▶ RFID reading range depends on transponder and installation situation

Set comprises:

- ▶ 1 reader and control unit with integrated locking mechanism
- ▶ 1 lock adapter with base plate
- ▶ 1 installation aid
- ▶ 1 CR123 A 3-volt battery
- ▶ Fixing material

Order no.	PU
9 209 180	1 set

Proxy drawer lock, 125 kHz



- ▶ Contactless and invisible identification at 125 kHz
- ▶ Compatible with EM4102 and EM4200 RFID transponders (HITAG and HID on request)
- ▶ Can be used in furniture drawers
- ▶ Straightforward programming by programming card
- ▶ 1 programming card and 50 transponders can be programmed per lock
- ▶ Up to 20000 locking operations before batteries need changing
- ▶ **Please order programming card and transponder separately**
- ▶ RFID reading range depends on transponder and installation situation

Set comprises:

- ▶ 1 reader and control unit with integrated locking mechanism
- ▶ 1 lock adapter
- ▶ 1 CR123 A 3-volt battery
- ▶ Fixing material

Order no.	PU
9 209 181	1 set

Proxy sliding door lock, 125 kHz



- ▶ Contactless and invisible identification at 125 kHz
- ▶ Compatible with EM4102 and EM4200 RFID transponders (HITAG and HID on request)
- ▶ Can be used on sliding furniture doors
- ▶ Straightforward programming by programming card
- ▶ 1 programming card and 50 transponders can be programmed per lock
- ▶ Approx. 20000 locking operations before batteries need changing
- ▶ **Please order programming card and transponder separately**
- ▶ RFID reading range depends on transponder and installation situation

Set comprises:

- ▶ 1 reader and control unit with integrated locking mechanism
- ▶ 1 lock adapter
- ▶ 1 CR123 A 3-volt battery
- ▶ Fixing material

Order no.	PU
9 206 871	1 set

Advice

- ▶ For accessories, see pages 28 - 30
- ▶ For planning dimensions, see pages 60 - 64

User card with Proxy 125 kHz transponder



- Can be used as user or programming card
- Passive transponder with RFID system EM4102
- The card has a reading range of up to 30 mm
- An external antenna must be used in conjunction with metal surfaces
- Card in cheque card format, white, can be printed on request
- Delivered unprogrammed, programming takes place directly on the lock

Page reference:

- For user card imprint, see page 58

Order no.	PU
9 206 879	1 ea.

Key fob with Proxy 125 kHz transponder



- Can be used as user or programming transponder
- Passive transponder with RFID system EM4102
- Transponders have a reading range of up to 25 mm
- An external antenna must be used in conjunction with metal surfaces
- Housing, black / white plastic, with symbol
- Delivered unprogrammed, programming takes place directly on the lock

Order no.	PU
9 078 844	1/5 each

Clamshell card with Proxy 125 kHz transponder



- Can be used as user or programming card
- Passive transponder with RFID system EM4102
- The card has a reading range of up to 40 mm
- An external antenna must be used in conjunction with metal surfaces
- Dimensions 54 x 86 x 1.9 mm
- Delivered unprogrammed, programming takes place directly on the lock

Order no.	PU
9 206 878	1 ea.

Proxy service card, open / close, 125 kHz



- Can be used with programmed programming card at the lock
- Changing from standard operating mode (automatic locking) to open / close mode (unlocking and locking only with transponder)
- Card in cheque card format, white, with printed on quick guide

Set comprises:

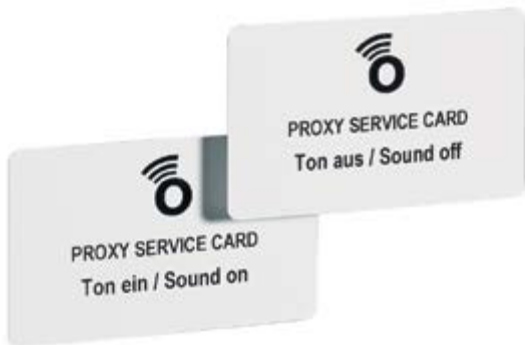
- 1 card for changing to open / close
- 1 card for changing to standard

Order no.	PU
9 206 881	1 set

Hettlock RFID

▶ Proxy 125 kHz accessories

Proxy service card, sound on / off, 125 kHz



- ▶ Can be used with programmed programming card at the lock
- ▶ Changing from standard "sound on" operating mode to "sound off" mode
- ▶ Card in cheque card format, white, with printed on quick guide

Set comprises:

- ▶ 1 card for changing to sound on
- ▶ 1 card for changing to sound off

Order no.	PU
9 206 882	1 set

Duplicate card with Proxy 125 kHz transponder



- ▶ Duplicate of an EM4102 RFID transponder
- ▶ The card has a reading range of up to 30 mm
- ▶ An external antenna must be used in conjunction with metal surfaces
- ▶ Card in cheque card format, white, can be printed on request
- ▶ Delivered unprogrammed, programming takes place directly on the lock

Page reference:

- ▶ For user card imprint, see page 58

Order no.	PU
9 206 880	10 ea.

Hettlock RFID Proxy external antenna, 125 kHz



- ▶ Antenna for external use, e.g. on the outside of furniture
- ▶ Required in conjunction with front panel materials or thicknesses that attenuate signal transmission
- ▶ Dimensions 64 x 29 x 9 mm

Set comprises:

- ▶ 1 cable
- ▶ 1 antenna with holder and screws

Colour	Order no. / cable length in mm		PU
	300	1000	
Black	9 209 498	9 206 875	1 set
Silver	9 209 499	9 206 876	1 set
White	9 209 500	9 206 877	1 set

For planning dimensions, see page 65.

External antenna with Proxy handle, 125 kHz



- Antenna, including handle, for external use, e.g. on the outside of furniture
- Required in conjunction with front panel materials or thicknesses that attenuate signal transmission
- Dimensions 55 x 37 x 10 mm

Set comprises:

- 1 cable
- 1 grip handle
- 1 base plate
- 1 cover with antenna

Colour	Order no. / cable length in mm		PU
	300	1000	
Black	9 209 501	9 206 872	1 set
Silver	9 209 502	9 206 873	1 set
White	9 209 503	9 206 874	1 set

For planning dimensions, see page 65.

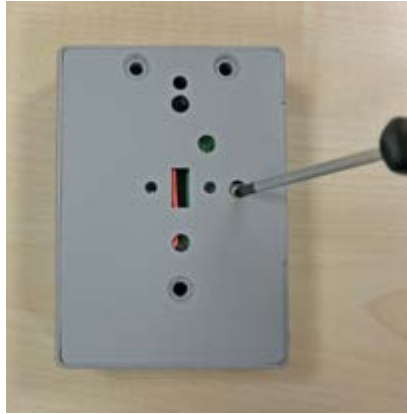
Initial situation

The lock is neutral on delivery. No programming card or transponder is programmed.



1. Set up programming card

Keep the lock's programming button pressed until you hear a continuous acoustic signal. Then let the button go. You will now immediately hear a ticking sound. During the next 7 seconds you must hold the programming card up against the coding point one time only. Now you will hear a prolonged confirmation signal. The programming card is now set up.



2. Set up data carrier

One time only, hold the set-up programming card against the coding point. You will hear a ticking sound for approx. 7 seconds. While you hear this ticking sound, hold the data carrier against the coding point to read it in until you hear a confirmation signal (tune). The data carrier is now set up.



3. Check data carrier for proper working order



One time only, hold the data carrier up against the coding point. The confirmation signal sounds again and the lock opens. Repeat steps 2 to 3 to create further data carriers.

Slam lock, MIFARE® ISO 14443 A



- ▶ Contactless and invisible identification at 13.56 MHz
- ▶ Compatible with RFID transponders MIFARE® and ISO 14443A: MIFARE Classic® 1K and 4K, MIFARE Ultralight®, MIFARE® Mini, MIFARE Plus®, MIFARE® DESFire®, MIFARE® SLE66R35, LEGIC® advant ATC2048 and ATC4096, My-D NFC
- ▶ Can be used on hinged doors, flaps and drawers (LAD) in furniture
- ▶ 3 programming cards and 47 transponders can be programmed per lock
- ▶ Straightforward programming by programming card
- ▶ Up to 15000 locking operations before batteries need changing
- ▶ **Please order programming card and transponder separately**
- ▶ RFID reading range depends on the transponder and installation situation

Set comprises:

- ▶ 1 reader and control unit with integrated locking mechanism
- ▶ 1 lock adapter with ejector
- ▶ 1 screw on panel plate for lock adapter
- ▶ 1 stay closed element for double doors
- ▶ 1 CR123 A 3-volt battery
- ▶ Fixing material

Order no.	PU
9 206 883	1 set

Slam lock with quick action locking, MIFARE® ISO 14443A



- ▶ Contactless and invisible identification at 13.56 MHz
- ▶ Compatible with RFID transponders MIFARE® and ISO 14443A: MIFARE Classic® 1K and 4K, MIFARE Ultralight®, MIFARE® Mini, MIFARE Plus®, MIFARE® DESFire®, MIFARE® SLE66R35, LEGIC® advant ATC2048 and ATC4096, My-D NFC
- ▶ Protected locking with ejector in the lock
- ▶ Can be used on hinged doors and flap doors (drawer) in furniture
- ▶ 3 programming cards and 47 transponders can be programmed per lock
- ▶ Straightforward programming by programming card
- ▶ Up to 10000 locking operations before batteries need changing
- ▶ **Please order programming card and transponder separately**
- ▶ RFID reading range depends on the transponder and installation situation

Set comprises:

- ▶ 1 reader and control unit with integrated locking mechanism
- ▶ 1 lock adapter
- ▶ 2 1.5-volt batteries, AA
- ▶ Fixing material

Order no.	PU
9 206 884	1 set

Slam lock for installing in carcass, MIFARE® ISO 14443A



- ▶ Contactless and invisible identification at 13.56 MHz
- ▶ Compatible with RFID transponders MIFARE® and ISO 14443A: MIFARE Classic® 1K and 4K, MIFARE Ultralight®, MIFARE® Mini, MIFARE Plus®, MIFARE® DESFire®, MIFARE® SLE66R35, LEGIC® advant ATC2048 and ATC4096, My-D NFC
- ▶ Can be used on hinged doors, flap doors and drawers in furniture
- ▶ 3 programming cards and 47 transponders can be programmed per lock
- ▶ Straightforward programming by programming card
- ▶ Up to 15000 locking operations before batteries need changing
- ▶ **Please order programming card and transponder separately**
- ▶ RFID reading range depends on the transponder and installation situation

Set comprises:

- ▶ 1 reader and control unit with integrated locking mechanism
- ▶ 1 lock adapter
- ▶ 1 CR123 A 3-volt battery
- ▶ Fixing material

Order no.	PU
9 206 885	1 set

Advice

- ▶ For accessories, see pages 34 - 35
- ▶ For planning dimensions, see pages 60 - 64

MIFARE® ISO 14443A catch lock



- Contactless and invisible identification at 13.56 MHz
- Compatible with RFID transponders MIFARE® and ISO 14443A: MIFARE Classic® 1K and 4K, MIFARE Ultralight®, MIFARE® Mini, MIFARE Plus®, MIFARE® DESFire®, MIFARE® SLE66R35, LEGIC® advant ATC2048 and ATC4096, My-D NFC
- Can be used on hinged doors, flap doors and drawers in furniture
- 3 programming cards and 47 transponders can be programmed per lock
- Straightforward programming by programming card
- Up to 15000 locking operations before batteries need changing
- **Please order programming card and transponder separately**
- RFID reading range depends on the transponder and installation situation

Set comprises:

- 1 reader and control unit with integrated locking mechanism
- 1 lock adapter with base plate
- 1 installation aid
- 1 CR123 A 3-volt battery
- Fixing material

Order no.	PU
9 206 886	1 set

MIFARE® ISO 14443A drawer lock



- Contactless and invisible identification at 13.56 MHz
- Compatible with RFID transponders MIFARE® and ISO 14443A: MIFARE Classic® 1K and 4K, MIFARE Ultralight®, MIFARE® Mini, MIFARE Plus®, MIFARE® DESFire®, MIFARE® SLE66R35, LEGIC® advant ATC2048 and ATC4096, My-D NFC
- Can be used in furniture drawers
- 3 programming cards and 47 transponders can be programmed per lock
- Straightforward programming by programming card
- Up to 15000 locking operations before batteries need changing
- **Please order programming card and transponder separately**
- RFID reading range depends on the transponder and installation situation

Set comprises:

- 1 reader and control unit with integrated locking mechanism
- 1 lock adapter
- 1 CR123 A 3-volt battery
- Fixing material

Order no.	PU
9 206 887	1 set

MIFARE® ISO 14443A sliding door lock



- Contactless and invisible identification at 13.56 MHz
- Compatible with RFID transponders MIFARE® and ISO 14443A: MIFARE Classic® 1K and 4K, MIFARE Ultralight®, MIFARE® Mini, MIFARE Plus®, MIFARE® DESFire®, MIFARE® SLE66R35, LEGIC® advant ATC2048 and ATC4096, My-D NFC
- Can be used on sliding furniture doors
- 3 programming cards and 47 transponders can be programmed per lock
- Straightforward programming by programming card
- Up to 15000 locking operations before batteries need changing
- **Please order programming card and transponder separately**
- RFID reading range depends on the transponder and installation situation

Set comprises:

- 1 reader and control unit with integrated locking mechanism
- 1 lock adapter
- 1 CR123 A 3-volt battery
- Fixing material

Order no.	PU
9 206 888	1 set

Advice

- For accessories, see pages 34 - 35
- For planning dimensions, see pages 60 - 64

MIFARE Classic® 1K user card



- ▶ Can be used as user or programming card
- ▶ Passive transponder with RFID system MIFARE Classic®
- ▶ Contactless reading capability up to 30 mm
- ▶ An external antenna must be used in conjunction with metal surfaces
- ▶ Card in cheque card format, white, can be printed on request
- ▶ Delivered unprogrammed, programming takes place directly at the lock

Page reference:

- ▶ For user card imprint, see page 58

Order no.	PU
9 141 862	1 ea.

MIFARE Classic® 1K transponder



- ▶ Can be used as user or programming transponder
- ▶ Passive transponder with RFID system MIFARE® ISO 14443A
- ▶ Contactless reading capability up to 20 mm
- ▶ Plastic, black / white

Order no.	PU
9 141 863	1/5 each

MIFARE® ISO 14443A programming / master card set



- ▶ Passive transponder with RFID system MIFARE Classic®
- ▶ The card has a reading range of up to 30 mm
- ▶ Card in cheque card format, white, printed
- ▶ Delivered unprogrammed, programming takes place directly on the lock

Set comprises:

- ▶ 3 programming / master cards

Order no.	PU
9 206 895	1 set

MIFARE® ISO 14443A external antenna



- ▶ Antenna for external use, e.g. on the outside of furniture
- ▶ Required in conjunction with front panel materials or thicknesses that attenuate signal transmission
- ▶ Dimensions 64 x 29 x 9 mm

Set comprises:

- ▶ 1 cable
- ▶ 1 antenna, holder and screws

Colour	Order no. / cable length in mm		PU
	300	1000	
Black	9 209 504	9 206 892	1 set
Silver	9 209 505	9 206 893	1 set
White	9 209 506	9 206 894	1 set

For planning dimensions, see page 65.

External antenna with handle, MIFARE® ISO 14443A



- ▶ Antenna, including handle, for external use, e.g. on the outside of furniture
- ▶ Required in conjunction with front panel materials or thicknesses that attenuate signal transmission
- ▶ Dimensions 55 x 37 x 10 mm

Set comprises:

- ▶ 1 cable
- ▶ 1 grip handle
- ▶ 1 base plate
- ▶ 1 cover with antenna

Colour	Order no. / cable length in mm		PU
	300	1000	
Black	9 209 507	9 206 889	1 set
Silver	9 209 509	9 206 890	1 set
White	9 209 510	9 206 891	1 set

For planning dimensions, see page 65.

Multireader slam lock, 13.56 MHz



- Contactless and invisible identification for 13.56 MHz
- Compatible with RFID transponders ISO 14443A+B, ISO 15693, MIFARE Classic® 1K and 4K, MIFARE Ultralight®, MIFARE® Mini, MIFARE Plus®, MIFARE® DESFire®, MIFARE® SLE66R35, LEGIC® advant ATC and CTC, My-D NFC, LEGIC® Prime, I-Code, Picopass, SkiData, Inside Secure, HID iClass and many more
- Can be used on hinged doors, flaps and drawers (LAD) in furniture
- 2 types of programming are possible
 - by cards: 1 super master card, 5 group master cards each with 64 transponders per lock (please order separately)
 - by PC software: mobile programming device, logging and management on PC (please order separately)
- 4 different operating modes can be selected
- Approx. 10000 locking operations before batteries need changing
- RFID reading range depends on transponder and installation situation

Set comprises:

- 1 reader and control unit with integrated locking mechanism
- 1 lock adapter with ejector
- 1 screw on panel plate for lock adapter
- 1 stay closed element for double doors
- 1 CR123 A 3-volt battery
- Fixing material

Order no.	PU
9 136 964	1 set

Multireader slam lock, 13.56 kHz, with quick release catch



- Contactless and invisible identification for 13.56 MHz
- Compatible with RFID transponders ISO 14443A+B, ISO 15693, MIFARE Classic® 1K and 4K, MIFARE Ultralight®, MIFARE® Mini, MIFARE Plus®, MIFARE® DESFire®, MIFARE® SLE66R35, LEGIC® advant ATC and CTC, My-D NFC, LEGIC® Prime, I-Code, Picopass, SkiData, Inside Secure, HID iClass and many more
- Can be used on hinged doors, flaps and drawers (LAD) in furniture
- Protected locking with ejector in the lock
- 2 types of programming are possible
 - by cards: 1 super master card, 5 group master cards each with 64 transponders per lock (please order separately)
 - by PC software: mobile programming device, logging and management on PC (please order separately)
- 4 different operating modes can be selected
- Approx. 10000 locking operations before batteries need changing
- RFID reading range depends on transponder and installation situation

Set comprises:

- 1 reader and control unit with integrated locking mechanism
- 1 lock adapter
- 2 1.5-volt batteries, AA
- Fixing material

Order no.	PU
9 206 897	1 set

Advice

- For accessories, see pages 39 - 42
- For planning dimensions, see pages 60 - 64

Multireader slam lock, 13.56 MHz, for installing in the carcass



- Contactless and invisible identification for 13.56 MHz
- Compatible with RFID transponders ISO 14443A+B, ISO 15693, MIFARE Classic® 1K and 4K, MIFARE Ultralight®, MIFARE® Mini, MIFARE Plus®, MIFARE® DESFire®, MIFARE® SLE66R35, LEGIC® advant ATC and CTC, My-D NFC, LEGIC® Prime, I-Code, Picopass, SkiData, Inside Secure, HID iClass and many more
- Can be used on hinged doors, flap doors and drawers in furniture
- 2 types of programming are possible
 - by cards: 1 super master card, 5 group master cards each with 64 transponders per lock (please order separately)
 - by PC software: mobile programming device, logging and management on PC (please order separately)
- 4 different operating modes can be selected
- External power connection for mains operation
- "Door open for too long" and / or "forced entry" alarm function
- Connection for master / slave, series connection
- Approx. 10000 locking operations before batteries need changing
- RFID reading range depends on transponder and installation situation

Set comprises:

- 1 reader and control unit with integrated locking mechanism
- 1 lock adapter
- 1 CR123 A 3-Volt battery
- Fixing material

Order no.	PU
9 206 898	1 set

Multireader catch lock, 13.56 MHz



- Contactless and invisible identification for 13.56 MHz
- Compatible with RFID transponders ISO 14443A+B, ISO 15693, MIFARE Classic® 1K and 4K, MIFARE Ultralight®, MIFARE® Mini, MIFARE Plus®, MIFARE® DESFire®, MIFARE® SLE66R35, LEGIC® advant ATC and CTC, My-D NFC, LEGIC® Prime, I-Code, Picopass, SkiData, Inside Secure, HID iClass and many more
- Can be used on hinged doors, flap doors and drawers in furniture
- 2 types of programming are possible
 - by cards: 1 super master card, 5 group master cards each with 64 transponders per lock (please order separately)
 - by PC software: mobile programming device, logging and management on PC (please order separately)
- 4 different operating modes can be selected
- External power connection for mains operation
- "Door open for too long" and / or "forced entry" alarm function
- Connection for master / slave, series connection
- Approx. 10000 locking operations before batteries need changing
- RFID reading range depends on transponder and installation situation

Set comprises:

- 1 reader and control unit with integrated locking mechanism
- 1 lock adapter with base plate
- 1 installation aid
- 1 CR123 A 3-Volt battery
- Fixing material

Order no.	PU
9 136 967	1 set

Advice

- For accessories, see pages 39 - 42
- For planning dimensions, see pages 60 - 64

Multireader drawer lock, 13.56 MHz



- Contactless and invisible identification for 13.56 MHz
- Compatible with RFID transponders ISO 14443A+B, ISO 15693, MIFARE Classic® 1K and 4K, MIFARE Ultralight®, MIFARE® Mini, MIFARE Plus®, MIFARE® DESFire®, MIFARE® SLE66R35, LEGIC® advant ATC and CTC, My-D NFC, LEGIC® Prime, I-Code, Picopass, SkiData, Inside Secure, HID iClass and many more
- Can be used in furniture drawers
- 2 types of programming are possible
 - by cards: 1 super master card, 5 group master cards each with 64 transponders per lock (please order separately)
 - by PC software: mobile programming device, logging and management on PC (please order separately)
- 4 different operating modes can be selected
- Approx. 10000 locking operations before batteries need changing
- RFID reading range depends on transponder and installation situation

Set comprises:

- 1 reader and control unit with integrated locking mechanism
- 1 lock adapter
- 1 CR123 A 3-Volt battery
- Fixing material

Order no.	PU
9 136 965	1 set

Multireader sliding door lock, 13.56 MHz



- Contactless and invisible identification for 13.56 MHz
- Compatible with RFID transponders ISO 14443A+B, ISO 15693, MIFARE Classic® 1K and 4K, MIFARE Ultralight®, MIFARE® Mini, MIFARE Plus®, MIFARE® DESFire®, MIFARE® SLE66R35, LEGIC® advant ATC and CTC, My-D NFC, LEGIC® Prime, I-Code, Picopass, SkiData, Inside Secure, HID iClass and many more
- Can be used on sliding furniture doors
- 2 types of programming are possible
 - by cards: 1 super master card, 5 group master cards each with 64 transponders per lock (please order separately)
 - by PC software: mobile programming device, logging and management on PC (please order separately)
- 4 different operating modes can be selected
- External power connection for mains operation
- "Door open for too long" and / or "forced entry" alarm function
- Connection for master / slave, series connection
- Approx. 10000 locking operations before batteries need changing
- RFID reading range depends on transponder and installation situation

Set comprises:

- 1 reader and control unit with integrated locking mechanism
- 1 lock adapter
- 1 CR123 A 3-Volt battery
- Fixing material

Order no.	PU
9 207 190	1 set

Advice

- For accessories, see pages 39 - 42
- For planning dimensions, see pages 60 - 64

Hettlock RFID

► Multireader accessories, 13.56 MHz

Super master card, 13.56 MHz



- Special programming card for programming the group master cards
- The card has a reading range of up to 30 mm
- Card in cheque card format, white, printed
- Delivered unprogrammed, programming takes place directly on the lock

Order no.	PU
9 136 968	1 ea.

Group master card, 13.56 MHz



- Special programming card for programming the user cards
- A maximum of 5 group master cards can be programmed per lock
- A maximum of 64 transponders can be programmed per group master card
- The card has a reading range of up to 30 mm
- Card in cheque card format, white, printed
- Delivered unprogrammed, programming takes place directly on the lock

Order no.	PU
9 136 969	1 ea.

User card, 13.56 MHz



- Passive transponder with RFID system
- Can be used as user card
- A maximum of 320 user cards can be programmed per lock
- The card has a reading range of up to 30 mm
- Card in cheque card format, white, can be printed on request
- An external antenna must be used in conjunction with metal surfaces
- Delivered unprogrammed, programming takes place directly on the lock

Page reference:

- For user card imprint, see page 58

Order no.	PU
9 209 184	1 ea.

Hettlock RFID transponder 13.56 MHz



- Passive transponder with RFID system LEGIC® Prime
- Transponders have a reading range of up to 25 mm
- Plastic, black / white
- Delivered unprogrammed, programming directly at the lock

Order no.	PU
9 136 970	5 ea.

Hettlock RFID

► Multireader accessories, 13.56 MHz

Multireader service card, open / close, 13.56 kHz



- Can be used with programmed super master card at the lock
- Changing from standard operating mode (automatic locking) to open / close mode (unlocking and locking only with transponder)
- Card in cheque card format, white, with printed on quick guide

Order no.	PU
9 209 185	1 ea.

Multireader service card, sound on / off, 13.56 MHz



- Can be used with programmed super master card at the lock
- Changing from standard "sound on" operating mode to "sound off" mode
- Card in cheque card format, white, with printed on quick guide

Set comprises:

- 1 card for changing to sound on
- 1 card for changing to sound off

Order no.	PU
9 209 186	1 ea.

RFID Multireader external antenna, 13.56 MHz



- Antenna for external use, e.g. on the outside of furniture
- Required in conjunction with front panel materials or thicknesses that attenuate signal transmission
- Dimensions 65 x 29 x 9 mm

Set comprises:

- 1 cable
- 1 antenna with holder, screws

Colour	Order no. / cable length in mm		PU
	300	1000	
Black	9 209 511	9 206 905	1 set
Silver	9 209 512	9 206 906	1 set
White	9 209 513	9 206 907	1 set

For planning dimensions, see page 65.

Hettlock RFID

▶ Multireader accessories, 13.56 MHz

RFID Multireader external antenna with handle, 13.56 MHz



- ▶ Additional antenna for external use, e.g. on the outside of furniture
- ▶ Required in conjunction with front panel materials or thicknesses that attenuate signal transmission
- ▶ Dimensions 55 x 37 x 10 mm

Set comprises:

- ▶ 1 cable
- ▶ 1 grip handle
- ▶ 1 base plate
- ▶ 1 cover with antenna

Colour	Order no. / cable length in mm		PU
	300	1000	
Black	9 209 514	9 206 902	1 set
Silver	9 209 515	9 206 903	1 set
White	9 209 516	9 206 904	1 set

For planning dimensions, see page 65.

Mobile programming unit for Multireader, 13.56 MHz



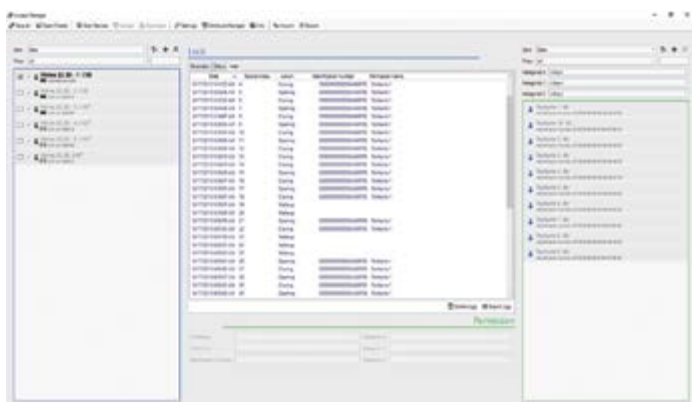
- ▶ For straightforward, mobile programming of complex lock systems
- ▶ Can be used as RFID table top reader for ISO 14443A transponders (UID)
- ▶ The mobile programming device is a rechargeable battery operated, universal data transfer tool for bidirectional data communication with locks via RFID HF interface. It is the connection between the locks in complex systems and the PC on which the Access Manager software is installed.

Set comprises:

- ▶ 1 mobile programming device
- ▶ 1 USB cable for PC connection and for recharging

Order no.	PU
9 206 900	1 set

PC software for Multireader, 13.56 MHz



- ▶ PC controlled programming of all Multireader 13.56 MHz locks
- ▶ The modern PC software with its clearly structured Windows user interface is the central element for programming the locks. User authorisations are easily assigned to locks, group functions, function for importing IDs, function for exporting external software programs, logging of lock functions, configuration of all lock settings, e.g. alarm functions, access log, battery status messages, settings for segment structure of customer transponder, unlocking mode, lock mode etc.

Set comprises:

- ▶ 1 USB stick with Access Manager software

Order no.	PU
9 206 899	1 set

USB table top reader for Access Manager software



- USB table top reader for Multireader 13.56 MHz RFID transponder
- The table top reader is necessary if the customer does not wish to use an ISO14443A transponder or segments on the transponder
- Can be used as RFID table top reader compatible with ISO 14443A+B, ISO 15693, MIFARE Classic® 1K and 4K, MIFARE Ultralight®, MIFARE® Mini, MIFARE Plus®, MIFARE® DESFire®, MIFARE® SLE66R35, LEGIC® advant ATC and CTC, My-D NFC, LEGIC® Prime, I-Code, Picopass, Ski-Data, Inside Secure, HID iClass any many more

Order no.	PU
9 209 191	1 ea.



Slam lock with external antenna for metal doors.

Hettlock RFID

► Master / Slave 125 kHz

Slam lock, master / slave, 125 kHz, for installing in carcass



- Contactless and invisible identification at 125 kHz
- Compatible with EM4102 and EM4200 RFID transponders (HITAG and HID on request)
- Can be used on hinged doors, flap doors and drawers in furniture
- **Connection for master / slave, series connection**
- 3 programming cards and 47 transponders can be programmed per lock
- 4 different operating modes can be selected
- External power connection for mains operation
- "Door open for too long" alarm function
- "Forced entry" alarm function
- Connection for external LED
- Straightforward programming by programming card
- Up to 15000 locking operations before batteries need changing
- **Please order programming cards and transponders separately**
- RFID reading range depends on transponder and installation situation

Set comprises:

- 1 control unit with integrated locking mechanism
- 1 lock adapter
- 1 CR123 A 3-volt battery
- Fixing material

Order no.	PU
9 209 192	1 set

Catch lock, master / slave, 125 kHz



- Contactless and invisible identification at 125 kHz
- Compatible with EM4102 and EM4200 RFID transponders (HITAG and HID on request)
- Can be used on hinged doors, flap doors and drawers in furniture
- **Connection for master / slave, series connection**
- 3 programming cards and 47 transponders can be programmed per lock
- 4 different operating modes can be selected
- External power connection for mains operation
- "Door open for too long" alarm function
- "Forced entry" alarm function
- Connection for external LED
- Straightforward programming by programming card
- Up to 15000 locking operations before batteries need changing
- **Please order programming cards and transponders separately**
- RFID reading range depends on transponder and installation situation

Set comprises:

- 1 reader and control unit with integrated locking mechanism
- 1 lock adapter with base plate
- 1 installation aid
- 1 CR123 A 3-volt battery
- Fixing material

Order no.	PU
9 206 921	1 set

Advice

- For accessories, see pages 46 - 48
- For planning dimensions, see pages 60 - 64

Hettlock RFID

▶ Master / Slave 125 kHz

Glass door lock, master / slave, 125 kHz



- ▶ Contactless and invisible identification at 125 kHz
- ▶ Compatible with EM4102 and EM4200 RFID transponders (HITAG and HID on request)
- ▶ For use on glass doors
- ▶ **Connection for master / slave, series connection**
- ▶ 3 programming cards and 47 transponders can be programmed per lock
- ▶ 4 different operating modes can be selected
- ▶ External power connection for mains operation
- ▶ Optional "door open for too long" alarm function for the open / close mode
- ▶ Optional "forced entry" alarm function for the open / close mode
- ▶ Connection for external LED
- ▶ Straightforward programming by programming card
- ▶ Up to 15000 locking operations before batteries need changing
- ▶ **Please order programming cards, transponders and external antenna separately**
- ▶ RFID reading range depends on transponder and installation situation

Set comprises:

- ▶ 1 control unit with integrated locking mechanism
- ▶ 1 lock adapter with diverter unit
- ▶ 1 strike locking component for 4-6 mm glass doors
- ▶ 1 CR123 A 3-volt battery
- ▶ Fixing material

Order no.	PU
9 206 938	1 set

Advice

- ▶ For accessories, see pages 46 - 48
- ▶ For planning dimensions, see pages 60 - 64

Hettlock RFID

► Master / slave accessories, 125 kHz, and glass door lock, 125 kHz

User card with Proxy 125 kHz transponder



- Can be used as user or programming card
- Passive transponder with RFID system EM4102
- The card has a reading range of up to 30 mm
- An external antenna must be used in conjunction with metal surfaces
- Card in cheque card format, white, can be printed on request
- Delivered unprogrammed, programming takes place directly on the lock

Page reference:

- For user card imprint, see page 58

Order no.	PU
9 206 879	1 ea.

Key fob with Proxy 125 kHz transponder



- Can be used as user or programming transponder
- Passive transponder with RFID system EM4102
- Transponders have a reading range of up to 25 mm
- An external antenna must be used in conjunction with metal surfaces
- Housing, black / white plastic, with symbol
- Delivered unprogrammed, programming takes place directly on the lock

Order no.	PU
9 078 844	1/5 each

Programming / master card set for Proxy master / slave, 125 kHz



- Passive Transponder with EM4102 RFID transponder
- The card has a reading range of up to 30 mm
- Card in cheque card format, white, printed
- Delivered unprogrammed, programming takes place directly on the lock

Set comprises:

- 3 programming / master cards

Order no.	PU
9 206 927	1 set

Card sets for setting Proxy master / slave 125 kHz locks



- Can be used with programmed programming card at the lock
- Card in cheque card format, white, with printed on quick guide

Set comprises:

- 1 set of service cards for changing mode (4 modes)
- 1 set of service cards for turning sound on / off
- 1 set of service cards for turning master / slave on / off
- 1 set of service cards for turning alarm on / off
- 1 set of service cards for turning forced entry alarm on / off
- 1 set of service cards for battery operation / mains power

Order no.	PU
9 206 926	1 set

Hettlock RFID

▶ Master / slave accessories, 125 kHz, and glass door lock, 125 kHz

Hettlock RFID Proxy external antenna, 125 kHz



- ▶ Antenna for external use, e.g. on the outside of furniture
- ▶ Required in conjunction with front panel materials or thicknesses that attenuate signal transmission
- ▶ Dimensions 64 x 29 x 9 mm

Set comprises:

- ▶ 1 cable
- ▶ 1 antenna with holder and screws

Colour	Order no. / cable length in mm		PU
	300	1000	
Black	9 209 498	9 206 875	1 set
Silver	9 209 499	9 206 876	1 set
White	9 209 500	9 206 877	1 set

For planning dimensions, see page 65.

External antenna with Proxy handle, 125 kHz



- ▶ Antenna, including handle, for external use, e.g. on the outside of furniture
- ▶ Required in conjunction with front panel materials or thicknesses that attenuate signal transmission
- ▶ Dimensions 55 x 37 x 10 mm

Set comprises:

- ▶ 1 cable
- ▶ 1 grip handle
- ▶ 1 base plate
- ▶ 1 cover with antenna

Colour	Order no. / cable length in mm		PU
	300	1000	
Black	9 209 501	9 206 872	1 set
Silver	9 209 502	9 206 873	1 set
White	9 209 503	9 206 874	1 set

For planning dimensions, see page 65.

Plug in power supply unit, master / slave



- ▶ External power supply for 1 master / slave lock

Set comprises:

- ▶ 1 power supply unit, output 3.6 VDC / 1.2A. Input 100 - 240 VAC
- ▶ 1 AMP plug, cable, 1 m
- ▶ 1 AMP connecting cable, 100 mm, for the lock

Order no.	PU
9 206 924	1 set

Hettlock RFID

► Master / slave accessories, 125 kHz, and glass door lock, 125 kHz

Plug in power supply unit, master / slave, with 6-way distributor



- External power supply for up to 6 master / slave locks
- A master / slave connection cable must be ordered for each lock that is being connected

Set comprises:

- 1 external power supply for up to 6 master / slave locks
- 1 AMP plug with 6 way distributor, cable, 1 m
- 6 AMP connecting cables, 100 mm, for the locks

Order no.	PU
9 206 925	1 set

Cable set, master / slave



- 1 cable set for connecting the locks
- 2 metre or 5 metre connecting cable must be ordered in addition
- 2 cable sets must be ordered per connection

Set comprises:

- 1 AMP connecting cable, 100 mm, for one lock
- 1 AMP adapter for the connecting cable

Order no.	PU
9 206 928	1 set

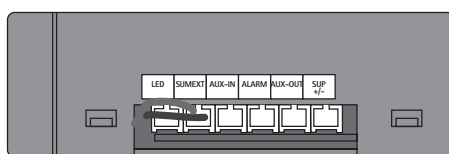
Connecting cable, master / slave



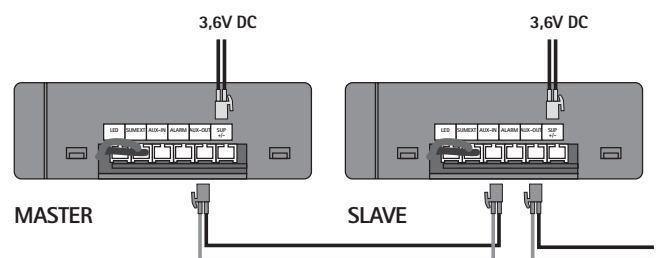
- 1 cable for connecting master / slave locks

Length mm	Order no.	PU
2000	9 206 929	1 ea.
5000	9 206 930	1 ea.

Application diagram



LED external LED
SUMEXT Chipbox, loudspeaker
AUX-IN Input from master
ALARM external alarm (third party system)
AUX-OUT Output to slave
SUP +/- external power source (3 - 4 V DC)





Opening glass display cabinet by smartphone.

Slam lock with Bluetooth and NFC



- ▶ Contactless and invisible identification for smartphones with Bluetooth and NFC
- ▶ Compatible with smartphones, iOS or Android operating system
- ▶ Can be used on hinged doors, flap doors and drawers in furniture
- ▶ Highly encrypted unlocking works without mobile phone network and Internet connection
- ▶ Programming and management by Android and IOS app
- ▶ Event memory via cloud on the web
- ▶ Authorisation issued directly by smartphone
- ▶ 4 different operating modes can be selected via service app
- ▶ Up to 20000 locking operations before batteries need changing
- ▶ **Free app is installed via Google Play / Apple Store**
- ▶ NFC reading range up to 20 mm, depending on smartphone and installation situation
- ▶ Bluetooth reading range up to 10 meters, depending on smartphone and installation situation

Set comprises:

- ▶ 1 reader and control unit with integrated locking mechanism
- ▶ 1 lock adapter with ejector
- ▶ 1 screw on panel plate for lock adapter
- ▶ 1 stay closed element for double doors
- ▶ 1 CR123 A 3-volt battery
- ▶ Fixing material

Order no.	PU
9 206 931	1 set

Slam lock with Bluetooth and NFC with quick release catch



- ▶ Contactless and invisible identification for smartphones with Bluetooth and NFC
- ▶ Compatible with smartphones, iOS or Android operating system
- ▶ Can be used on hinged doors, flap doors and drawers in furniture
- ▶ Highly encrypted unlocking works without mobile phone network and Internet connection
- ▶ Programming and management by Android and IOS app
- ▶ Event memory via cloud on the web
- ▶ Authorisation issued directly by smartphone
- ▶ 4 different operating modes can be selected via service app
- ▶ Up to 10000 locking operations before batteries need changing
- ▶ **Free app is installed via Google Play / Apple Store**
- ▶ NFC reading range up to 20 mm, depending on smartphone and installation situation
- ▶ Bluetooth reading range up to 10 meters, depending on smartphone and installation situation

Set comprises:

- ▶ 1 reader and control unit with integrated locking mechanism
- ▶ 1 lock adapter
- ▶ 2 1.5-volt batteries, AA
- ▶ Fixing material

Order no.	PU
9 206 932	1 set

Slam lock with Bluetooth and NFC for installing in carcass



- ▶ Contactless and invisible identification for smartphones with Bluetooth and NFC
- ▶ Compatible with smartphones, iOS or Android operating system
- ▶ Can be used on hinged doors, flap doors and drawers in furniture
- ▶ Highly encrypted unlocking works without mobile phone network and Internet connection
- ▶ Programming and management by Android and IOS app
- ▶ Event memory via cloud on the web
- ▶ Authorisation issued directly by smartphone
- ▶ 4 different operating modes can be selected via service app
- ▶ Up to 20000 locking operations before batteries need changing
- ▶ **Free app is installed via Google Play / Apple Store**
- ▶ NFC reading range up to 20 mm, depending on smartphone and installation situation
- ▶ Bluetooth reading range up to 10 meters, depending on smartphone and installation situation

Set comprises:

- ▶ 1 reader and control unit with integrated locking mechanism
- ▶ 1 lock adapter
- ▶ 1 CR123 A 3-Volt battery
- ▶ Fixing material

Order no.	PU
9 206 933	1 set

Advice

- ▶ For accessories, see page 52
- ▶ For planning dimensions, see pages 60 - 64

Catch lock with Bluetooth and NFC



- ▶ Contactless and invisible identification for smartphones with Bluetooth and NFC
- ▶ Compatible with smartphones, iOS or Android operating system
- ▶ Can be used on hinged doors, flap doors and drawers in furniture
- ▶ Highly encrypted unlocking works without mobile phone network and Internet connection
- ▶ Programming and management by Android and IOS app
- ▶ Event memory via cloud on the web
- ▶ Authorisation issued directly by smartphone
- ▶ 4 different operating modes can be selected via service app
- ▶ Up to 20000 locking operations before batteries need changing
- ▶ **Free app is installed via Google Play / Apple Store**
- ▶ NFC reading range up to 20 mm, depending on smartphone and installation situation
- ▶ Bluetooth reading range up to 10 meters, depending on smartphone and installation situation

Set comprises:

- ▶ 1 reader and control unit with integrated locking mechanism
- ▶ 1 lock adapter with base plate
- ▶ 1 installation aid
- ▶ 1 CR123 A 3-volt battery
- ▶ Fixing material

Order no.	PU
9 206 934	1 set

Drawer lock with Bluetooth and NFC



- ▶ Contactless and invisible identification for smartphones with Bluetooth and NFC
- ▶ Compatible with smartphones, iOS or Android operating system
- ▶ Can be used on hinged doors, flap doors and drawers in furniture
- ▶ Highly encrypted unlocking works without mobile phone network and Internet connection
- ▶ Programming and management by Android and IOS app
- ▶ Event memory via cloud on the web
- ▶ Authorisation issued directly by smartphone
- ▶ 4 different operating modes can be selected via service app
- ▶ Up to 20000 locking operations before batteries need changing
- ▶ **Free app is installed via Google Play / Apple Store**
- ▶ NFC reading range up to 20 mm, depending on smartphone and installation situation
- ▶ Bluetooth reading range up to 10 meters, depending on smartphone and installation situation

Set comprises:

- ▶ 1 reader and control unit with integrated locking mechanism
- ▶ 1 lock adapter
- ▶ 1 CR123 A 3-volt battery
- ▶ Fixing material

Order no.	PU
9 206 935	1 set

Sliding door lock with Bluetooth and NFC



- ▶ Contactless and invisible identification for smartphones with Bluetooth and NFC
- ▶ Compatible with smartphones, iOS or Android operating system
- ▶ Can be used on hinged doors, flap doors and drawers in furniture
- ▶ Highly encrypted unlocking works without mobile phone network and Internet connection
- ▶ Programming and management by Android and IOS app
- ▶ Event memory via cloud on the web
- ▶ Authorisation issued directly by smartphone
- ▶ 4 different operating modes can be selected via service app
- ▶ Up to 20000 locking operations before batteries need changing
- ▶ **Free app is installed via Google Play / Apple Store**
- ▶ NFC reading range up to 20 mm, depending on smartphone and installation situation
- ▶ Bluetooth reading range up to 10 meters, depending on smartphone and installation situation

Set comprises:

- ▶ 1 reader and control unit with integrated locking mechanism
- ▶ 1 lock adapter
- ▶ 1 CR123 A 3-volt battery
- ▶ Fixing material

Order no.	PU
9 206 936	1 set

Advice

- ▶ For accessories, see page 52
- ▶ For planning dimensions, see pages 60 - 64

External antenna, Bluetooth and NFC



- ▶ Antenna for external use, e.g. on the outside of furniture
- ▶ Required in conjunction with front panel materials or thicknesses that attenuate signal transmission
- ▶ Dimensions 55 x 37 x 10 mm

Set comprises:

- ▶ 1 cable, length 100 mm
- ▶ 1 grip handle
- ▶ 1 base plate
- ▶ 1 cover with antenna

Colour	Order no.	PU
White	9 206 937	1 set
Black	9 209 187	1 set
Silver	9 209 188	1 set

For planning dimensions, see page 65.

Freelocker MIFARE Classic® slam lock



- ▶ Contactless and invisible identification at 13.56 MHz
- ▶ Compatible with RFID transponders MIFARE Classic® 1K and 4K
- ▶ For use in leisure segment and gyms, hotels, lockers etc.
- ▶ Freelocker function (any choice of cabinet):
 - Any compatible Mifare transponder can engage the lock without the need for programming
 - Information is written to the transponder on locking
- ▶ A transponder can only lock one cabinet
- ▶ Up to 3 programming cards can be programmed per lock
- ▶ Locks can always be unlocked with the programming cards
- ▶ LED connection for signalling "cabinet locked"
- ▶ Up to 15000 locking operations before batteries need changing
- ▶ **Please order programming card and transponder separately**
- ▶ RFID reading range depends on transponder and installation situation

Set comprises:

- ▶ 1 reader and control unit with integrated locking mechanism
- ▶ 1 lock adapter
- ▶ 1 CR123 A 3-Volt battery
- ▶ Fixing material

Order no.	PU
9 206 939	1 set

Freelocker MIFARE Classic® locker lock



- ▶ Contactless and invisible identification at 13.56 MHz
- ▶ Compatible with RFID transponders MIFARE Classic® 1K and 4K
- ▶ For use in leisure segment and gyms, hotels, lockers etc.
- ▶ Design, as coin operated locks
- ▶ Freelocker function (any choice of cabinet):
 - Any compatible Mifare transponder can engage the lock without the need for programming
 - Information is written to the transponder on locking
- ▶ A transponder can only lock one cabinet
- ▶ Up to 3 programming cards can be programmed per lock
- ▶ Locks can always be unlocked with the programming cards
- ▶ LED connection for signalling "cabinet locked"
- ▶ Bolt and electronics can be changed over for left and right hand doors
- ▶ Up to 15000 locking operations before batteries need changing
- ▶ **Please order programming card and transponder separately**
- ▶ Optionally, a second battery can be fitted for an additional 15000 locking operations
- ▶ RFID reading range depends on transponder and installation situation

Set comprises:

- ▶ 1 reader and control unit with integrated locking mechanism
- ▶ 1 lock adapter
- ▶ 1 CR123 A 3-Volt battery
- ▶ Fixing material

Order no.	PU
9 206 940	1 set

Advice

- ▶ For accessories, see pages 54 - 55
- ▶ For planning dimensions, see pages 60 - 64

MIFARE Classic® 1K user card



- Can be used as user or programming card
- Passive transponder with RFID MIFARE Classic®
- Contactless reading capability up to 30 mm
- An external antenna must be used in conjunction with metal surfaces
- Card in cheque card format, white, can be printed on request
- Delivered unprogrammed, programming takes place directly at the lock

Page reference:

- For user card imprint, see page 58

Order no.	PU
9 141 862	1 ea.

MIFARE Classic® 1K transponder



- Can be used as user or programming transponder
- Passive transponder with RFID system MIFARE® ISO 14443A
- Contactless reading capability up to 20 mm
- Plastic, black / white

Order no.	PU
9 141 863	1/5 each

MIFARE® ISO 14443A programming / master card set



- Passive transponder with RFID system MIFARE Classic®
- The card has a reading range of up to 30 mm
- Card in cheque card format, white, printed
- Delivered unprogrammed, programming takes place directly on the lock

Set comprises:

- 3 programming / master cards

Order no.	PU
9 206 895	1 set

Transponder with MIFARE Classic® 1K wrist band



- Passive transponder with RFID system MIFARE® 14443A
- Transponders have a reading range of up to 20 mm
- An external antenna must be used in conjunction with metal surfaces
- plastic

Colour	Order no.	PU
Yellow	9 136 972	1/5 each
Blue	9 136 973	1/5 each
Red	9 136 974	1/5 each
Green	9 136 975	1/5 each

Hettlock RFID

► Freelocker lock accessories

LED indicator



- As an optional, additional signal to indicate whether furniture is locked or unlocked:
 - no indicator, unlocked
 - blue, bolt position reached
 - flashing red, locked
- Round stainless steel housing for recessing into the front panel
- Drilling diameter 7 mm
- Cable length 10 cm

Order no.	PU
9 206 941	1 ea.

MIFARE Classic® segment cleaner



- Contactless and invisible identification at 13.56 MHz
- Compatible with RFID transponders MIFARE Classic® 1K and 4K
- When identified, the Freelocker segment written to on the transponder is deleted

Set comprises:

- 1 reader and control unit
- 1 CR123A battery

Order no.	PU
9 209 189	1 ea.

Slam lock with keypad and Proxy 125 kHz



- ▶ Contactless and invisible identification at 125 kHz
- ▶ Compatible with EM4102 and EM4200 RFID transponders (HITAG and HID on request)
- ▶ Keypad with illuminated touch display for entering pin code
- ▶ Mini USB interface for feeding in external power supply
- ▶ Can be used on hinged doors, flaps and drawers (LAD) in furniture
- ▶ Straightforward programming by programming card and / or pin code
- ▶ 3 programming cards and 20 transponders can be programmed per lock
- ▶ 1 programming code and 10 user codes can be programmed per lock
- ▶ 3 different operating modes can be selected, standard = Freelocker
- ▶ Up to 10000 locking operations before batteries need changing
- ▶ **Please order programming cards and transponders separately**
- ▶ RFID reading range depends on transponder and installation situation

Set comprises:

- ▶ 1 control unit with integrated locking mechanism
- ▶ 1 reader unit with RFID and illuminated keypad
- ▶ 1 lock adapter with ejector
- ▶ 1 connecting cable
- ▶ 1 CR123 A 3-volt battery
- ▶ Fixing material

Order no.	PU
9 163 161	1 set

Locker keypad lock with RFID 125 kHz



- ▶ Contactless and invisible identification at 125 kHz
- ▶ Compatible with EM4102 and EM4200 RFID transponders (HITAG and HID on request)
- ▶ Keypad with illuminated touch display for entering pin code
- ▶ Mini USB interface for feeding in external power supply
- ▶ For use in leisure segment and gyms, hotels, public lockers etc.
- ▶ Design, as coin operated locks
- ▶ Straightforward programming by programming card and / or pin code
- ▶ 3 programming cards and 20 transponders can be programmed per lock
- ▶ 1 programming code and 10 user codes can be programmed per lock
- ▶ 3 different operating modes can be selected, standard = Freelocker
- ▶ Up to 10000 locking operations before batteries need changing
- ▶ **Please order programming cards and transponders separately**
- ▶ Optionally, a second battery can be fitted for an additional 15000 locking operations
- ▶ RFID reading range depends on transponder and installation situation

Set comprises:

- ▶ 1 control unit with integrated locking mechanism
- ▶ 1 reader unit with RFID and illuminated keypad
- ▶ 1 lock adapter with ejector
- ▶ 1 connecting cable
- ▶ 1 CR123 A 3-volt battery
- ▶ Fixing material

Order no.	PU
9 206 943	1 set

Advice

- ▶ For accessories, see page 57
- ▶ For planning dimensions, see pages 60 - 64

Emergency unlocking adapter



- ▶ External power supply for the keypad lock
- ▶ Permits unlocking without battery in the lock
- ▶ Connection by means of Mini USB cable

Set comprises:

- ▶ 1 emergency unlocking adapter
- ▶ 2 1.5 V batteries, AAA

Order no.	PU
9 209 190	1 ea.

Cover cap



- High-gloss lacquered covers for slam locks
- Protection against unintended removal of batteries
- All screws are covered

Set comprises:

- 1 cover
- 1 removal tool

Colour	Order no.	PU
Black, high-gloss	9 206 944	1 set
Silver, high-gloss	9 206 945	1 set
White, high-gloss	9 206 946	1 set

Card imprint



- Customised card imprint, 4 colours
- Thermal transfer printing on each side

Order no.	PU
9 206 942	10 ea.

Lock adapter

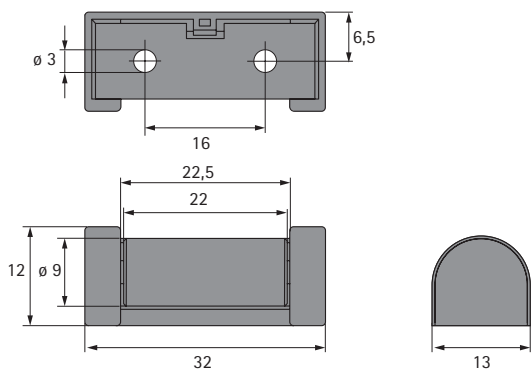


- High-gloss lacquered finish to match cover cap

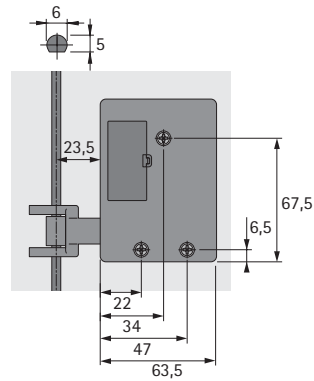
Set comprises:

- 1 lock adapter
- Fixing material

Colour	Order no.	PU
Black, high-gloss	9 206 947	1 set
Silver, high-gloss	9 206 968	1 set
White, high-gloss	9 206 969	1 set



Rod immobiliser



- Conversion set for slam lock
- Hexagon socket screw make latch catch easy to change
- Fits Hettich espagnolette rods, 6 / 5 mm

Set comprises:

- 1 bolt adapter
- 1 sleeve for 6 / 5 mm push rod
- 1 tool

Page reference:

- For espagnolette lock and accessories, see Furniture Fittings and Applications catalogue, volume 2, Furniture Locking Systems section

Order no.	PU
9 136 962	1 set

Set of mounting plates for steel carcasses



- Set for installing slam lock in steel carcasses
- Easy installation in existing steel carcasses
- For use in metal lockers, tool cabinets, safe deposit boxes, letter boxes, safes etc.
- Please order the appropriate external antenna separately

Set comprises:

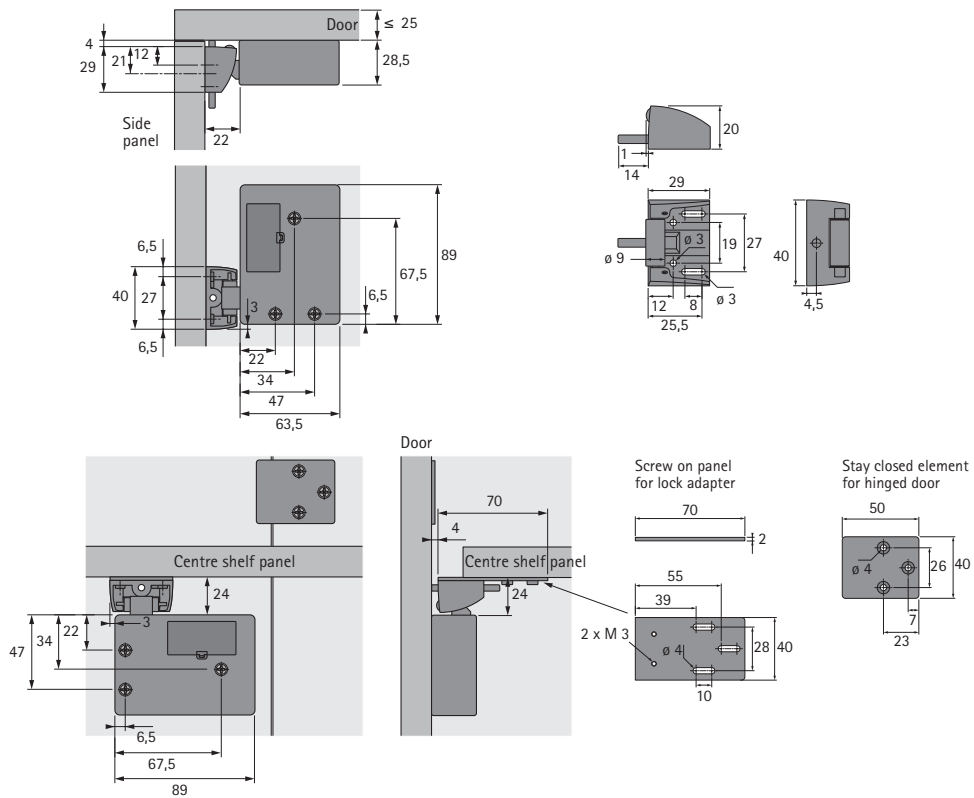
- 1 adapter as lock bolt with clamped metal element
- 1 mounting plate with ejector
- 1 adapter for the external antenna
- Fixing material

Page reference:

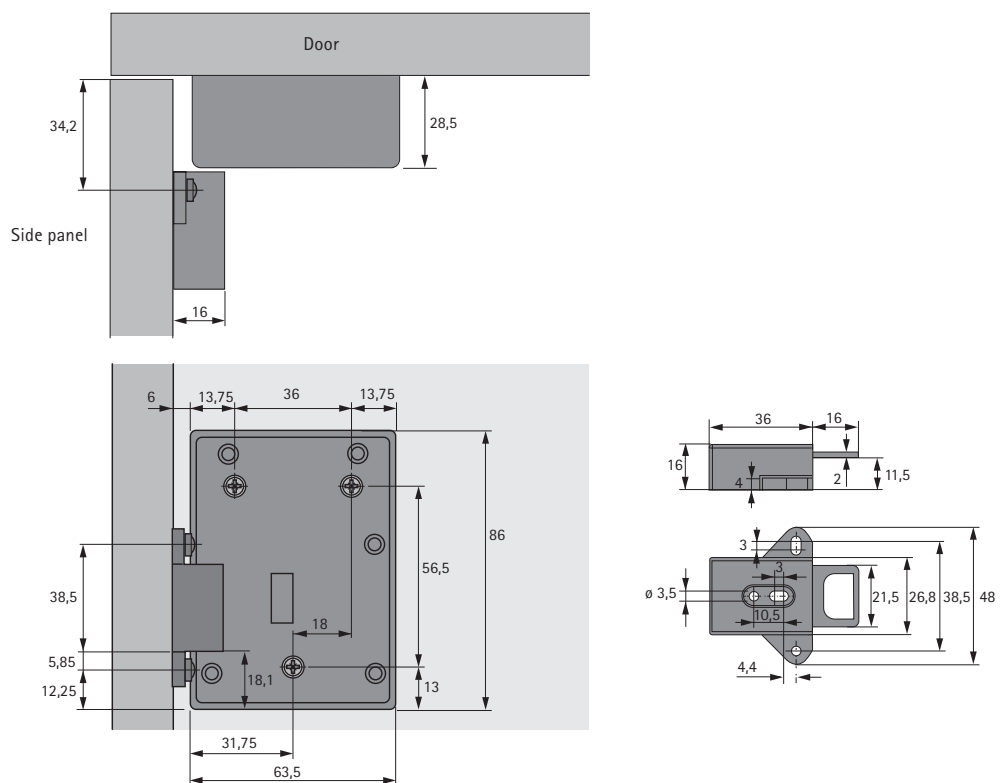
- For Proxy external antenna, 125 kHz, see pages 29 - 30
- For MIFARE® ISO 14443A external antenna, see page 35
- For Multireader 13.56 MHz external antenna, see pages 40 - 41
- For external antenna, Bluetooth and NFC, see page 52
- For planning dimensions, see page 65

Order no.	PU
9 206 970	1 set

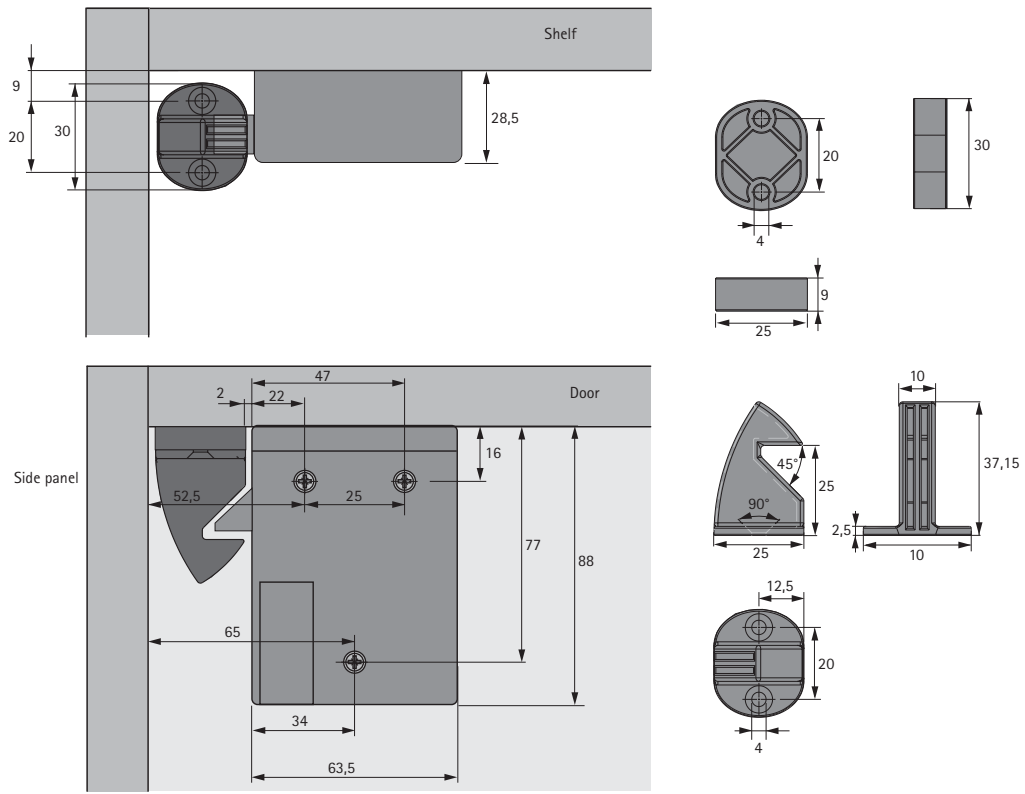
Planning dimensions for slam lock



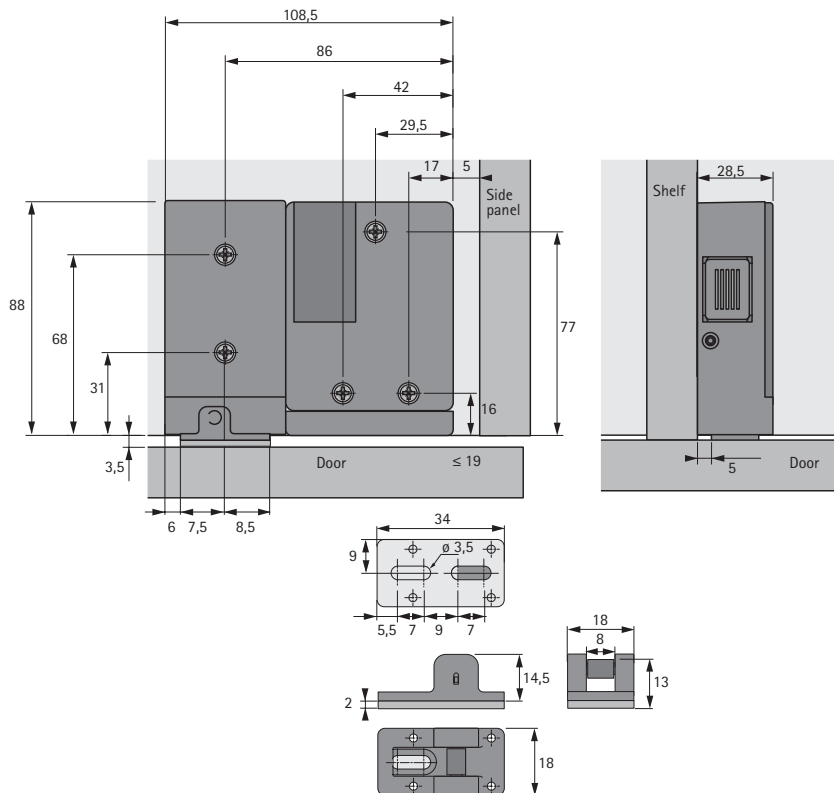
Planning dimensions for slam lock with quick release catch



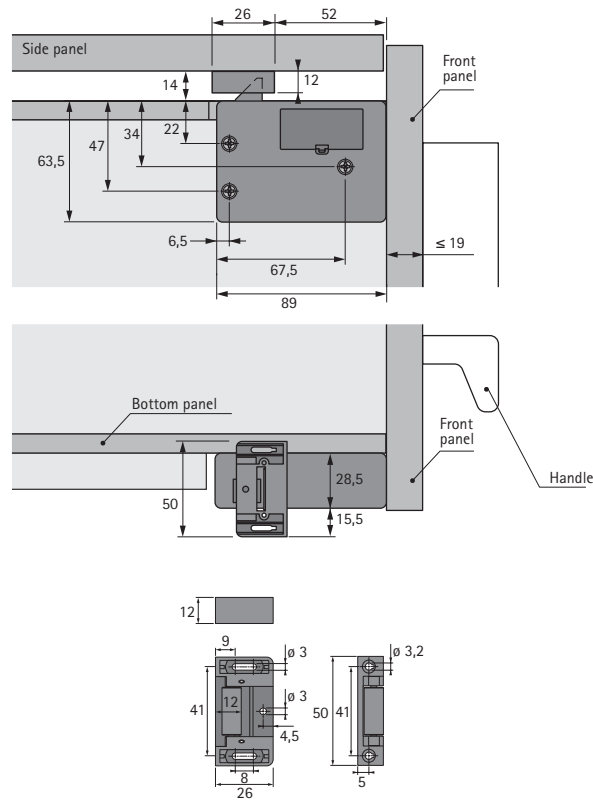
Planning dimensions for slam lock for installing in carcass



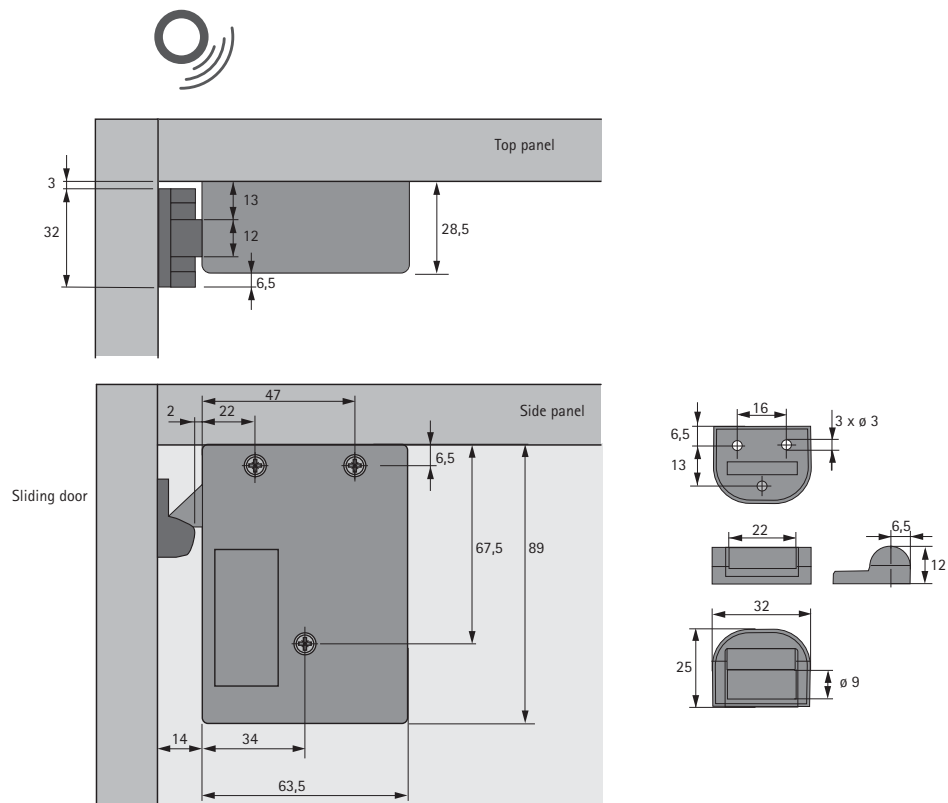
Planning dimensions for catch lock



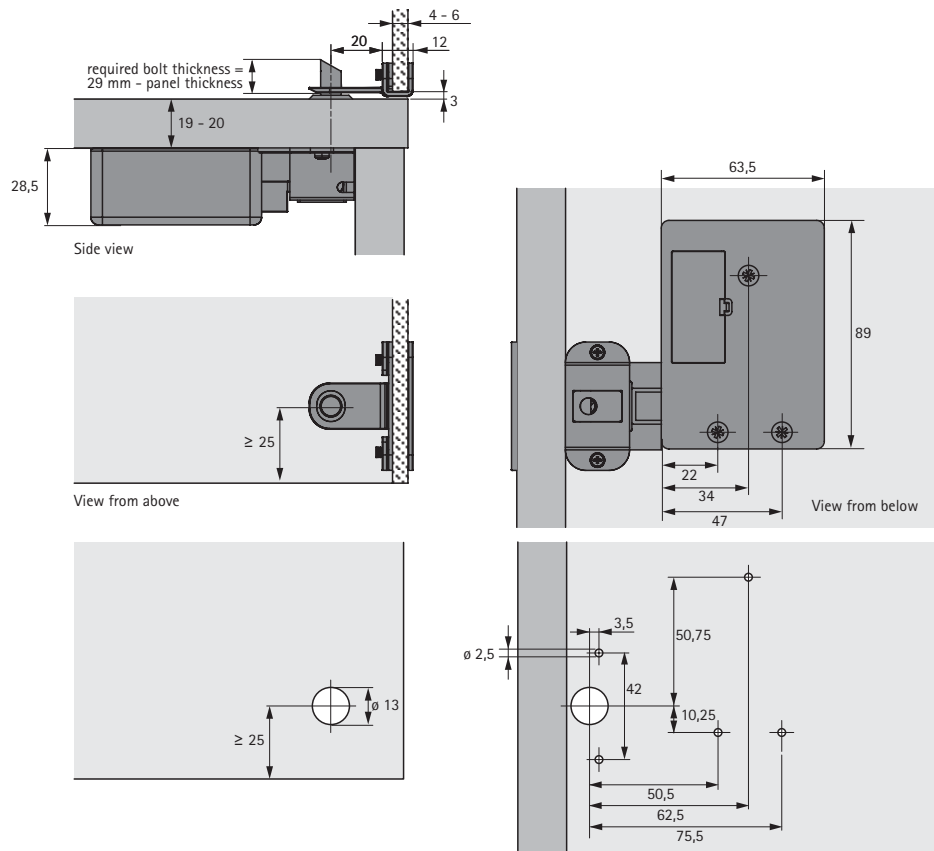
Planning dimensions for drawer lock



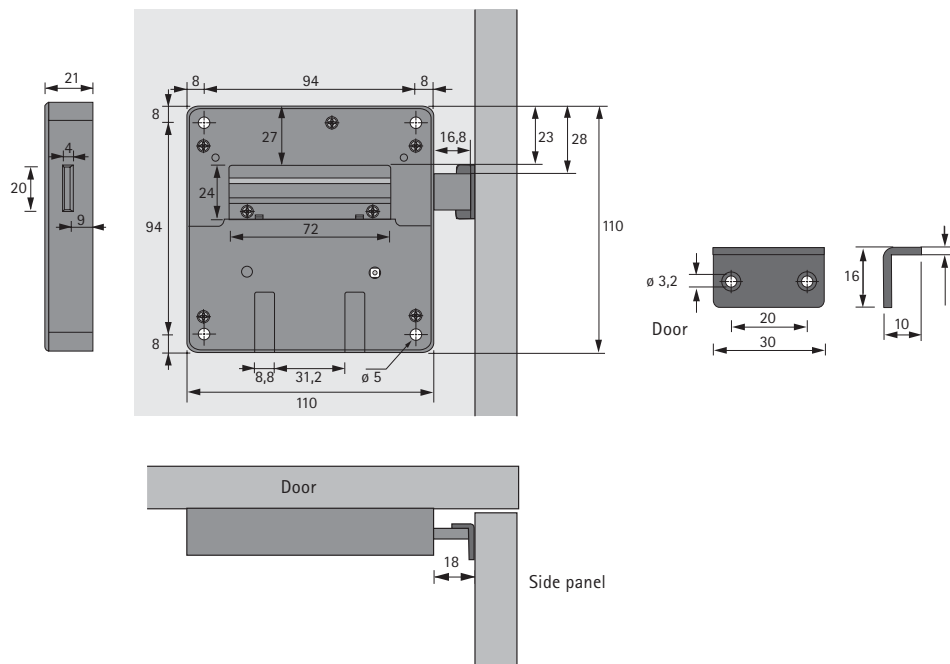
Planning dimensions for sliding door lock



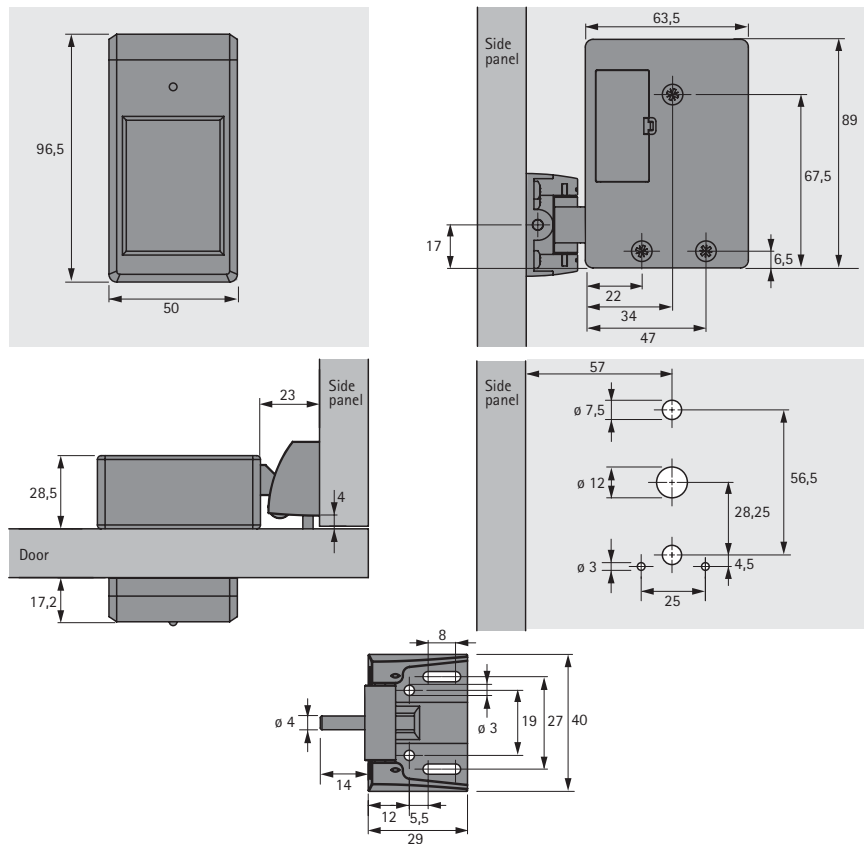
Planning dimensions for glass door lock, master / slave, 125 kHz



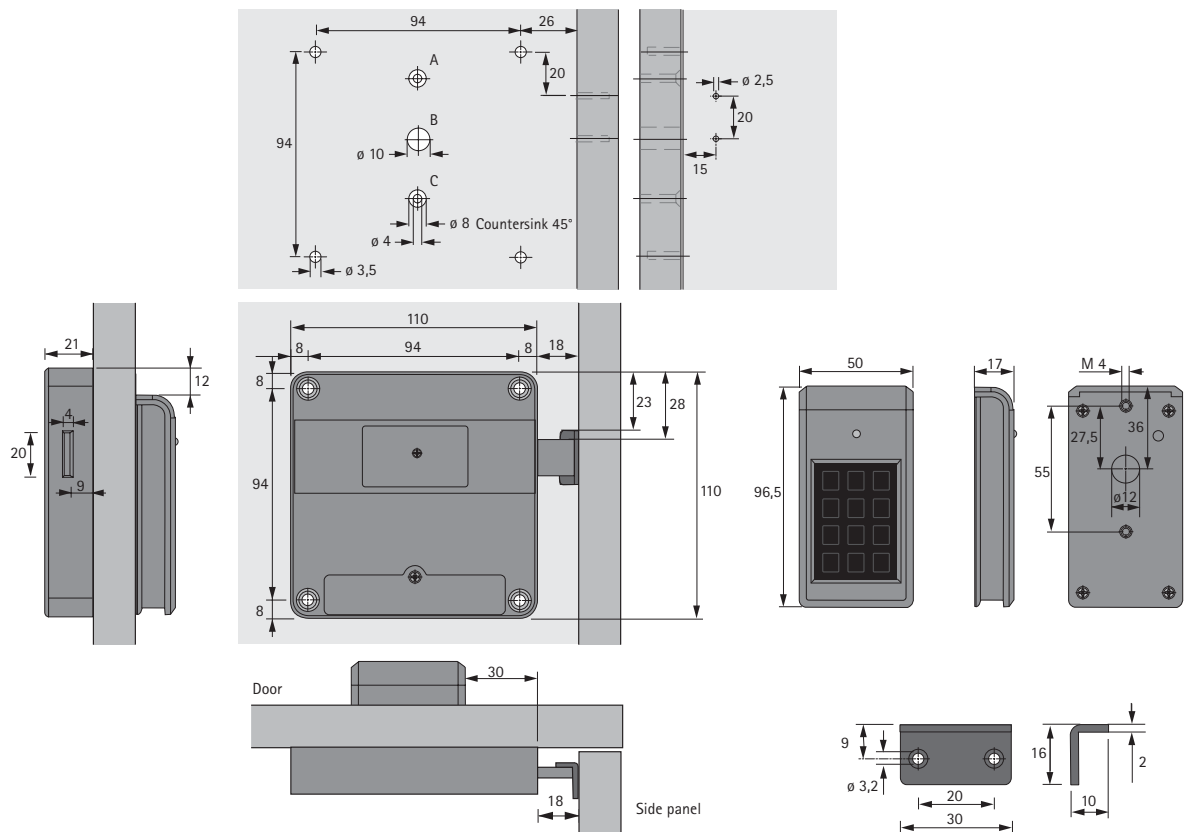
Planning dimensions for locker lock



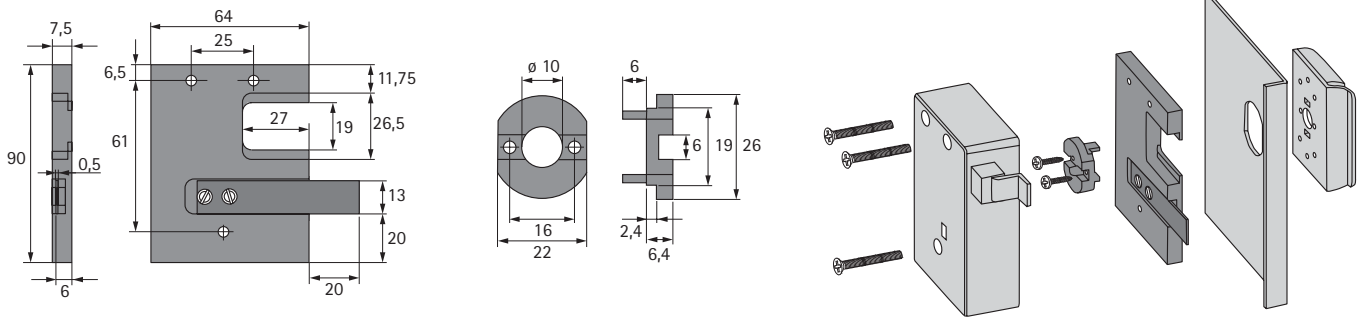
Planning dimensions for slam lock with keypad



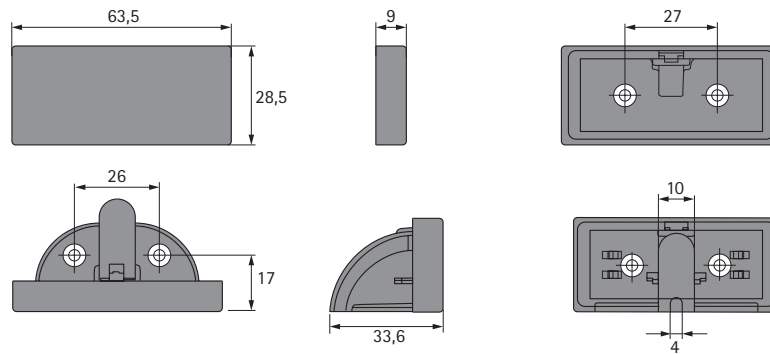
Planning dimensions for locker keypad lock



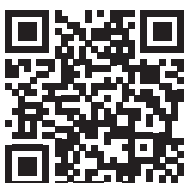
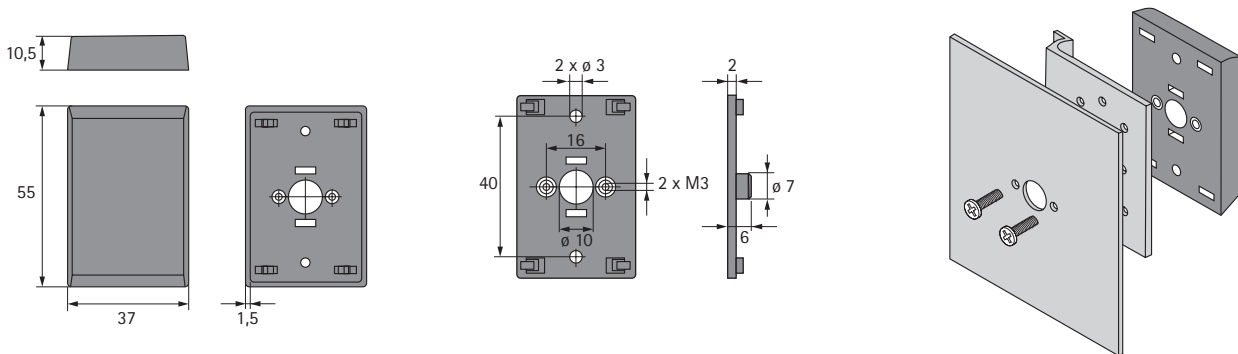
Planning dimensions set of mounting plates for steel carcasses



Planning dimensions external antenna



Planning dimensions external antenna with handle



Straight to Youtube

<https://www.hettich.com/short/fa0877>

www.hettich.com

Order No.: 9 227 202
1610-056_Hettlock RFID_1116_HFT/en

Technik für Möbel


Hettich