



Exercises: Hettich Plan

Legal notice

We reserve all copyrights for this handbook. This handbook or any parts thereof cannot be printed in any form without our written permission.

Hettich Holding GmbH & Co. oHG

Vahrenkampstraße 12 - 16

D 32278 Kirchlengern

www.hettich.com

Version 1.2, December 2017, Printed in Germany

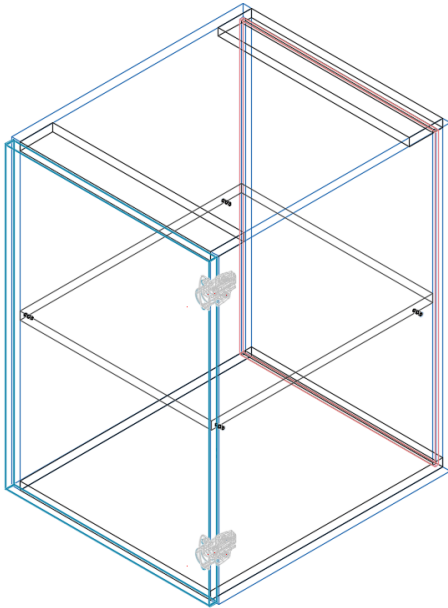
Directory

1. Introduction.....	4
2. Exercise 1	4
3. Exercise 2	6
4. Exercise 3	8
5. Exercise 4	10
6. Exercise 5	12
7. Appendix: Hints for the constructions.....	14
7.1 Hints for the Excercise 1	14
7.2 Hints for the Excercise 2	14
7.3 Hints for the Excercise 3	15
7.4 Hints for the Excercise 4	15
7.5 Hints for the Excercise 5	15

1. Introduction

Here you'll find some exercises and hints. The manuals can be found in the main menu under Help in the area Documentation.

2. Exercise 1

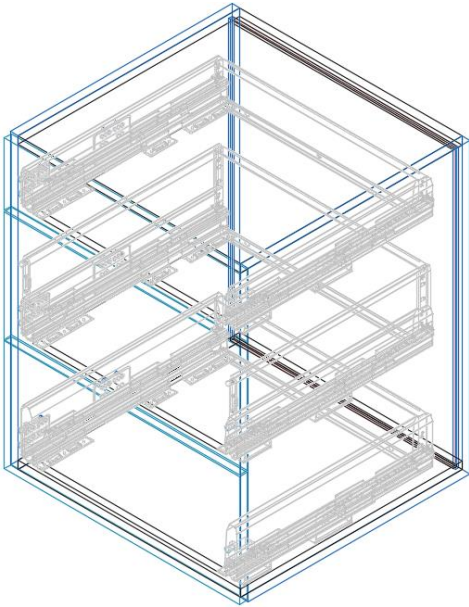


Construction	
Area	Kitchen furniture I / base cabinet
Type	Base cabinet with a door and shelf
Height	730 mm
Width	500 mm
Depth	560 mm
Top panel	Cross rail
Door	Mounting type: right
Shelf	In the middle

Fitting selection	
Hinge	<p><u>Hinge</u></p> <p>System: Intermat Opening angle: 110°</p> <p>Drilling pattern: TH 52 Mounting type: Fix</p> <p>PU: 50</p> <p><u>Optional damping</u></p> <p>Mounting type: To clip on</p>
Mounting plate	<p><u>Mounting plate</u></p> <p>Drilling pattern: Cross mounting plate LR37 PU: 50</p> <p>Mounting type: To press in Height adjustment: Excentric</p>
Shelf support	Duplo

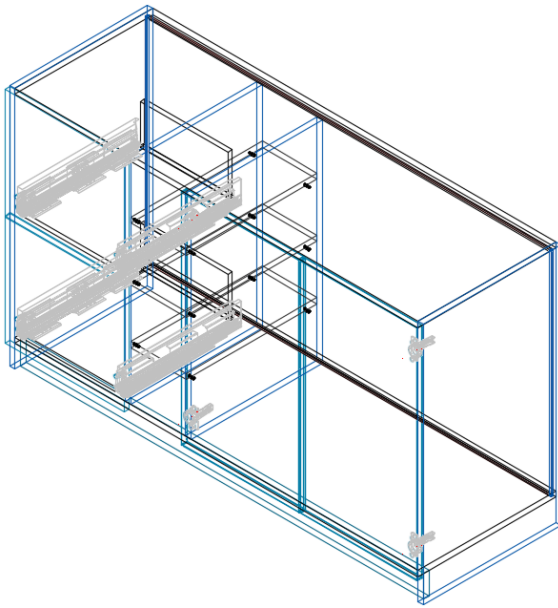
Excercise
Create Project „Kitchen Smith“
Export Fitting list (PDF)
Export Cutting list (CSV)
Download DXF

3. Exercise 2



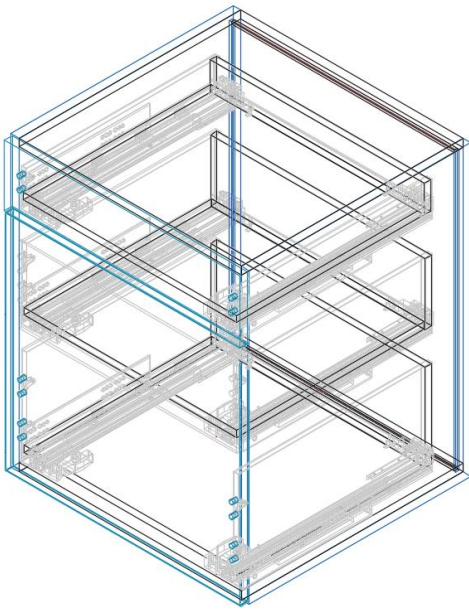
Construction	
Area	Kitchen furniture / base cabinet
Type	Base cabinet with three drawers
Height	730 mm
Width	600 mm
Depth	560 mm
Drawer	Overlay, drawer system, Number 3, Division (from the bottom) 1 Drawer = 280 mm 2 Drawer = 280 mm 3 Drawer = Automatically

4. Exercise 3



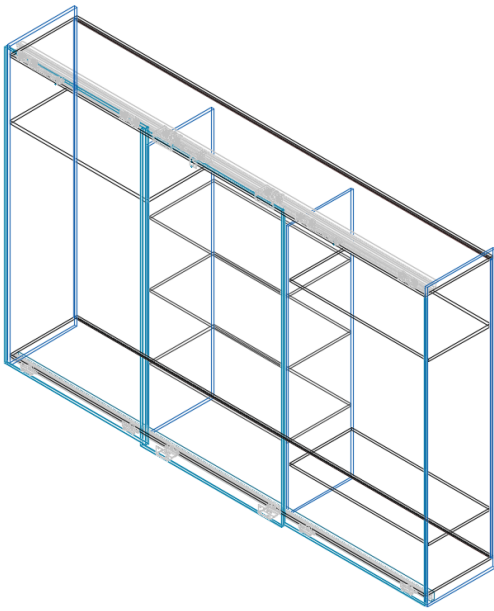
Construction	
Area	Free cabinet
Type	Sideboard with two centre panels
Height	800 mm
Width	1500 mm
Depth	500 mm
Bottom	Height offset: 80 mm Base: Yes (Front)
Centre panel	Division from the left, two pieces Individual division 1st zone = 400mm 2nd zone = 200mm 3rd zone = (automatically)
Drawer 1st zone (from left)	Two Drawers, overlay, All-inclusive set
Shelf 2nd zone	3 pieces
Double Door 3rd zone	Intermat, optional damping

5. Exercise 4



Construction	
Area	Kitchen furniture / base cabinet
Type	Base cabinet with drawer, pot and pan drawer and internal pot and pan drawer
Height	730 mm
Width	600 mm
Depth	560 mm
Virtual partitioner	140 mm from top
Drawer 1st zone (from top)	1 drawer, overlay, All-inclusive set
Drawer 2nd zone	Internal drawer behind drawer, overlay, both All-inclusive set, Insert height 1st drawer: 300 mm

6. Exercise 5



Construction	
Area	Living and bedroom furniture
Type	Sliding door cabinet, overlay, 3 doors
Height	2300 mm
Width	3500 mm
Depth	560 mm
Gap view	Distance door to floor: 20 mm
Centre panel	Division from the left, two pieces Equal division
1st zone (from left)	1 Construction shelf, individual partitioning, 400 mm from top
2nd zone	3 shelves
3rd zone	2 Construction shelves, individual partitioning 1st zone from top: 400 mm 2nd zone: 1304 mm

Fitting selection			
Shelf support	Duplo		
Sliding door	System:	TopLine XL	Profile: 4000 mm
	Damping system:	Silent System	

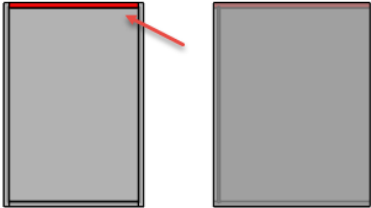
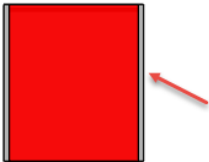
Excercise
View3D DWG with Autodesk True View

7. Appendix: Hints for the constructions

7.1 Hints for the Exercise 1

Hint

Click on the top bottom to change it to cross rail

Use the filters to find the preferred article

Search 🔍

Mounting optio... ▼ Drilling pattern ... ▼ Opening angle ▼

PU ▼

7.2 Hints for the Exercise 2

Hint

If the fronts are not equal, the category individual has to be chosen

Partitioning	Individual ▼
Planning direction	From bottom to top ▼
Front hight 1. drawer	280 <small>From bottom (in mm)</small>

7.3 Hints for the Exercise 3

Hint	
When the door is selected, the damping system can be chosen: With integrated damping or optional	
Door characteristic	Silent and soft closing... ▼
Damping type	Optional ▼

7.4 Hints for the Exercise 4

Hint
The virtual partitioner divides the zone (the clear measure), not the front. The space for the drawer is the front height, less half of the gap: $140 \text{ mm} - 1,5 \text{ mm} = 138,5 \text{ mm}$
The insert height of the first drawer is measured from the bottom of the internal (PnP) drawer.

7.5 Hints for the Exercise 5

Hint
Many of the sliding door articles can be defined clearly, e. g. by choosing the door width.
All articles, which have no alternative (and are necessary), will be chosen automatically: For example the TopLine XL set for the cabinet with 3 doors, and 19mm door thickness.