



The perfect way to open and close the refrigerator door:
K hinges from Hettich

Technik für Möbel


Hettich

K hinges – great in the cold



Hettich is re-defining the perfect kitchen: Convenience every step of the way from kitchen furniture to fitted appliance. High-quality K hinges for integratable refrigerators and freezers open and close refrigerator and freezer doors with a feel of unsurpassed luxury. The K99 hinge closes laden doors weighing up to 45 kg, the K02 doors weighing up to 60 kg, the K08 hinge doors weighing up to 70 kg. The K05 hinge can carry loads of 100 kg and is particularly suitable for very large, fully integratable refrigerators and freezers. An integrated spring system makes sure doors reliably stay closed and tightly sealed.



K hinges open doors to a generous angle of 115°. This provides convenient access and a better view of contents. Also highly practical is the controlled door-opening system that prevents the door from springing open and colliding with adjacent furniture elements. It allows the door to be stopped in different opening positions.

**Intelligent solution:
More space in the refrigerator and freezer**

As the use of K hinges makes additional furniture hinges unnecessary, better use can be made of space. This can give as much as 12 litres more refrigerating or freezing capacity.

New star in the refrigerator

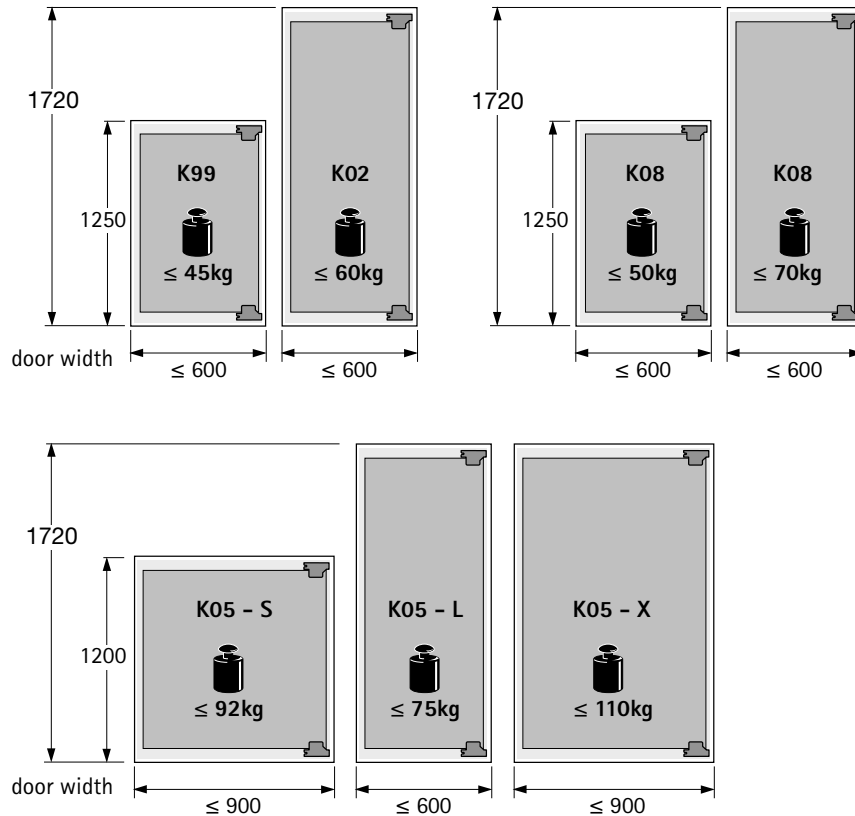
The star among refrigerator hinges is the K08 hinge. The hinge with integrated soft-closing function shuts refrigerator doors reliably, gently and quietly. The wide closing angle and the specially developed soft-closing system make shutting the door particularly convenient. A nudge is all it takes for the door to close all by itself. Perfectly balanced closing action keeps everything in its place in the refrigerator door, making clinking bottles and loudly banging doors a thing of the past.

Using K hinges

- ▶ Example applications
- ▶ Installing a sliding decor door and a fixed door

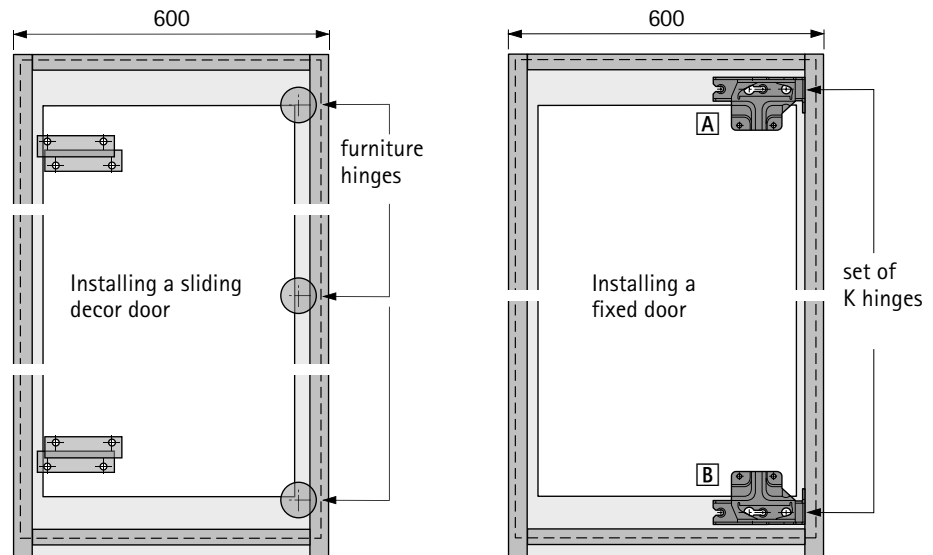
Example applications

Selecting the right hinge for your needs depends on the size, width and weight of the refrigerator door. This produces the following example applications. Ideally, door height should be greater than door width.



Installation

Whereas installing a sliding decor door in front of the actual refrigerator door requires additional furniture hinges, all that is needed to mount a fixed door are the K hinges from Hettich. They cannot be used for installing a sliding decor door. Mounting a door requires the use of one hinge A and one hinge B. Refrigerator door and furniture door are firmly joined together using a 3D installation system.

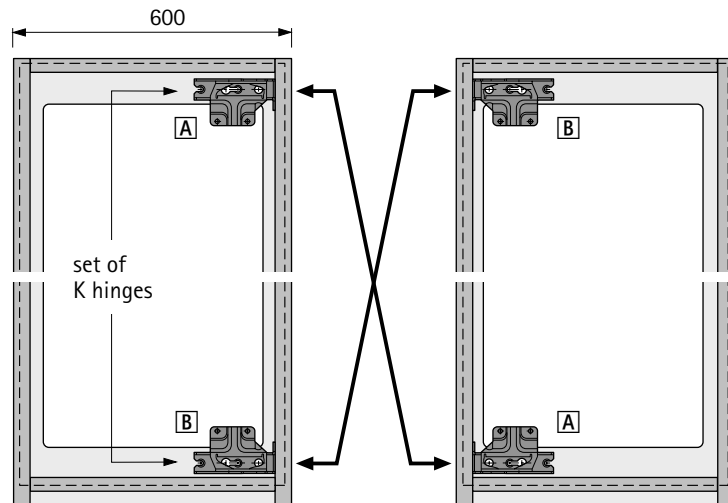


Installing a fixed door

- ▶ Changing the door mounting side
- ▶ 3-D installation system

Changing the door mounting side

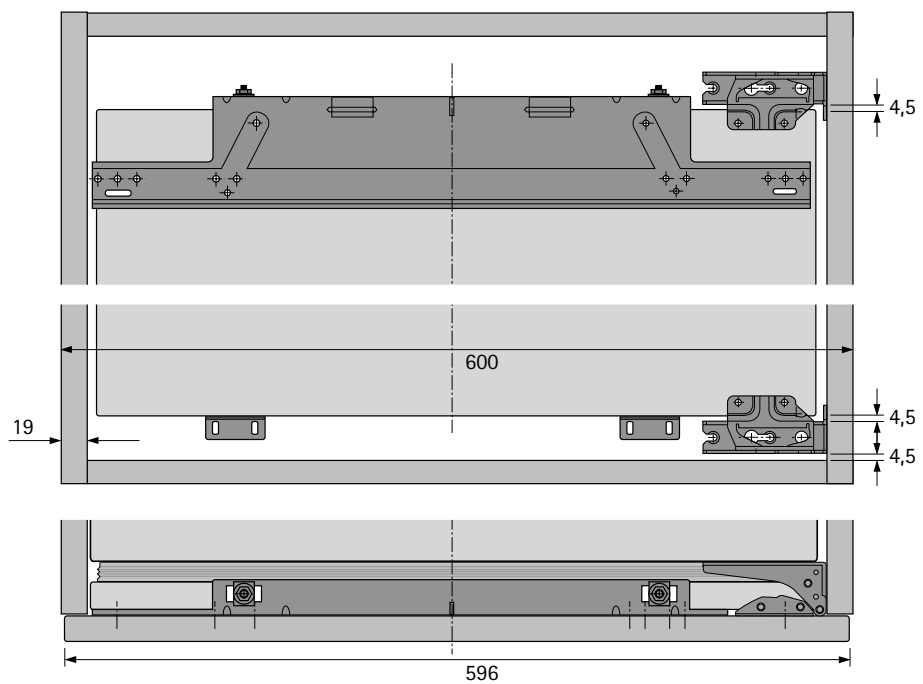
The hinges can be transposed for right or left opening without any major effort. Simply change the hinges over diagonally. That's all there is to it!



3-D installation system

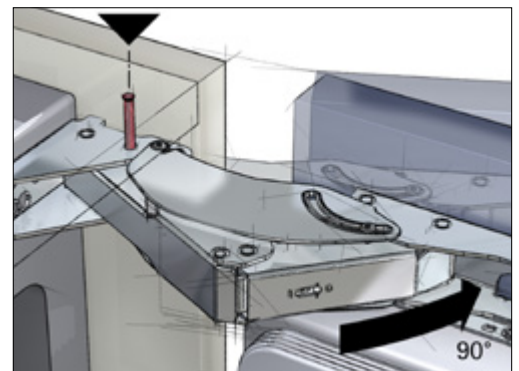
The 3-D installation system joins the refrigerator or freezer to the furniture front. Letting you adjust the door in set form. Detailed installation instructions will be provided on request.

The diagram on the right shows the ideal installation situation for using the 3-D installation system.



Opening angle stop

An opening limiter pin can be used for all K hinges if the angle of 115° cannot be achieved because of adjacent furniture elements. With the pin fitted, the hinge only opens to 90°. The opening limiter pin is installed from above.



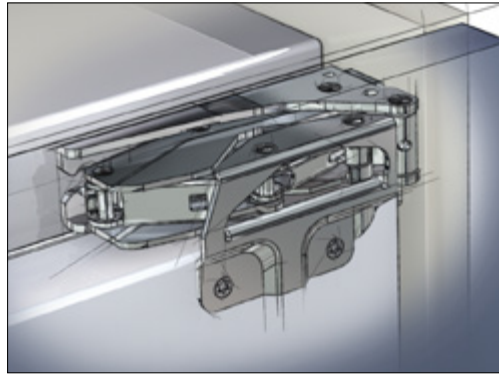
K99 and K02 hinges

► Diagrams

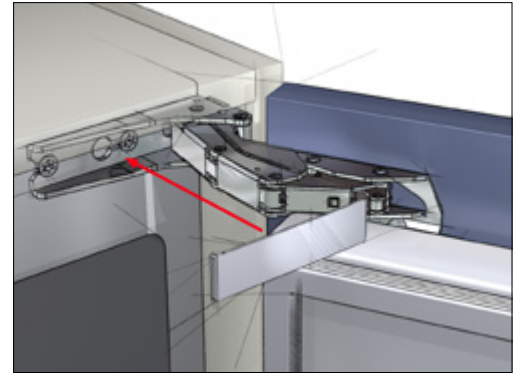
Installation diagrams

The diagrams show the K99 hinge fitted. The hinge is fitted in two stages.

1. Connect the hinge's door bearing to the appliance door.
2. Engage the hinge in the refrigerator carcass at keyholes. These steps can be performed very easily and quickly. A cover cap can be fitted to conceal the visible screws.



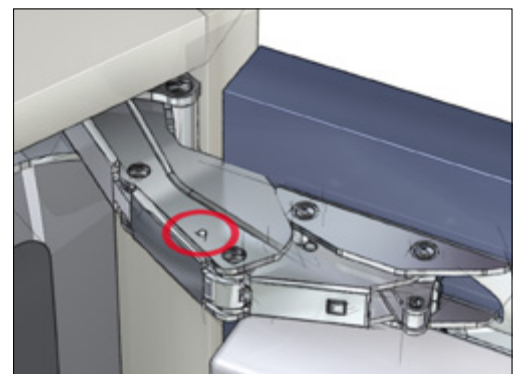
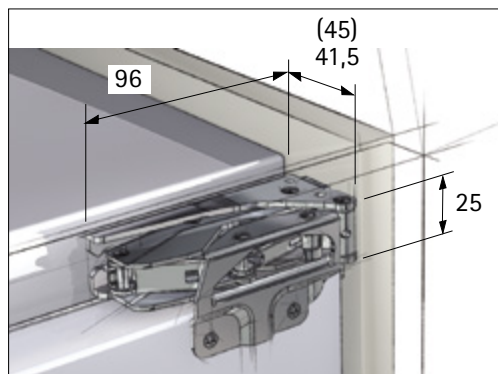
Door bearing on appliance door



Refrigerator carcass and hinge are connected at keyholes that can be concealed with a cover cap.

Installed dimensions / differentiator

K99 and K02 hinges have identical dimensions. The hole marked in the diagram is provided to tell the two hinges apart. The hole in the K02 hinges distinguishes it from the K99 hinge.



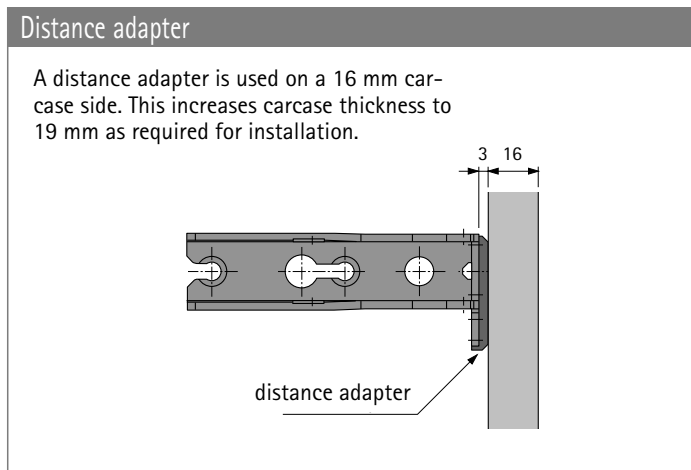
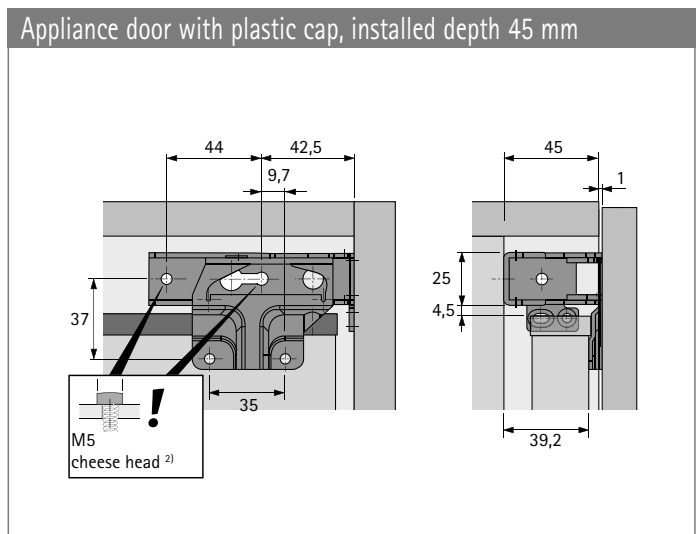
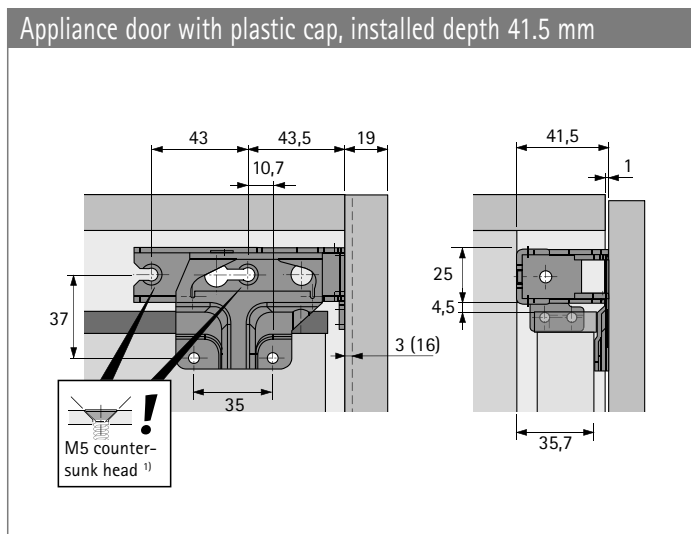
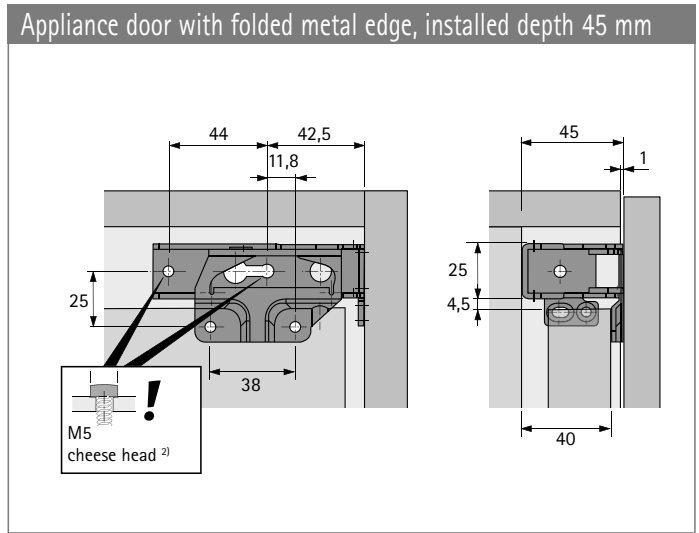
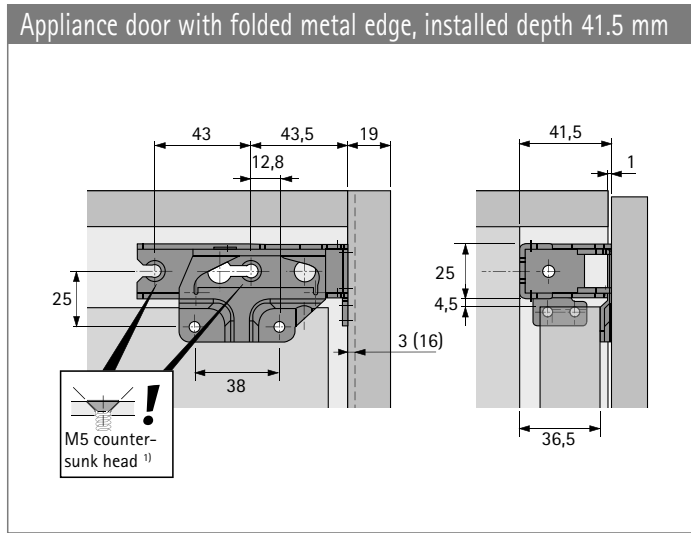
► Note

The loading capacity and life of the hinges is largely determined by the rigidity and stability of the refrigerator cabinet and its door.

K99 and K02 hinges

► Connecting hinge to refrigerator door

Different refrigerator door types make it necessary to use hinges of the appropriate design. Generally speaking, a distinction is drawn between installed depths of 41.5 mm and 45 mm. Some refrigerator doors are made entirely of metal sheet. Some refrigerator doors also have a top and bottom plastic cap. In this case the door bearing must extend over the plastic cap as far as the metal door so that it can be screwed down. This results in different hinge configurations.



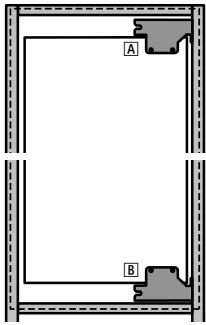
¹⁾ Head shape to DIN 965
²⁾ Head shape to DIN 7984

K99 and K02 hinges

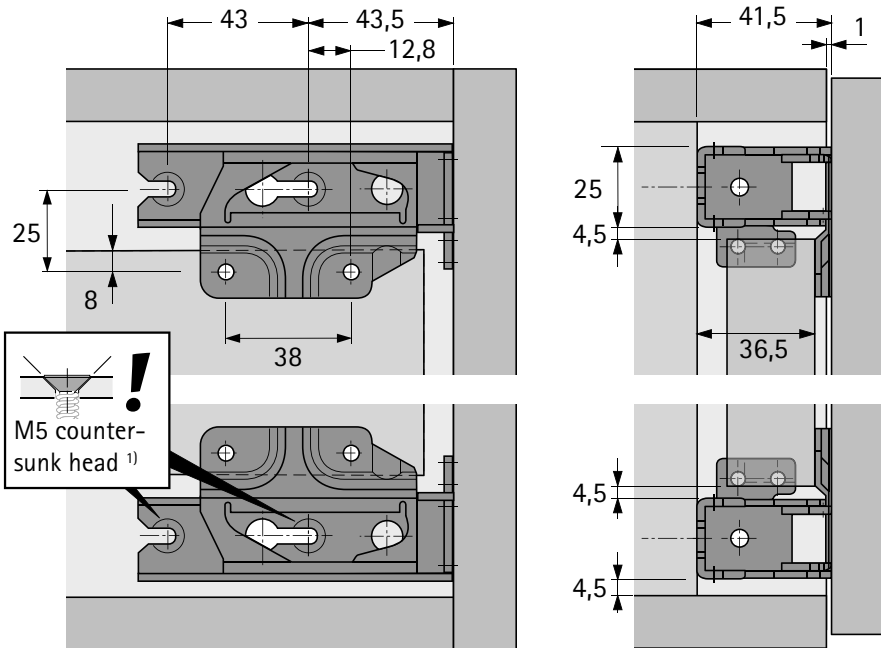
► Installation

Optimum installation on refrigerators and freezers

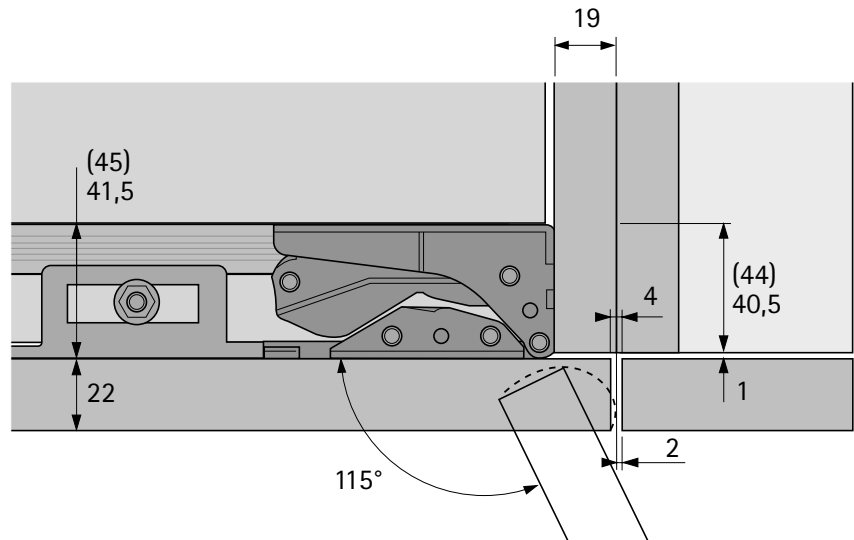
Built-in refrigerator / freezer



A sturdy design of appliance and door will ensure long hinge life.



The following dimensions are ideal for achieving a maximum opening angle of 115°.



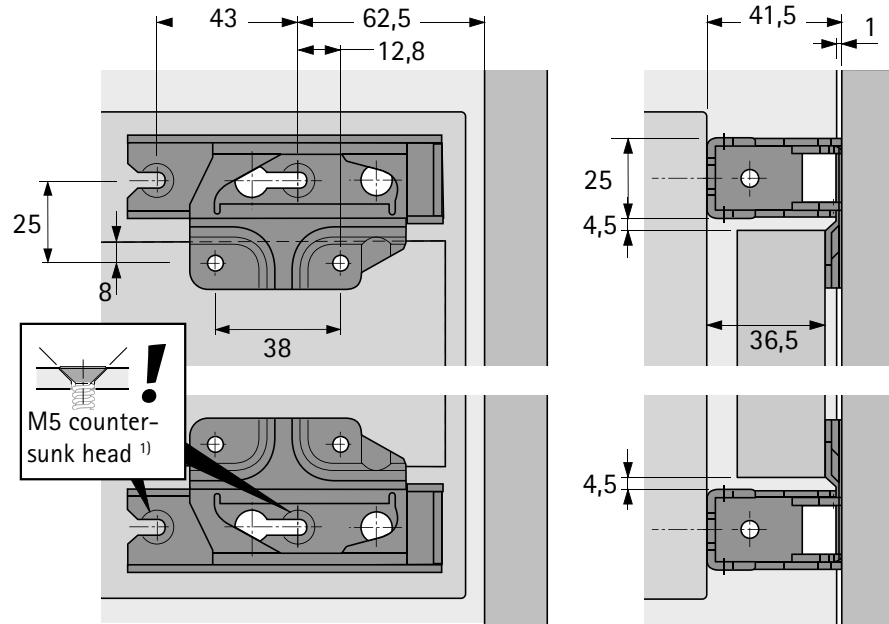
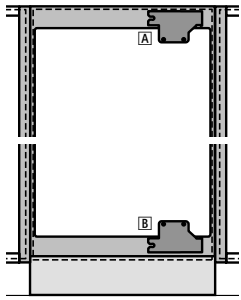
1) Head shape to DIN 965

K99 and K02 hinges

► Installation

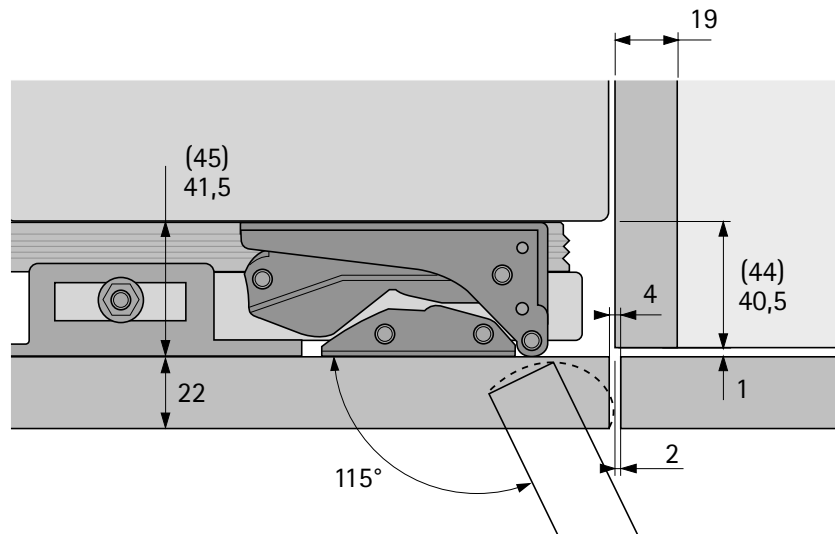
Optimum installation on built-under refrigerators

Without furniture surround



A sturdy design of appliance and door will ensure long hinge life.

The following dimensions are ideal for achieving a maximum opening angle of 115°.



1) Head shape to DIN 965

K99 and K02 hinges

► Technical specifications

Technical specifications	
Function	Value
Material / finish	Steel, galvanised
Load per door	K99: 45 kg up to 100,000 cycles at a hinge distance of 1240 mm, in line with UL 250 up to 300,000 cycles K02: 60 kg up to 100,000 cycles at a hinge distance of 1720 mm, in line with UL 250 up to 300,000 cycles
Temperature range	Application temperature: 5°C to 40°C Transportation: -25°C to 70°C/72 h
Corrosion test	Corrosion-proof to DIN 50017 KFW (alternating condensation water climate) 500 hours without red rust Corrosion-proof to DIN EN ISO 9227 NSS (neutral salt spray test) 72 hours without red rust
RoHS	compliant
Lubrication	H1 approved lubricant

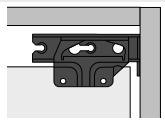
K99 and K02 hinges

► Component summary

► Accessories

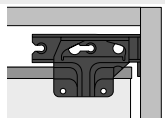
Door with folded metal edge

► Please order one hinge A and one hinge B per door.

Type	Description	Drawing no.	Order no.		PU
	Use on built-in refrigerator / freezer K99-A-BTA41.5-K5/5.1-115°/Z *)	BA 02171	9 009 866		50
	Use on built-in refrigerator / freezer K99-B-BTA41.5-K5/5.1-115°/Z *)	BA 02172	9 009 867		50
	Use on built-under refrigerator K99-A-BTS41.5-K5/5.1-115°/Z *)	BA 02175	9 042 920		50
	Use on built-under refrigerator K99-B-BTS41.5-K5/5.1-115°/Z *)	BA 02176	9 042 921		50

Door with plastic cap

► Please order one hinge A and one hinge B per door.

Type	Description	Drawing no.	Order no.		PU
	Use on built-in refrigerator / freezer K99-A-BTA41.5-K5.8/5.2-115°/Z *)	BA 02165	1 084 589		50
	Use on built-in refrigerator / freezer K99-B-BTA41.5-K5.8/5.2-115°/Z *)	BA 02166	1 084 590		50
	Use on built-in refrigerator / freezer K02-A-BTA41.5-K5.8/5.2-115°/Z *)	BA 02200	9 045 054		50
	Use on built-in refrigerator / freezer K02-B-BTA41.5-K5.8/5.2-115°/Z *)	BA 02201	9 045 055		50

Accessories

	Description	Drawing no.	Order no.	PU
	Opening limiter pin, 90°, galvanised	BN 03723	9 005 658	1000
	Side panel adapter, 3mm, for 16mm side panel	BN 03759	9 008 286	1500
	Cover cap, white	BN 04450	9 046 451	1000

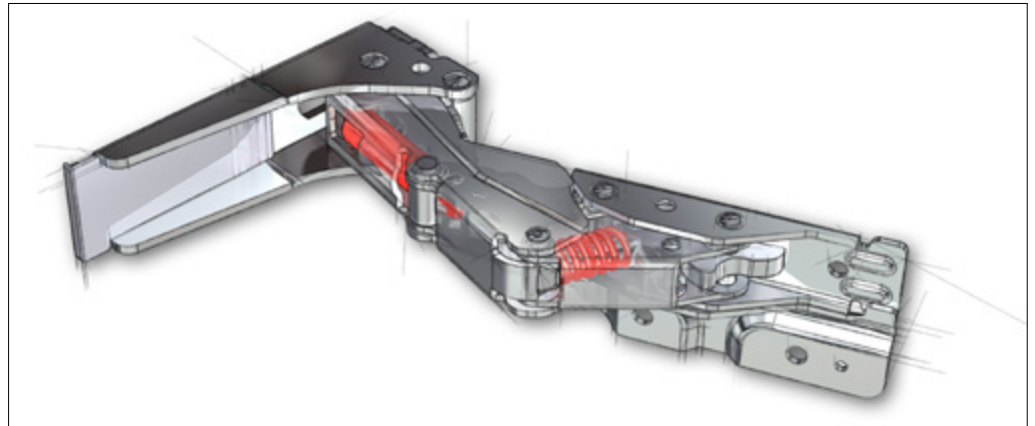
*) Hinges are supplied closed

K08 hinge

► Diagrams

Integrated Silent System

Unlike the K99 and K02 hinges, the K08 hinge has an integrated Silent System system for perfect refrigerator door closing action with a feel of luxury. The integrated spring system always keeps the refrigerator closed and tightly sealed. The integrated damper absorbs the force of the spring, providing a beautifully gentle closing cycle.

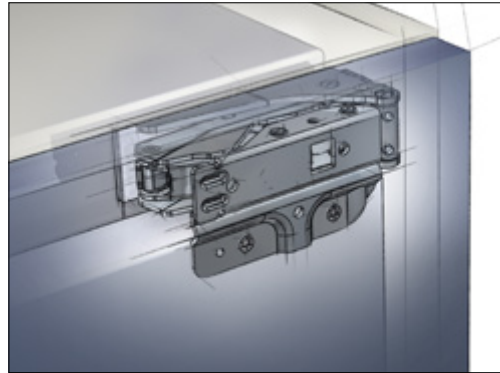


Installation diagrams

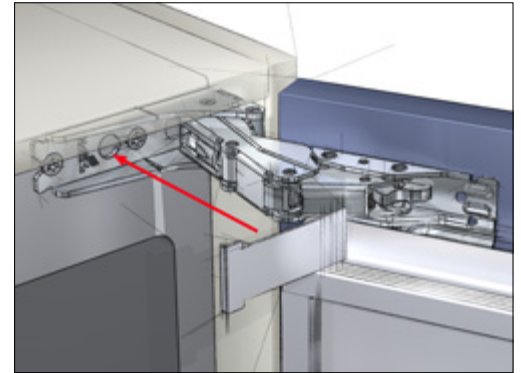
The diagrams show the K08 hinge fitted.

The hinge is fitted in two stages.

1. Connect the hinge's door bearing to the appliance door.
2. Engage the hinge in the refrigerator carcase at keyholes. These steps can be performed very easily and quickly.

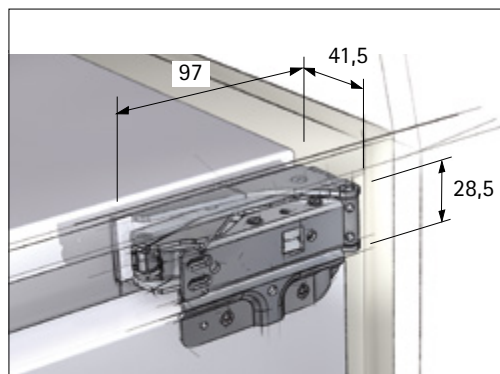


Door bearing screwed to appliance door



Refrigerator carcase and hinge are connected at keyholes that can be concealed with a cover cap.

Installed dimensions



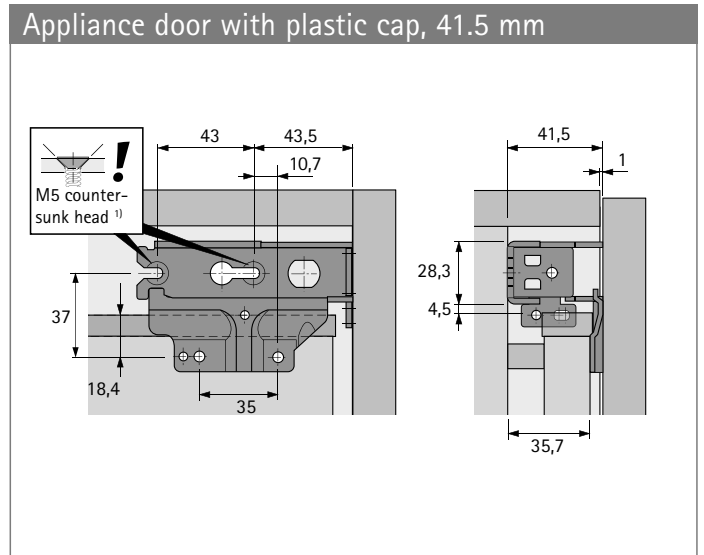
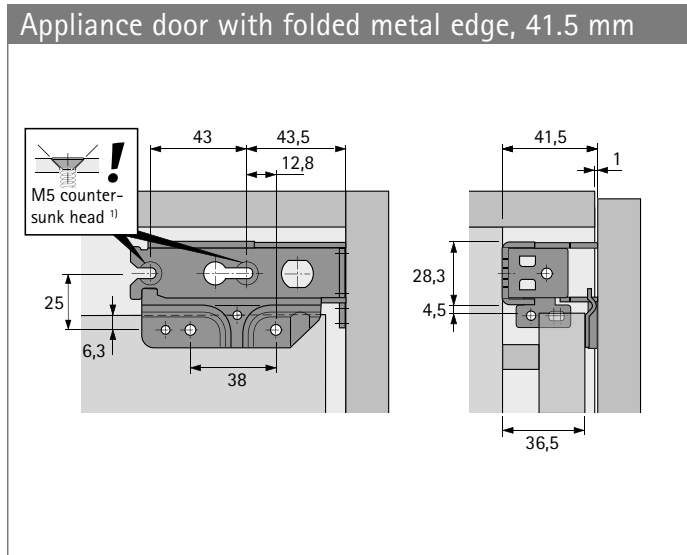
► Note

The loading capacity and life of the hinges is largely determined by the rigidity and stability of the refrigerator cabinet and its door.

K08 hinge

► Connecting hinge to refrigerator door

Unlike the K99 and K02 hinges, the K08 hinge is only designed for an installed depth of 41.5 mm. In this case too, different refrigerator door types necessitate two different hinge configurations. Some refrigerator doors are made entirely of metal sheet. Refrigerator doors also exist that have a top and bottom plastic cap. In this case the door bearing must extend over the plastic cap as far as the metal door so that it can be screwed down. This produces different door bearing lengths.



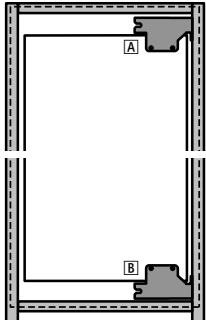
1) Head shape to DIN 965

K08 hinge

- ▶ Installation
- ▶ Technical specifications

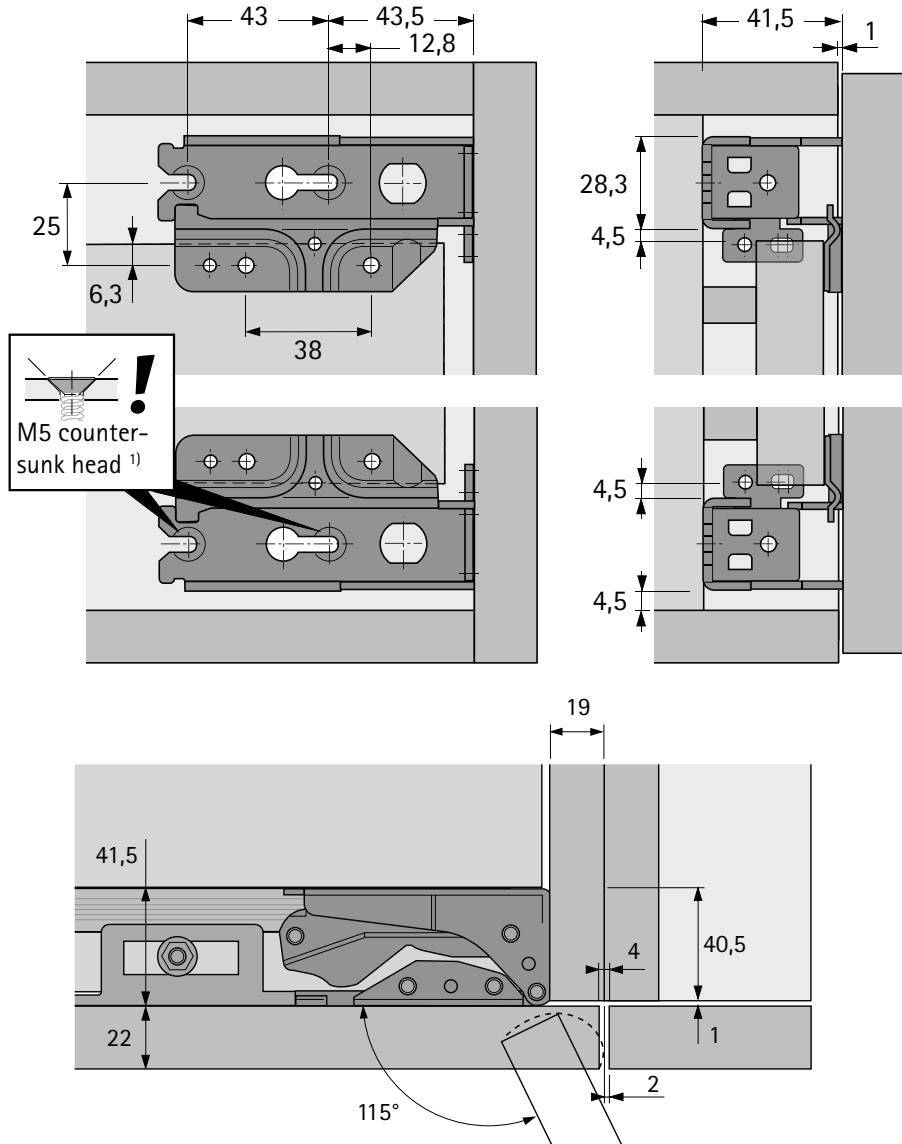
Optimum installation on refrigerators and freezers

Built-in refrigerator / freezer



A sturdy design of appliance and door will ensure long hinge life. Using these dimensions also makes the hinge very easy to exchange with K99 or K02.

The following dimensions are ideal for achieving a maximum opening angle of 115°.



1) Head shape to DIN 965

Technical specifications

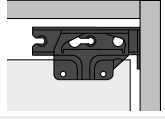
Function	Value
Material / finish	Steel, galvanised
Load per door	70 kg up to 130,000 cycles, in line with UL 250 up to 300,000 cycles
Temperature range	Application temperature: 5°C to 40°C Transportation: -25°C to 70°C/72 h
Corrosion test	Corrosion-proof to DIN 50017 KFW (alternating condensation water climate) 500 hours without red rust Corrosion-proof to DIN EN ISO 9227 NSS (neutral salt spray test) 96 hours without red rust
RoHS	compliant
Lubrication	H1 approved lubricant

K08 hinge

- ▶ **Component summary**
- ▶ **Accessories**

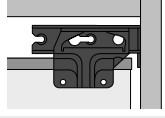
Door with folded metal edge

- ▶ Please order one hinge A and one hinge B per door.

Type	Description	Drawing no.	Order no.		PU
	Use on built-in refrigerator / freezer K08 – Type A – BTA41.5-K5/5.1-H25-115°/Z *)	BA 02322	9 131 658		50
	Use on built-in refrigerator / freezer K08 – Type B – BTA41.5-K5/5.1-H25-115°/Z *)	BA 02323	9 131 659		50
	Use on built-under refrigerator K08 – Type A – BTS41.5-K5/5.1-H25-115°/Z *)	BA 02320	9 131 075		50
	Use on built-under refrigerator K08 – Type B – BTS41.5-K5/5.1-H25-115°/Z *)	BA 02321	9 131 076		50

Door with plastic cap

- ▶ Please order one hinge A and one hinge B per door.

Type	Description	Drawing no.	Order no.		PU
	Use on built-in refrigerator / freezer K08 – Type A – BTA41.5-K5.8/ 5.2-115°	BA 02316	9 130 953		50
	Use on built-in refrigerator / freezer K08 – Type B – BTA41.5-K5.8/ 5.2-115°	BA 02317	9 130 954		50
	K08 – Type A – BTS41.5-K5.8/5.2-115°/Z *)	BA 02318	9 131 111		50
	K08 – Type B – BTS41.5-K5.8/5.2-115°/Z *)	BA 02319	9 131 112		50

Accessories

	Description	Drawing no.	Order no.	PU
	Opening limiter pin, 90°, galvanised	BN 10488	9 098 734	1000
	Cover cap, white	BN 10681	9 096 440	1000

*) Hinges are supplied closed

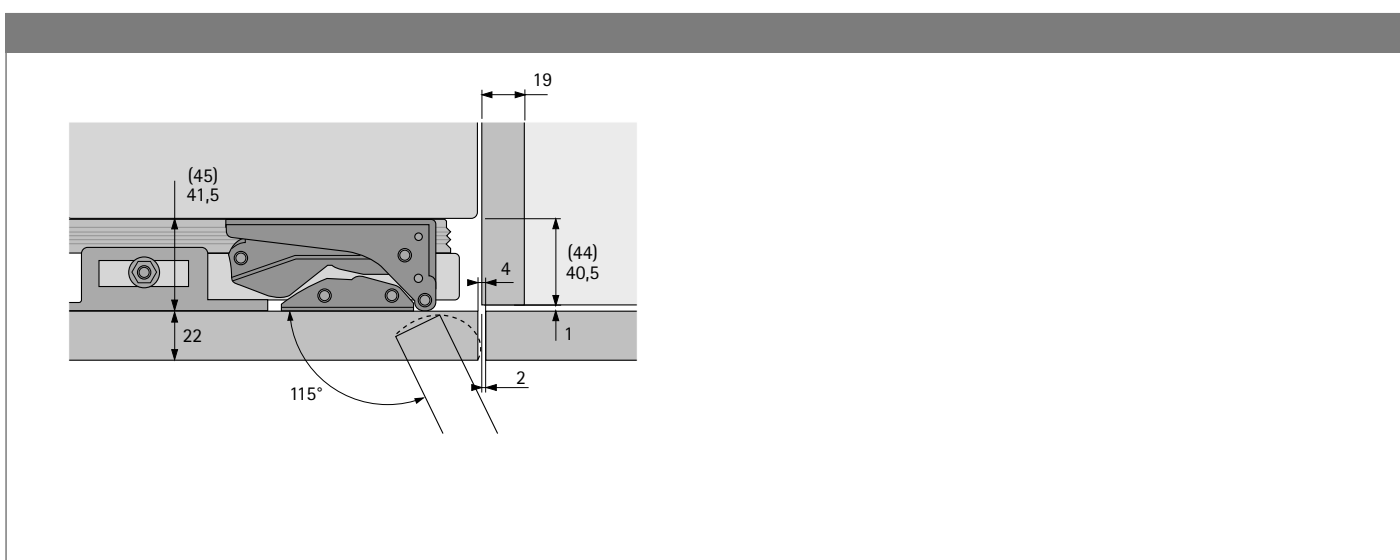
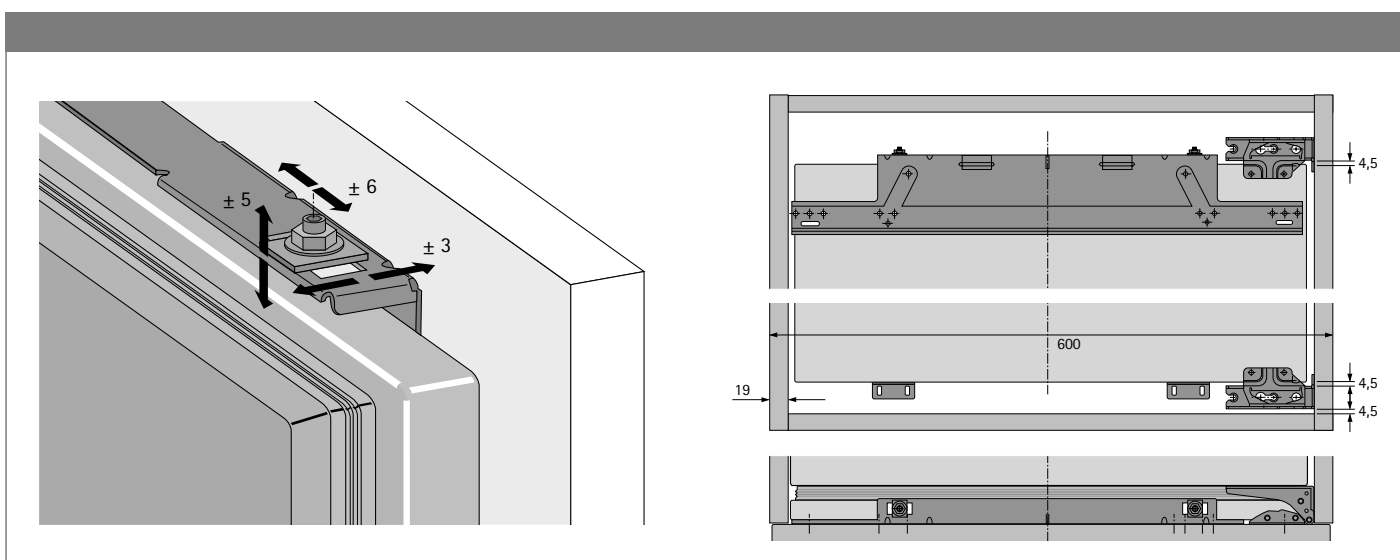
K99, K02 and K08 hinges

► Installation note

Attaching furniture front

The 3-D installation system joins the refrigerator or freezer to the furniture front. It lets you adjust the door in three directions and is available in set form. Detailed installation instructions will be provided on request. Only involving a few screws, installation is simple and fast.

The diagram on the right shows the ideal installation dimensions for using the 3-D installation system.



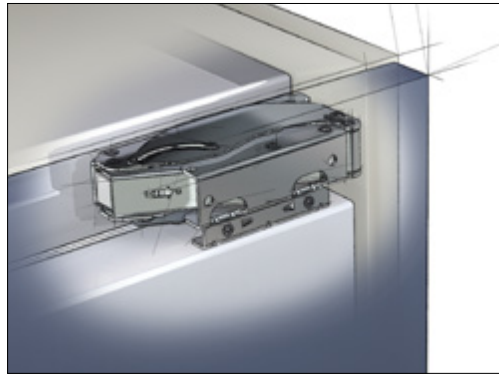
K05 hinge

- ▶ Diagrams
- ▶ Product features

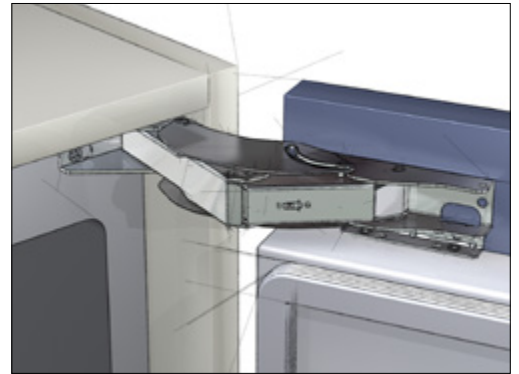
Installation diagrams / advice

The diagrams show the K05 hinge fitted. The hinge is fitted in two stages.

1. Screw hinge to appliance door.
2. Block hinge using installation tool, now engage and screw to appliance at keyholes using the principle of positive locking.

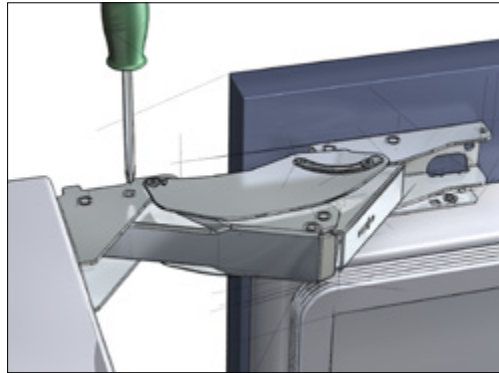


Connecting hinge to appliance door

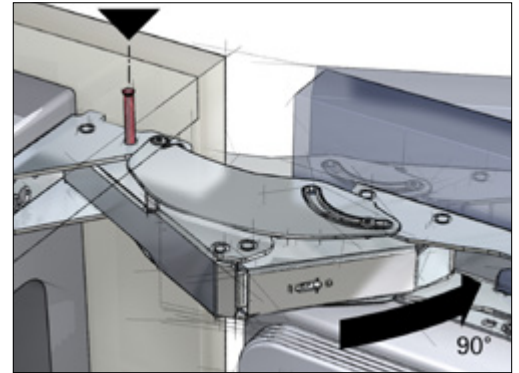


Connecting hinge to refrigerator carcass at keyholes using principle of positive locking

Product features



The hinge can be blocked using the installation tool



An opening limiter pin is fitted if the angle of 115° cannot be achieved because of adjacent furniture elements. The hinge then only opens as far as 90°

Closing assistance

The hinges leave the factory with closing assistance deactivated. Closing assistance should only be activated once the hinge has been installed. This is done by moving the screw from position 0 to 1.



▶ Note

The loading capacity and life of the hinges is largely determined by the rigidity and stability of the refrigerator cabinet and its door.

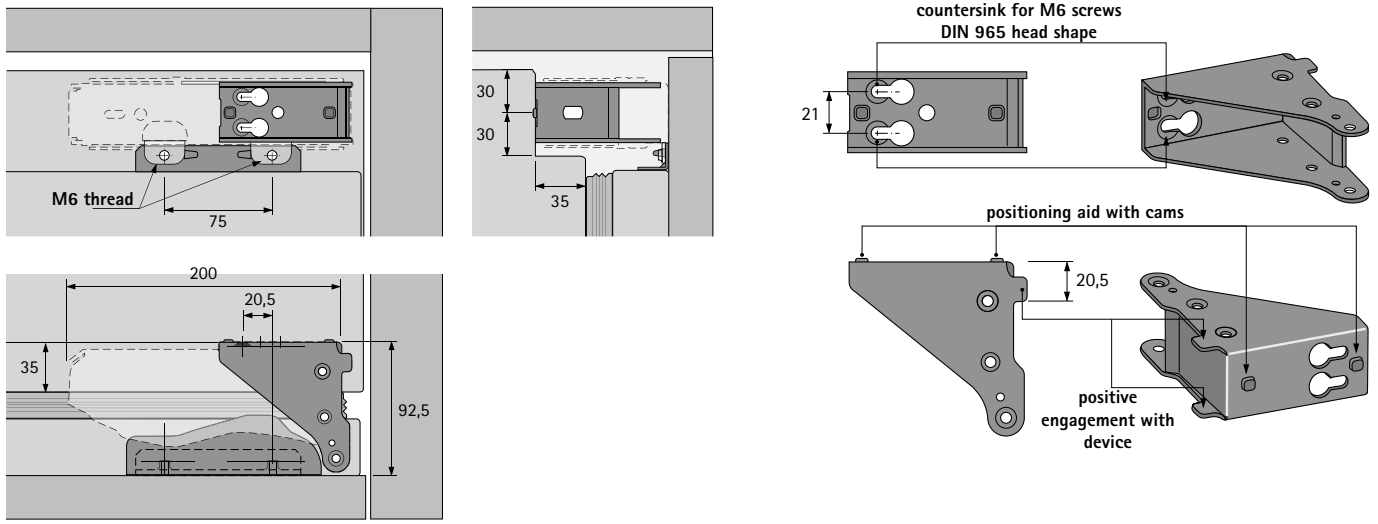
K05 hinge

► Connecting hinge to refrigerator door

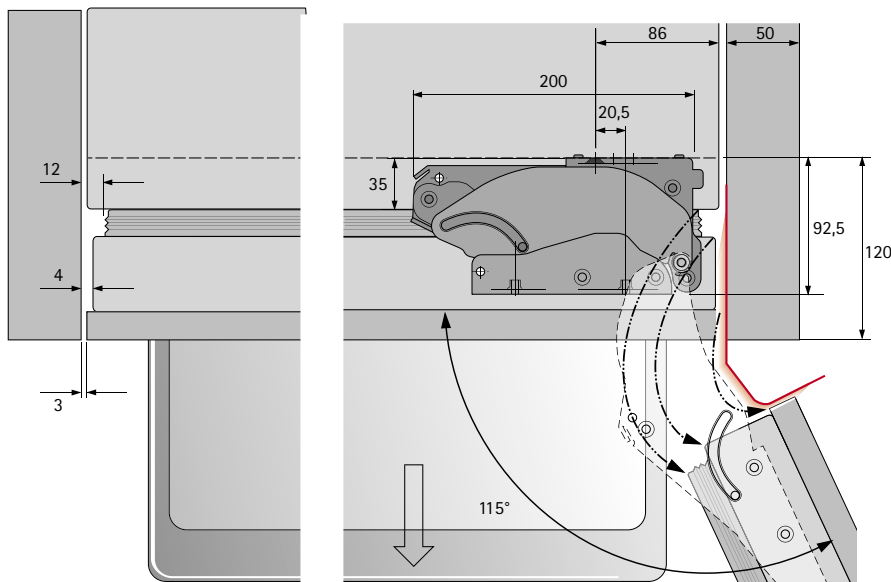
What makes the K05 hinge so special is the fact that it lets the appliance door open to a particularly wide angle. This makes it possible to pull out refrigerator and freezer compartments all the way as they are not obstructed by the door.

The K05 hinge is also designed for American installation situations such as face frame. The hinge's wide opening angle prevents any collision with adjacent furniture elements. However, installation at a wall requires a wider vertical frame.

Optimum installation



Appliance door opening



K05 hinge

- ▶ **Technical specifications**
- ▶ **Component summary**

Technical specifications	
Function	Value
Profile material / finish	Steel, galvanised
Load per door	K05-L: 75 kg up to 200,000 cycles at a hinge distance of 1720 mm, in line with UL 250 up to 300,000 cycles K05-S: 92 kg up to 200,000 cycles at a hinge distance of 1200 mm, in line with UL 250 up to 300,000 cycles K05-X: 110 kg up to 200,000 cycles at a hinge distance of 1720 mm, in line with UL 250 up to 300,000 cycles
Temperature range	Application temperature: 5°C to 40°C Transportation: -25°C to 70°C/72 h
Corrosion test	Corrosion-proof to DIN 50017 KFW (alternating condensation water climate) 500 hours; corrosion-proof to DIN EN ISO 9227 NSS (neutral salt spray test) 500 hours
RoHS	compliant

Component summary

- ▶ Please order one hinge A and one hinge B per door.

	Description	Drawing no.	Order no.		PU
	Use on built-in refrigerator / freezer K05-A-BT92.5SYM.M6-115°"L"/WS	BA 02006 *)	9 046 685		12
	Use on built-in refrigerator / freezer K05-B-BT92.5SYM.M6-115°"L"/WS	BA 02007 *)	9 046 686		12
	Use on built-in refrigerator / freezer K05-A-BT92.5SYM.M6-115°"S"/WS	BA 02004 *)	9 040 819		12
	Use on built-in refrigerator / freezer K05-B-BT92.5SYM.M6-115°"S"/WS	BA 02005 *)	9 040 820		12
	Use on built-in refrigerator / freezer K05-A-BT92.5SYM.M6-115°"X"/WS	BA 02008 *)	9 082 127		12
	Use on built-in refrigerator / freezer K05-B-BT92.5SYM.M6-115°"X"/WS	BA 02009 *)	9 082 128		12

Accessories

	Description	Drawing no.	Order no.		PU
	Opening limiter pin, 90°, Niro	BN 10187	9 046 938		500
	Adapter bracket for door connection	BN 10172	9 056 750		96

*) Hinges are supplied closed and leave the factory with closing assistance deactivated

www.hettich.com

1206-044_K-hinges_0913_HMV/en

Technik für Möbel

