



Beautiful. And beautifully quiet:
Sensys hinge

Key aspects at a glance

Technik für Möbel


Hettich

Fascinated by solutions.
We call it

Fascin[action]



Every piece of furniture has the potential to fascinate people. With luxurious convenience that pampers its users. With perfect space economics to free up the home. With design that sets pulses racing.

Getting furniture moving – that's our passion. We can give you cost-effective differentiation with a level of diversity second to none. Easing your workflow with products and services.

Hettich fitting solutions pamper furniture users in three experience dimensions:

Your customers will

- ▶ feel style,
- ▶ enjoy comfort,
- ▶ win storage.

Find out what this actually means right here:



fascination.hettich.com

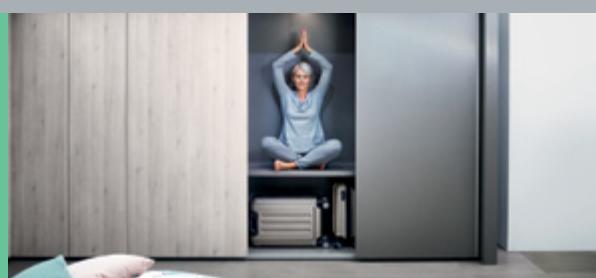
Feel style



Enjoy comfort



Win storage



Beautiful. And beautifully quiet: Sensys



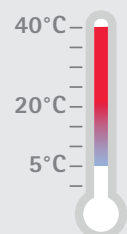
Sensys opens the door to new markets for you

Sensys hinges from Hettich are the heart of good doors. Unbeatable solutions for any furniture range with clever mounting and adjustment options. The integrated soft-closing function provides even greater convenience in closing hinged doors.



Four good reasons for Sensys

- 1. Excellent Silent System performance:**
Its outstanding performance saves a hinge on many larger type doors.
- 2. Whether in cool rooms or at high ambient temperature:**
The integrated Silent System never fails.
- 3. Closes almost on its own:**
The wide automatic closing angle of 35° lets doors close gently and reliably.
- 4. Put the final touch to your furniture design:**
Award winning Sensys design perfectly complements furniture.

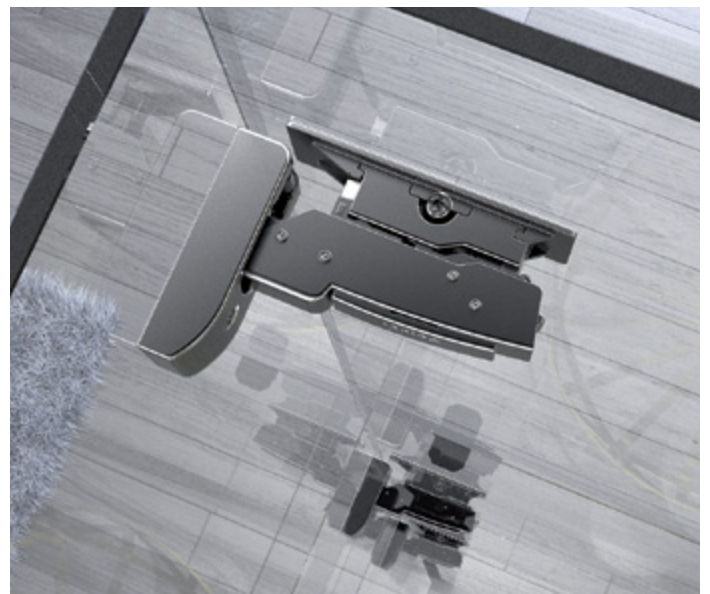


Creating perfect transparency: Sensys for glass applications



Design purity. Perfect performance.

With its narrow bonding surfaces, the Sensys hinge emphasises the purist look of glass elements. And the integrated Silent System makes sure that delicate glass doors close gently and reliably.





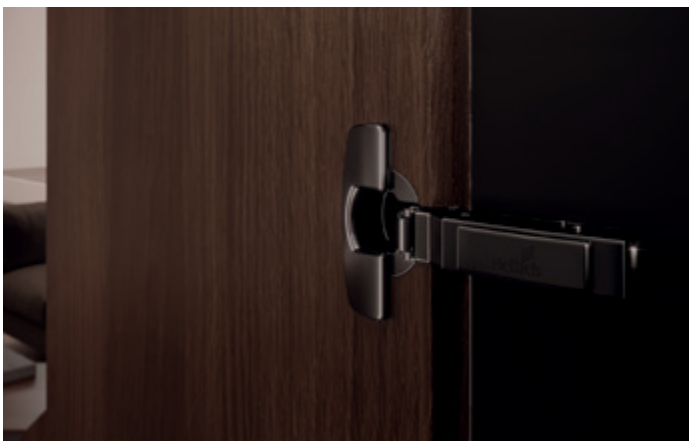
Powerful material mix

Sensys for glass applications very easily combines with all other Sensys products. This also lets you create fronts and cabinet bodies in different materials – for new design perspectives.



Conspicuously inconspicuous:
Sensys in obsidian black





Never before as harmonious

As intelligent as nature: good camouflage is worth a lot. Hettich applies this principle of nature to furniture design: with perfectly performing fitting systems that blend discreetly and harmoniously into the design of dark furniture.

Fascinatingly delicate furniture design: Sensys thin door hinge



More design flexibility

Whether an airy light purist look, classy combined facing panels in glass or exclusive materials – suddenly everything is possible, providing endless design flexibility. With an insertion depth of not even 8 mm, the Sensys thin door hinge opens up options you never imagined were possible.





Differentiation made easy

A classy thin front makes premium furniture out of a standard cabinet body. Door thickness can be reduced to 10 mm, letting heavy materials create a lightweight door that can be used with the usual number of hinges.

Further functions for all sorts of application purposes



Sensys wide-angle hinge

Providing an opening angle of 165 degrees, the Sensys wide-angle hinge gives furniture doors a wide opening angle and closes them evenly and gently. Internal drawers can be fitted without spacer profiles while preventing trapped fingers no matter what position the door is in.



Sensys thick door hinge

Fitted with Sensys, even thick furniture doors close smoothly, gently and silently. The Sensys thick door hinge is the perfect choice for creating narrow reveals and chunky doors.

The right solution to any demand



Sensys without self closing feature

With Hettich, handleless furniture design not only shines from the outside but also from within: used in conjunction with Push to open, award winning Sensys designer hinges without self closing feature give furniture a truly stunning look.

Sensys without Silent System

To differentiate your furniture ranges while leaving their design unchanged, Sensys hinges are also available without Silent System.

Benefits at a glance

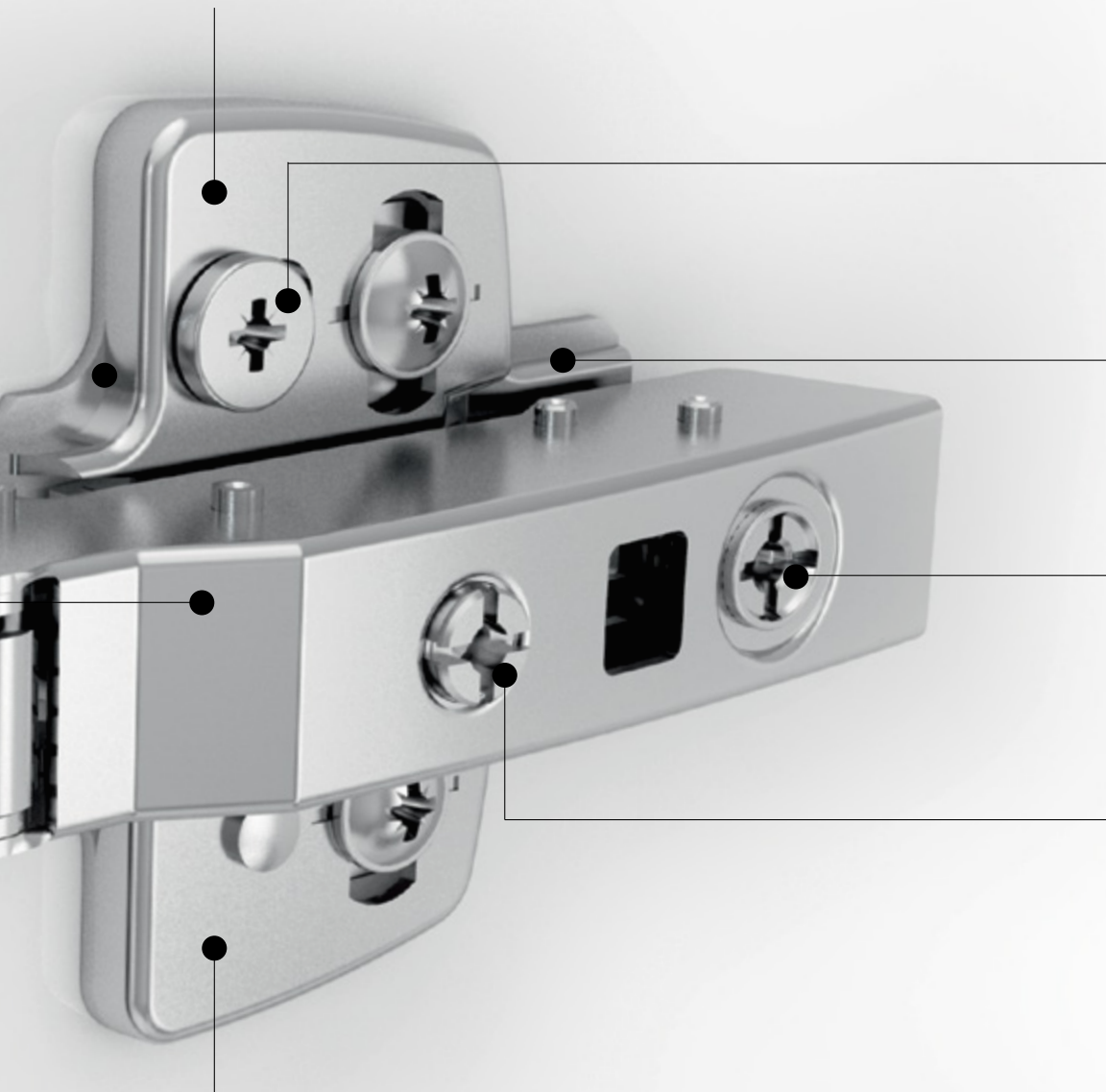
Elegant cover cap is available for the hinge cup and the hinge arm

High quality Silent System invisibly integrated in the hinge arm

Shallow cup depth also permits particularly thin fronts



Mounting plate compatible
with Intermat hinges



Cam height adjust-
ment provides huge
time savings

The hinge clips onto
the mounting plate for
quick, easy installation

Integrated door adjust-
ment for aligning the
door with millimetre
accuracy

Integrated overlay
adjustment with stop
limitation for perfect
reveal alignment

Perfectly coordinated
design of hinge and
mounting plate

To the product page



www.hettich.com/short/25bba9

To the animation



www.hettich.com/short/fa3e74

To the hinge configurator



www.hettich.com/short/7e748b

Broad compatibility: The Sensys mounting plate

One mounting plate system – a wealth of options

- ▶ One universal mounting plate system as platform for Sensys and Intermat fast assembly hinges
- ▶ Greatest possible selection of different hinge solutions for any application
- ▶ Boundless creative flexibility for customised furniture design, even for automatic production processes



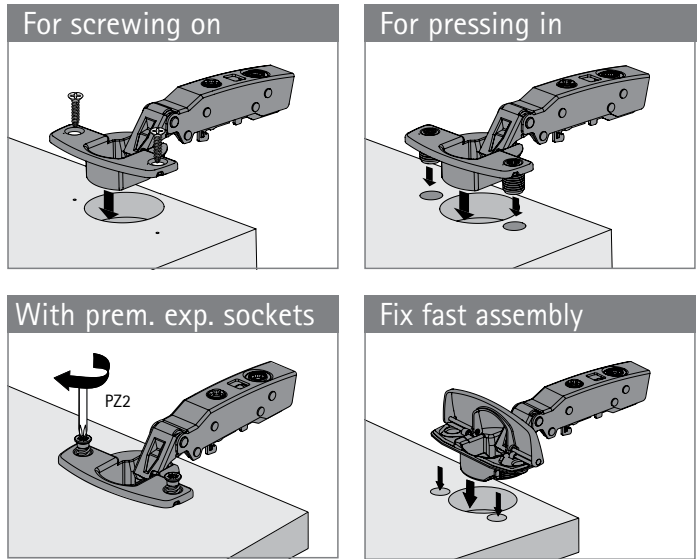
Adjustment convenience

- ▶ Three dimensional door alignment by means of direct vertical, depth and lateral adjustment
- ▶ Convenient adjustment without having to undo screws
- ▶ For accurate and neat reveal alignment at the turn of a hand



Flexibility in terms of drilling pattern and attachment method

- ▶ All hinges are available for various drilling patterns
- ▶ Various options for mounting on door and cabinet body
- ▶ Depending on attachment method, e.g. for screwing on, for pressing in, with expanding sockets or tool-less Fix fast installation
- ▶ Always the right solution for your needs



It's easier with Hettich

Hettich hinges are not only excel in quality, they also install with first class results. Whether with machinery, assembly aids or practical drilling jigs: we take the effort out of everyday work routine in the workshop and on the construction site.

BlueJig Hinge



For centre-punch drilling patterns for hinges and cross mounting plates.

DrillJig Hinge



For precision installation of hinges on single or special production pieces or for retrofitting furniture doors at the customer.

BlueMax Mini



BlueMax Mini automatic drilling and insertion machines from Hettich give you precision results in the furniture workshop.

www.hettich.com

Order no.: 9.266356
1812-019_Sensys_ArgFolder_01/19_H0N/en

Technik für Möbel

