

# Cargo IQ plus



Simple and versatile



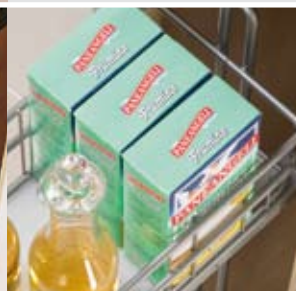


### Cargo IQ plus

Concealed runners and smooth curves make the Cargo IQ plus a highlight in any kitchen. With a choice of surface finishes, the Cargo IQ plus can be matched to individual design concepts. The powder-coated mat silver finish creates an understated, contemporary look, while the chrome-plated surface is elegant, yet eye-catching. Translucent bottom panels add the finishing touch to the premium look and feel of the Cargo IQ plus.



150 mm



200 mm



300 mm

## Versatile, attractive and practical

The Cargo IQ plus keeps spices, oils and other ingredients within quick and easy reach. Even small bottles and jars stand securely on the closed surface of the trays. CargoIQ is available for base unit widths 150 mm, 200 mm und 300 mm.

The Cargo IQ plus can be converted in seconds to store baking trays – by removing the tray from the top shelf.

A Cargo IQ plus close to the sink can be fitted as the ideal towel holder, or it could be used to store cleaning agents and detergents.





Fit for purpose every time





## Ready to go in record time

Cargo IQ plus assembly is a matter of seconds. The fitting is simply placed on the runners and pushed home. A soft click shows that the job is done.

The front panel can be adjusted in two dimensions. Perfect alignment all round is absolutely simple and fast.





### Only the best concealed runner technology

The Cargo IQ plus glides on Quadro runners, which live up to their reputation for peak performance.

Quadro promises years of smooth runner action thanks to its unique self-cleaning feature. This plus an extremely long service life with outstanding tracking stability make Quadro the first choice among runners.

With integrated Silent System damping, the Cargo IQ plus always comes to a smooth, whisper-soft stop. The damper brakes the closing action gently over the final stretch, so there's no risk of bottles clattering and falling over. Noise levels in the kitchen are reduced.



## Quadro V6 full extension



- Load capacity Cargo IQ plus:  
150 mm: 15 kg (for one-side and diagonal attachment),  
200 mm: 17.5 kg (for one-side and diagonal attachment),  
300 mm: 20 kg (for diagonal attachment only)
- Perfect vertical and lateral stability; optimal runner action thanks to steel balls running in precision steel tracks
- Maintenance-free thanks to self-cleaning ball tracks
- Simple slide-on assembly – place Cargo IQ plus on runners, push home, done!
- Silent System: the Quadro V6 with integrated damping closes the Cargo IQ plus quietly under gentle control

### Runners for Cargo IQ plus for base cabinets

Quadro V6 30/470 Silent System	Order no. left	Order no. right	PU
16 mm side panel, IW 12.5	904 628 8	904 628 9	20
18 mm side panel, IW 10.5	904 745 2	904 745 3	20
19 mm side panel, IW 9.5	904 728 9	904 729 0	20

Other Quadro runners on request



### Pull-outs for extra convenience

Cargo IQ plus shows up the contents of wall units to best effect – easy on the eye and easy to handle. Perfectly organised, jars of herbs and spices simply slide into view. Keeping wall units tidy is a challenge. The internal pull out shelf for wall units solves the problem, turning cluttered space into an attractive design element in the kitchen. The stylish and practical pull out glides smoothly and closes softly on proven Quadro runners with integrated Silent System.



## Wall units perfectly organised

Contemporary style – high quality powder coating in mat silver





### Added value at eye level

Cargo IQ plus for wall units is as attractive as it is practical and versatile. The top basket can be slid smoothly to a different level without the user having to alter the position of the wall unit's middle shelf. In other words, it's easy to adapt Cargo to individual requirements. Furthermore, Cargo shelves are removable – another feature that helps users get best use out of this practical addition to kitchen convenience. As an innovative design element, Cargo IQ plus for wall units is cost-effective and helps give a kitchen that competitive edge.

Eyecatching elegance – the chrome finish



#### Runners for Cargo IQ plus for wall cabinets

Quadro V6 15/260 Silent System	Order no. left	Order no. right	PU
16 mm side panel*, IW 12.5	904 718 0	904 718 1	20
18 mm side panel*, IW 10.5	904 739 2	904 739 3	20
19 mm side panel*, IW 9.5	904 728 1	904 728 2	20

\* All fittings usable independent of IW dimensions

# Cargo IQ plus for 150, 200, 300 mm wide units

Item All dimensions in mm

## Cargo IQ plus 90°

without runners or bottom panels (runners see page 5)  
(attachment left, right and diagonal,  
Note: 300 mm version diagonal attachment only!)



Version	Cabinet width	Finish	Order no.	PU
90°	150	silver	907 758 8	20
90°	200	silver	906 585 7	5
90°	300	silver	906 586 0	4

## Cargo IQ plus 45°

without runners or bottom panels (runners see page 5)



Version	Finish	Order no.	PU
45° left	silver	905 357 0	20
45° right	silver	905 356 9	20

## Cargo IQ plus towel holder

without runners or bottom panels (runners see page 5)  
(attach left)



Version	Finish	Order no.	PU
90° towel holder	silver	907 761 2	20

## Bottom panels



Version	Cabinet width	Finish	Order no.	PU
45° right	150	translucent	905 357 1	40
45° left	150	translucent	905 767 0	40
90° + towel holder	150	translucent	907 760 1	40
90°	200	translucent	906 586 1	40
90°	300	translucent	906 586 2	40

# Cargo IQ plus for 150, 200, 300 mm wide units

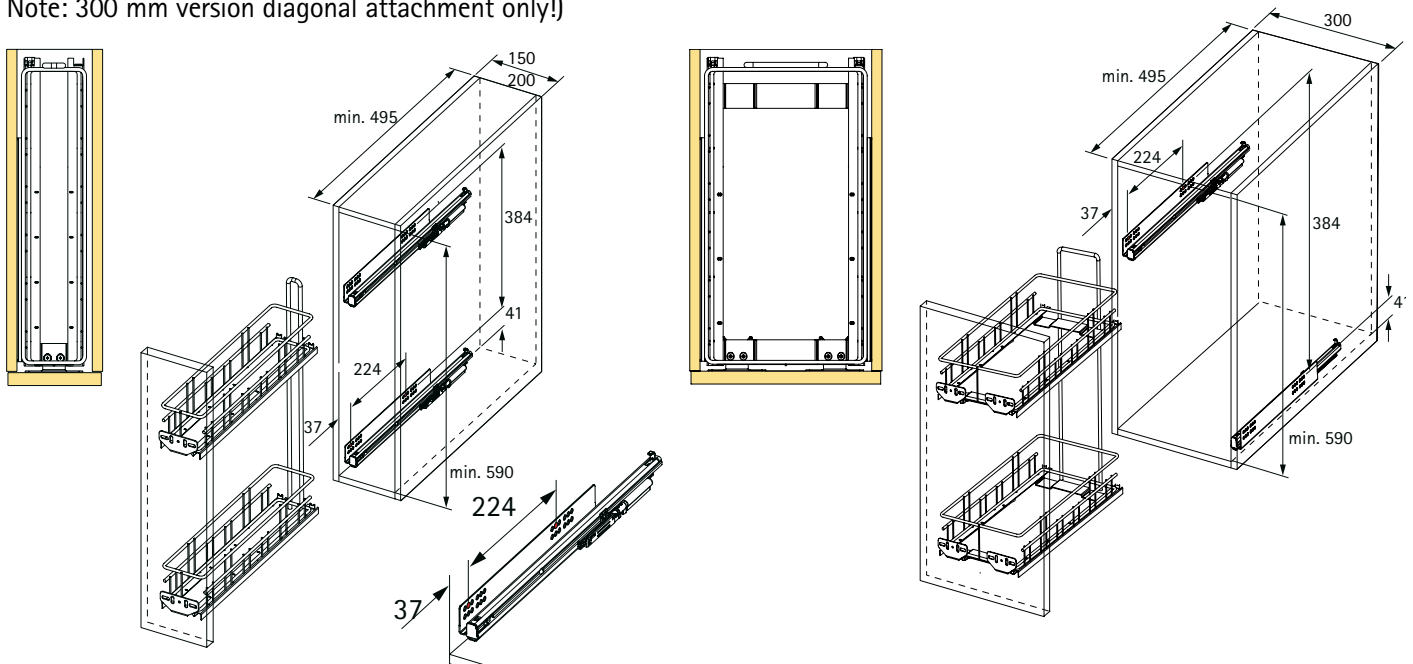
Item

All dimensions in mm

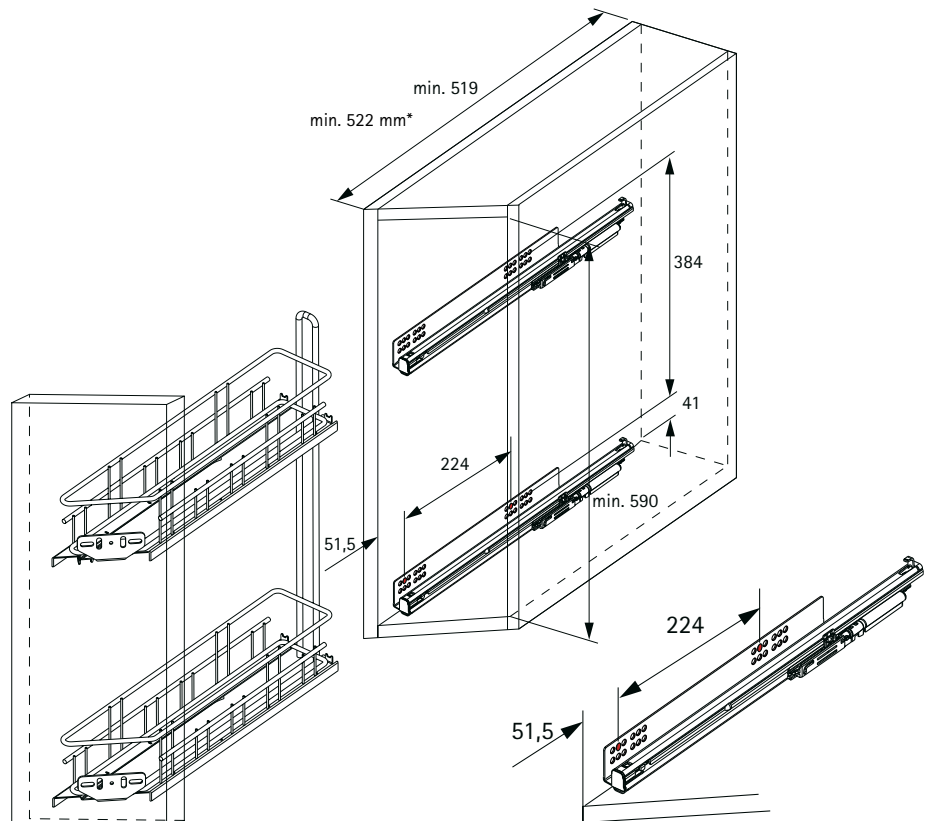
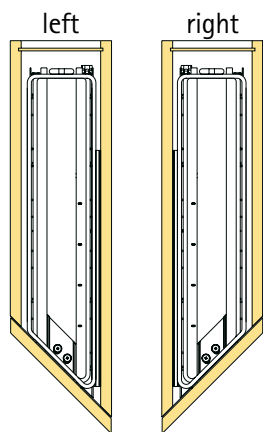
## 90° version and towel holder (150, 200 + 300 mm)

(attachment left, right and diagonal,

Note: 300 mm version diagonal attachment only!)



## 45° version (150 mm)



\* for 19 mm side panel

# Cargo IQ plus

Item

All dimensions in mm

## Cargo IQ plus for wall cabinets



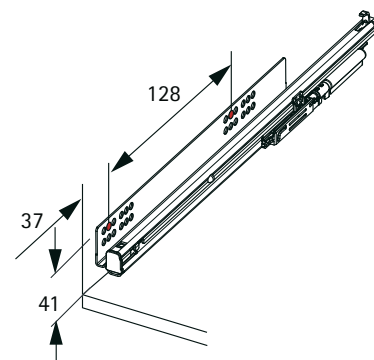
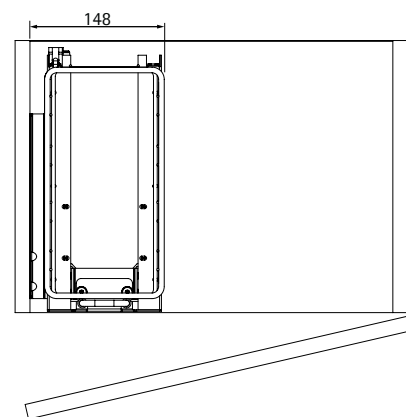
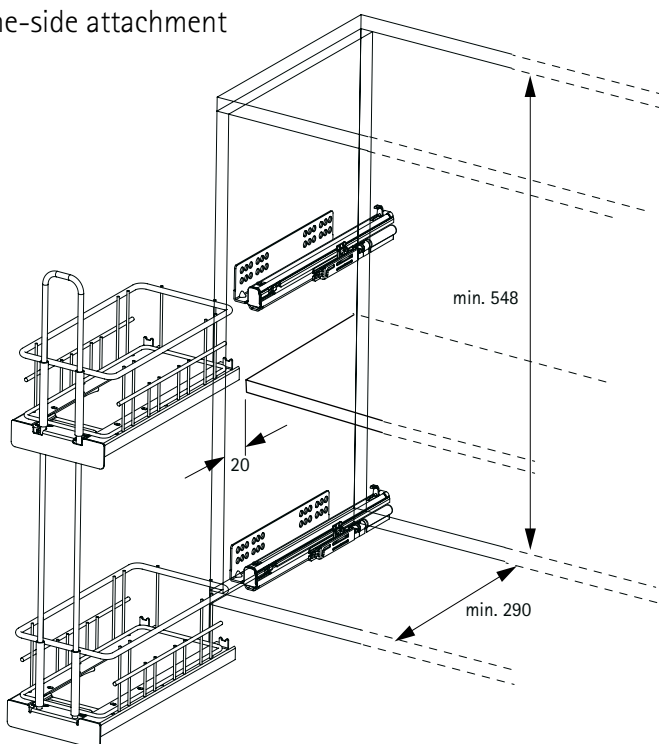
### Technical data:

- Load capacity approx. 10 kg (one-side attachment)
- Basket inside width 105 mm
- Plastic bottom panel

Version	Finish	Order no.	PU
90°	silver/chrome metal bracket	906 648 6	10
90°	chrome/chrome metal bracket	907 761 6	10
Translucent bottom panel		906 646 4	40

Item

only one-side attachment







Hettich Marketing- und Vertriebs GmbH & Co. KG  
P.O. Box 1240 · D-32269 Kirchlengern · Germany · Phone +49 5223 77-0 · E-mail: kitchen-info@de.hettich.com  
[www.hettich.com](http://www.hettich.com)