

071-11-0148-00-0, Rev. A [INSTRUC\071-11-0148-00-0]

Note:

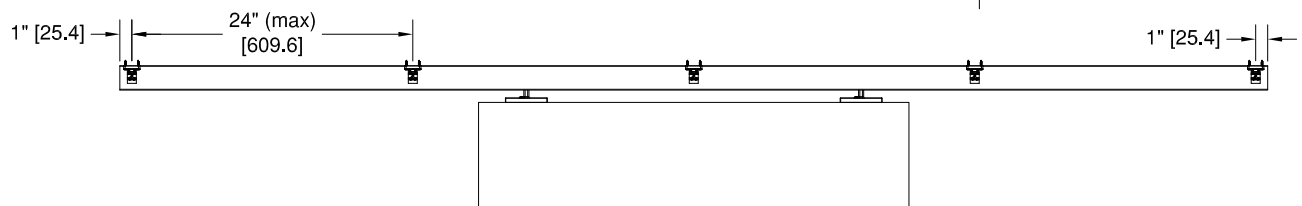
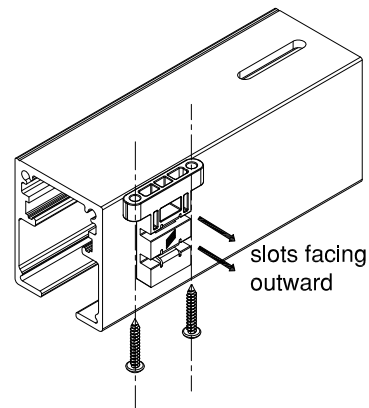
- These instructions assume a properly framed opening with a carefully leveled mounting condition.
- It is recommended to pre-drill all screws.

1 Install door / door hardware

Install track, hardware and door according to hardware set instructions.

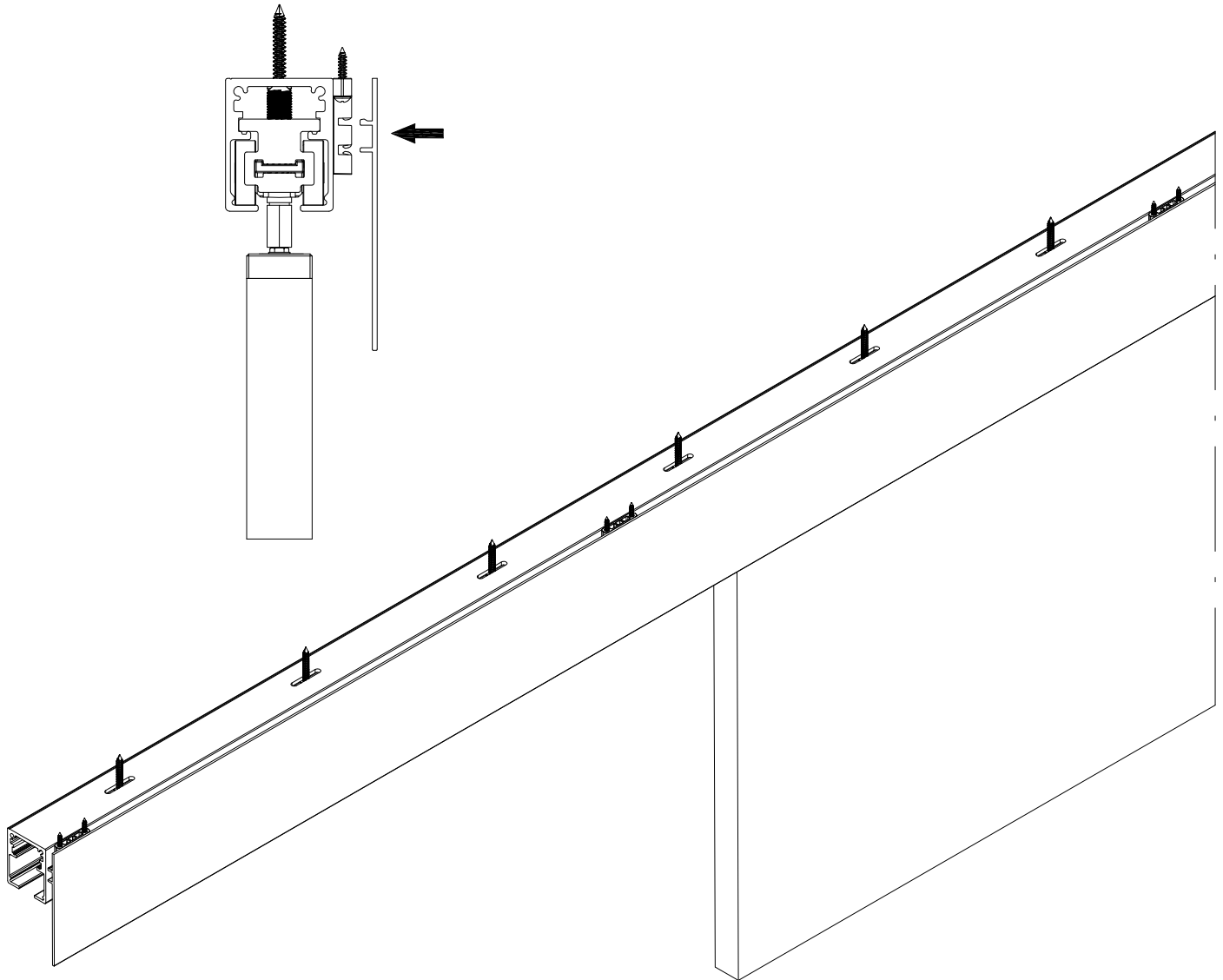
2 Install plastic fascia holding clips

Orient fascia clips so that the slots are facing outward and the back side of the clip rests against the track. Mount a clip to the header with the center of the clip 1" [25.4] from the end of the track using two #5 x 3/4" [19.1] tapping screws. Mount a second clip with the center of the clip 1" [25.4] from the opposite end of the track. Install remaining clips equally spaced along the track as shown below (24" [609.6] maximum spacing between clips).



3 Snap fascia into holding clips

Snap locking tabs of aluminum fascia into the slots in the plastic fascia clip (fascia can be removed for adjustments and re-inserted).



071-11-0148-00-0, Rev. A [INSTRUC\071-11-0148-00-0]