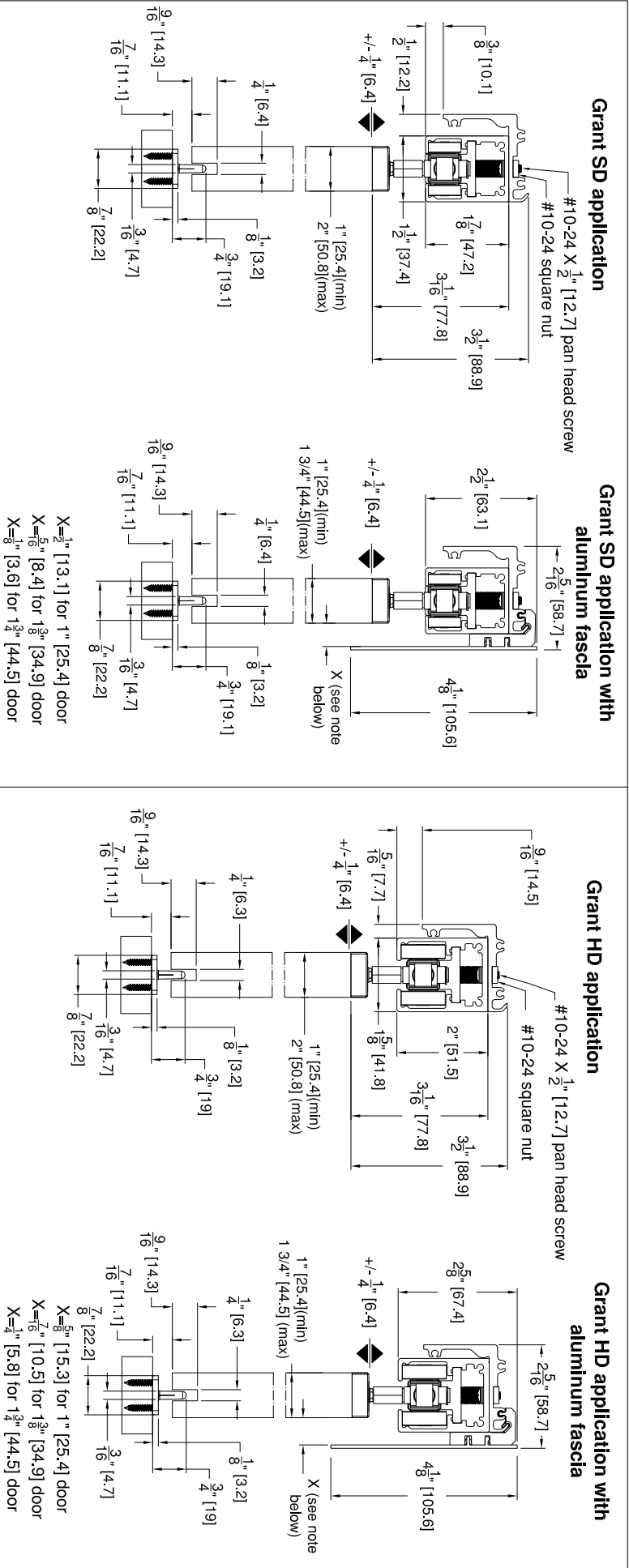


Assembly Instructions
Top Line Grant® SD / HD Wall Mount Bracket
SD System (up to 150 lbs [68 kg] per door) / HD system (up to 325 lbs [147 kg] per door)
 for sliding applications

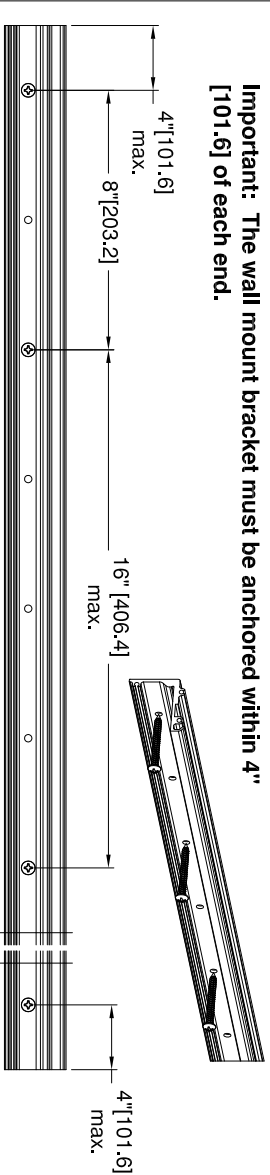
Technik für Möbel



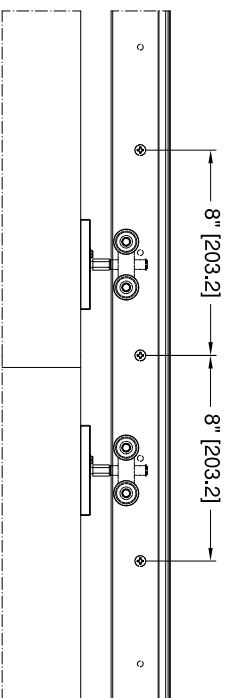
1 Install wall mount bracket

Mount bracket to solid anchor along the wall using #12 x 2" [50.8] screws. **Recommended spacing between screw locations is 8" [203.2], max. spacing is 16" [406.4].**

Important: The wall mount bracket must be anchored within 4" [101.6] of each end.

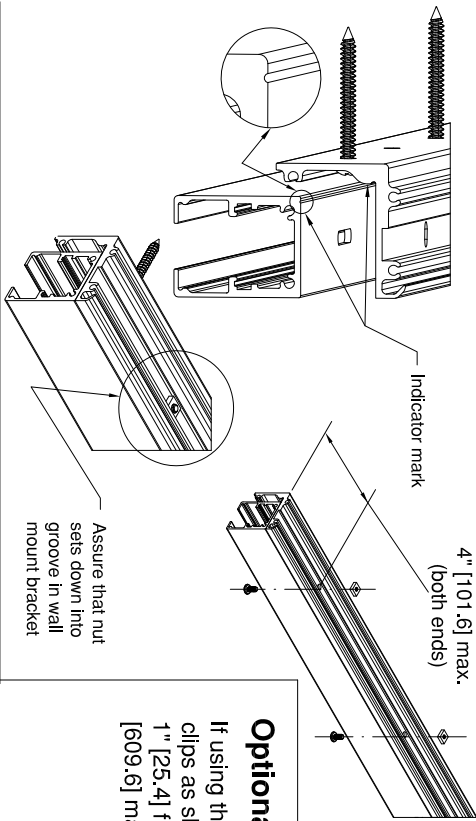


Important: For bi-parting application, screw location nearest to where doors meet must be used. Spacing must be no more than 8" [203.2] to the next adjacent screw location, 4" [101.6] preferred.



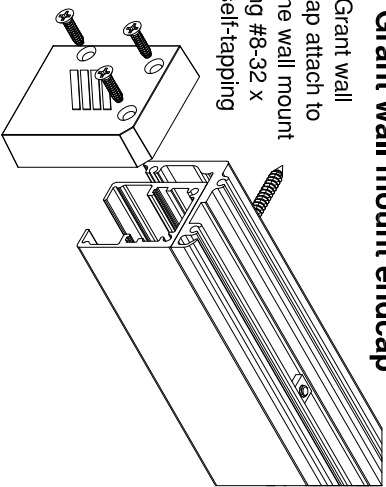
2 Install track

Important: Track must be oriented so the side with the "indicator mark" is against the wall mount bracket. Using the #10-24 x 1/2" [12.7] machine screws and nuts, mount the track to the bracket (**tighten to a torque of 26 in lbs [3 Nm]**). Assure that nuts set all the way down in the groove in the wall mount bracket.
Important: All holes (slots) must be used. The track must be mounted to the wall mount bracket within 4" [101.6] of the end (both ends).



Optional Grant wall mount endcap

If using the Grant wall mount endcap attach to the end of the wall mount bracket using #8-32 x 5/8" [15.9] self-tapping screws.



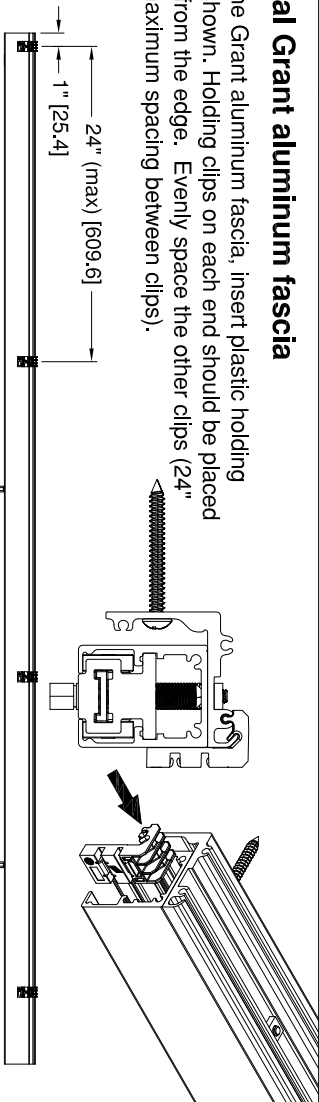
3 Install hardware

Install hardware according to hardware set instructions.
Note: If using the optional Grant fascia endcap (shown below), door stops must be set so there is 1/4" [6.4] (minimum) gap between the door edge and the endcap at the extents of door travel to keep door from impacting endcap. (This step is not necessary for the optional Grant wall mount endcap also shown below.)

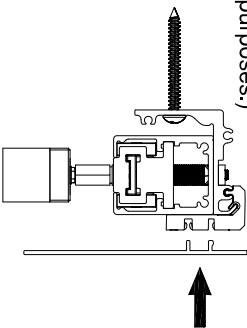


Optional Grant aluminum fascia

If using the Grant aluminum fascia, insert plastic holding clips as shown. Holding clips on each end should be placed 1" [25.4] from the edge. Evenly space the other clips (24" [609.6] maximum spacing between clips).

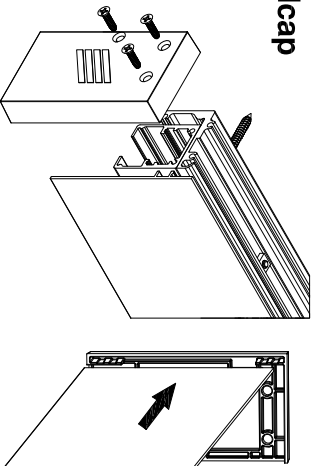


Insert locking tabs of aluminum fascia into the grooves in the plastic holding clips. (Fascia can be removed for adjustment purposes.)



Optional Grant fascia endcap

If using the Grant fascia endcap, attach to the end of the wall mount bracket using #8-32 x 5/8" [15.9] self-tapping screws. (Be sure that the fascia slides into the recess in the side of the endcap during attachment.)



! Warning

The Top Line Grant SD / HD door systems ("Door System") are designed to support cabinets, storage walls, or doors weighing up to the specified load capacities. The Door System must be installed by attaching it to a framing member that is designed to support the specified load limit plus the weight of the Door System ("Total Support Weight"). Improper installation of the Door System, including, but not limited to, the use of unauthorized hardware, or the failure to install the Door System by attaching it to a framing member that is designed to support the Total Support Weight, could result in serious injury or death. **DO NOT INSTALL THE DOOR SYSTEM TO A FRAMING MEMBER THAT IS NOT DESIGNED TO SUPPORT AT LEAST THE TOTAL SUPPORT WEIGHT. INSTALL THE DOOR SYSTEM ONLY IN THE MANNER SET FORTH IN THE DOOR SYSTEM'S DOOR HARDWARE INSTALLATION INSTRUCTIONS.**