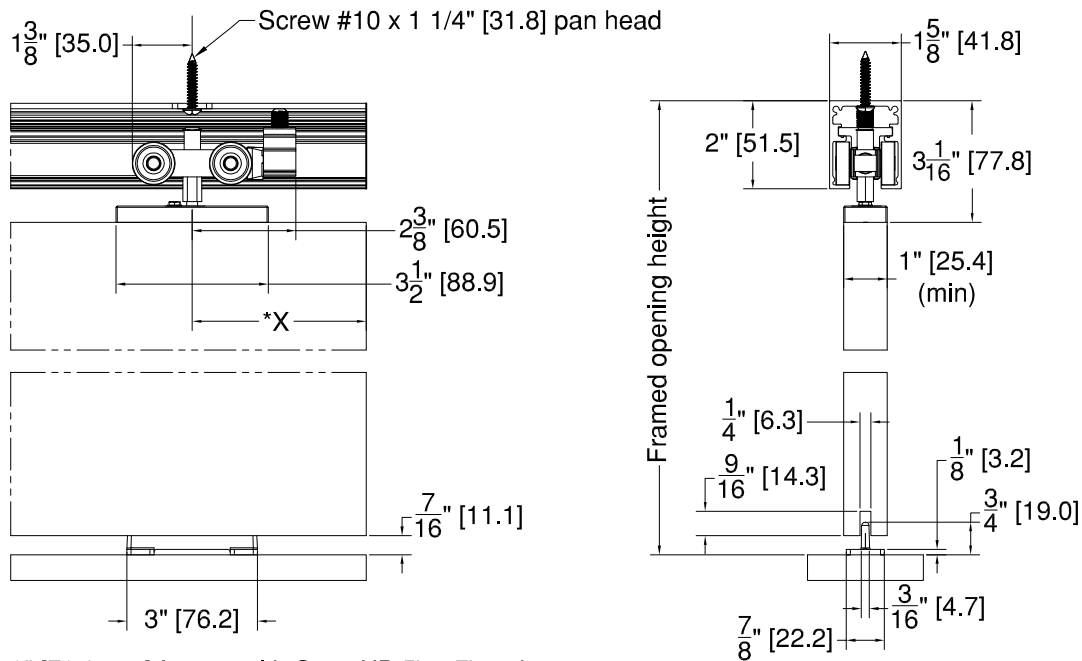


Framed Opening Height = $3\text{-}1/16"$ + Panel + $7/16"$
 Vertical leveling adjustment ($\pm 1/4"$)



*X = 3" [76.2 mm] for use with Grant HD 5' or 7' track
 *X = 4" [101.6 mm] for use with all other Grant HD track lengths

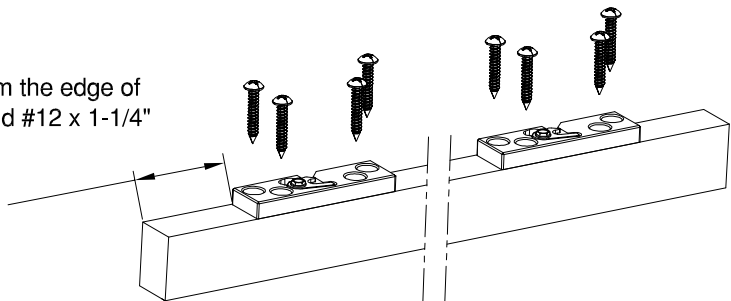
Note:

- For bi-parting doors use an additional set of hardware.
- For bypassing doors mount parallel tracks.
- These instructions assume a properly framed opening with a carefully leveled header.
- It is recommended to pre-drill all screws.

1 Top plate / door

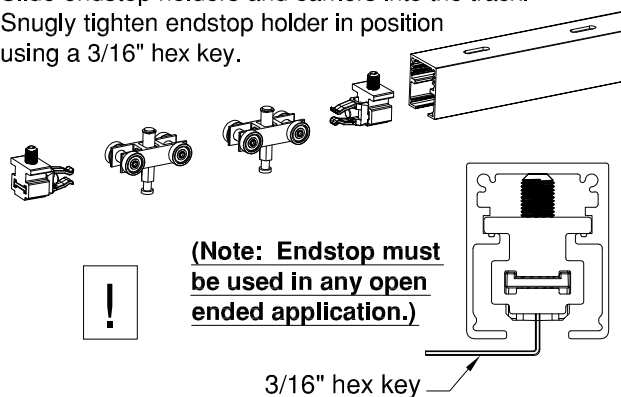
Mount each top plate at the correct dimension from the edge of the door and secure using four mounting holes and #12 x 1-1/4" pan head screws (provided).

- $1\text{-}1/4"$ [31.8] for use with Grant HD 5' or 7' tracks
- $2\text{-}1/4"$ [57.2] for use with all other Grant HD track lengths



2 Endstop holder / carrier

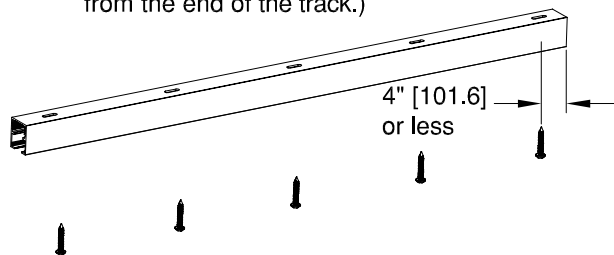
Slide endstop holders and carriers into the track. Snugly tighten endstop holder in position using a 3/16" hex key.



(Note: Endstop must be used in any open ended application.)

3 Track

Secure the track into position using #10 x 1 1/4" pan head screws every 8". (Note: if track is cut it MUST be insured that the last mounting screw is no more than 4" from the end of the track.)

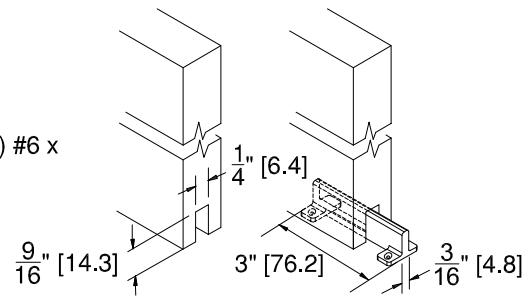


071-11-0141-00-0, Rev. B [INSTRUC \071-11-0141-00-0]

4 Floor guide

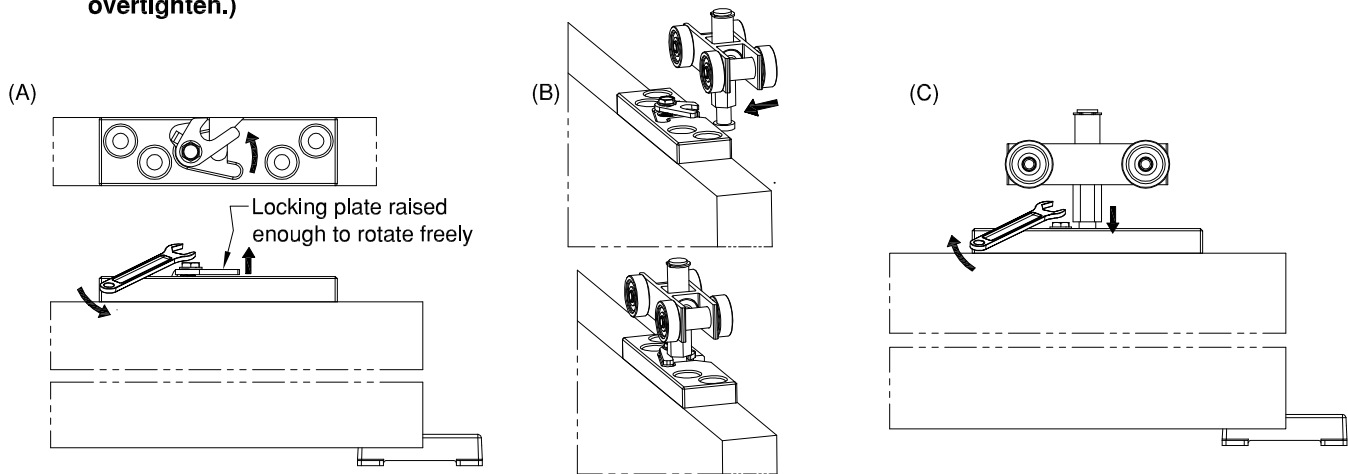
Cut a groove (1/4" wide x 9/16" high) into the bottom of the door.

Align floor guide vertically with the center of the track and fasten with (4) #6 x 3/4" screws (provided).



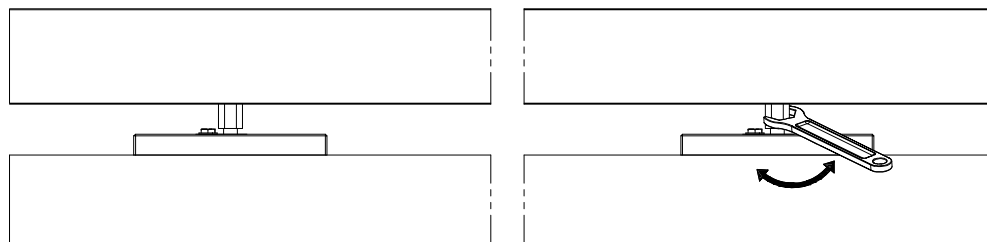
5 Mounting door

- A) Using a 1/4" wrench, loosen hex head machine screw just enough to allow the locking plate to rotate freely. **(Do not back screw completely out.)** Rotate plate as illustrated below in (A).
- B) Insert pendant bolt into the hole in the top plate. Locking plate will rotate into closed position as pendant bolt is inserted. **(Make sure pendant bolt is completely seated in top plate.)**
- C) Using a 1/4" wrench, tighten hex head machine screw to seat locking plate in top plate cavity. **(Do not overtighten.)**



6 Height adjustment

Using a 3/8" wrench, turn the pendant bolt as shown to adjust the position of the door up or down. Confirm the 7/16" dimension from the floor to the bottom of the door (see illustration from page 1).



! Warning

The Top Line Grant HD Series door system ("Door System") is designed to support cabinets, storage walls, or doors weighing up to 325 lbs. (147 kg). The Door System must be installed by attaching it to a framing member that is designed to support 325 lbs. (147 kg) plus the weight of the Door System ("Total Support Weight"). Improper installation of the Door System, including, but not limited to, the use of unauthorized hardware, or the failure to install the Door System by attaching it to a framing member that is designed to support the Total Support Weight, could result in serious injury or death. **DO NOT INSTALL THE DOOR SYSTEM TO A FRAMING MEMBER THAT IS NOT DESIGNED TO SUPPORT AT LEAST THE TOTAL SUPPORT WEIGHT. INSTALL THE DOOR SYSTEM ONLY IN THE MANNER SET FORTH IN THE DOOR SYSTEM'S DOOR HARDWARE INSTALLATION INSTRUCTIONS.**

071-11-0141-00-0, Rev. B [INSTRUC \071-11-0141-00-0]