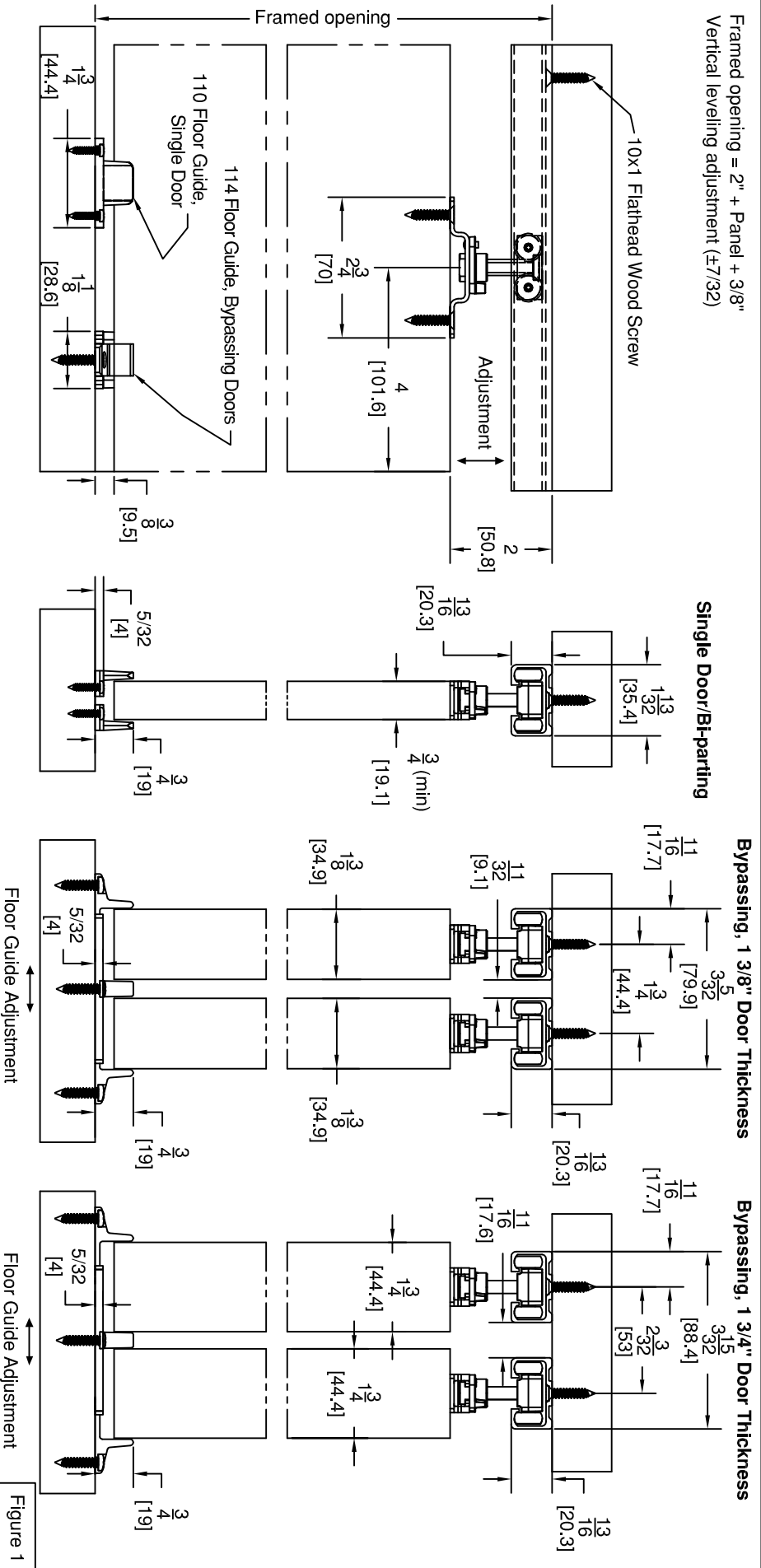


Assembly Instructions Top Line Grant® 75E - up to 75 lbs/panel (34 kg/panel) for sliding / bypassing applications

Technik für Möbel



Framed opening = 2" + Panel + 3/8"
Vertical leveling adjustment (±7/32)



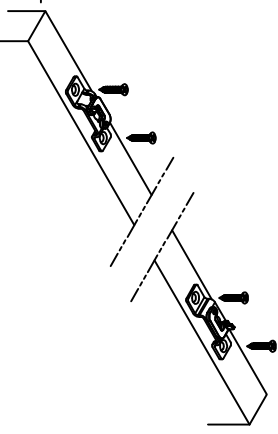
Note:

- For use only in framed installations, **do not use in an open ended application.**
- For bi-parting doors use an additional set of hardware.
- For bypassing doors mount parallel tracks.
- These instructions assume a properly framed opening with a carefully leveled header.
- It is recommended to pre-drill all screws.

1 Top Plate

Mount top plates to the top of the door(s) using #10 x 1" [25.4] flat head screws, as shown in Figure 1 (and illustration to the right).

The opening in the top plate MUST face opposite directions, towards the edge of the door.



2 Track

- Insert carriers into the track
- Mount track using #10 x 1" [25.4] flat head screws (every other mounting hole)
- For by-pass application, space tracks per Figure 1 for door thickness

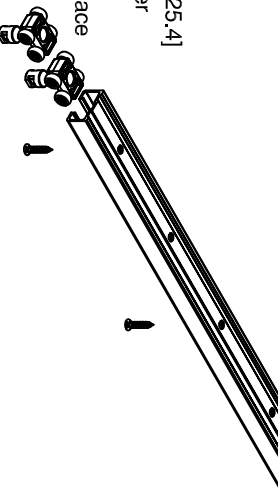


Figure 1

Assembly Instructions

Top Line Grant® 75E - up to 75 lbs/panel (34 kg/panel)

for sliding / bypassing applications

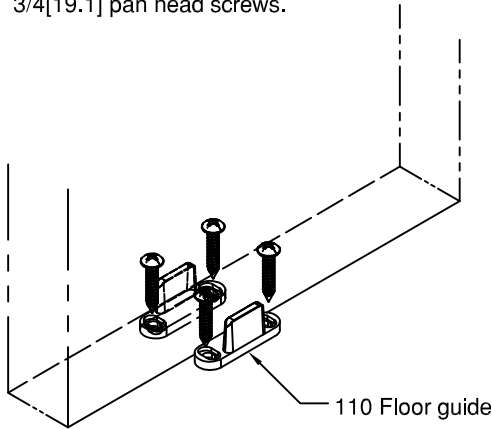
Technik für Möbel



3 Floor Guide

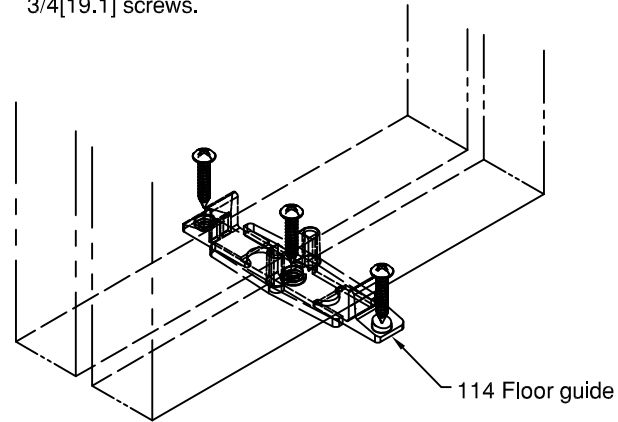
For single door/bi-parting

Mount floor guide using four (4) #8 x 3/4[19.1] pan head screws.



For bypassing doors

Align floor guide center piece vertically with the center of the track and mount with #8 x 3/4[19.1] screws.

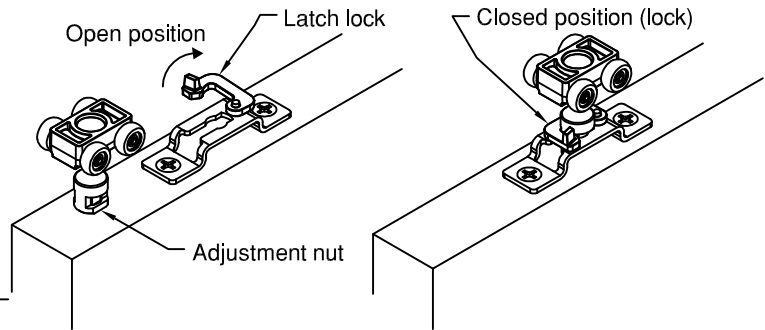


4 Mounting Door(s)

- Bring carriers into position
- Rotate the latch lock into the open position and insert the adjustment nut into the opening of the top plate
- Height adjustment is performed by turning the pendant bolt with a 1/4" wrench.

(Latch lock must be in open position for adjustment)

Important: Lock the adjustment nut into the top plate via the latch lock



Adjust door vertically to confirm 3/8" clearance dimension from floor to bottom of door (see figure 1 on page 1).

! Warning

The Top Line Grant® 75E Series door system ("Door System") is designed to support cabinets, storage walls, partitions, or doors weighing up to 75 lbs (34 kg). The door system must be installed by attaching it to a framing member that is designed to support 75 lbs (34 kg) plus the weight of the Door System ("Total Support Weight"). Improper installation of the Door System, including, but not limited to, the use of unauthorized hardware, or the failure to install the door system by attaching it to a framing member that is designed to support the Total Support Weight, could result in serious injury or death. **DO NOT INSTALL THE DOOR SYSTEM TO A FRAMING MEMBER THAT IS NOT DESIGNED TO SUPPORT AT LEAST THE TOTAL SUPPORT WEIGHT. INSTALL THE DOOR SYSTEM ONLY IN THE MANNER SET FORTH IN THE DOOR SYSTEM'S DOOR HARDWARE INSTALLATION INSTRUCTIONS.**

Toutes les instructions en français et espagnol sont disponibles sur nos sites Internet: www.grantdoorhardware.com ou www.hettichamerica.com

Para ver las traducciones al español o al francés de estas instrucciones, visite nuestro sitio web www.grantdoorhardware.com o www.hettichamerica.com

071-11-0137-00-0, Rev. B [INSTRUC\071-11-0137-00-0]