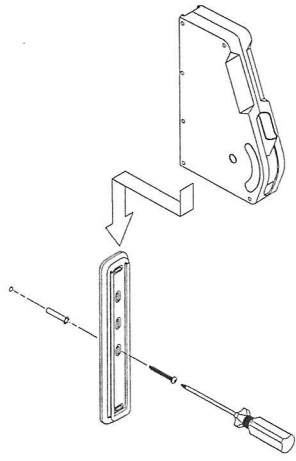
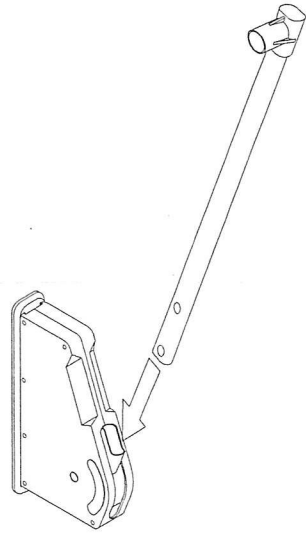


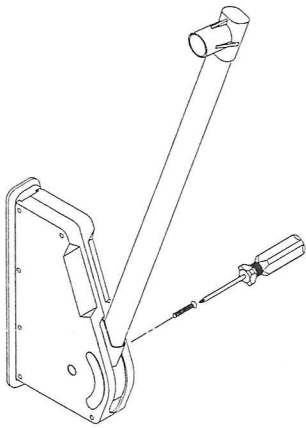
1



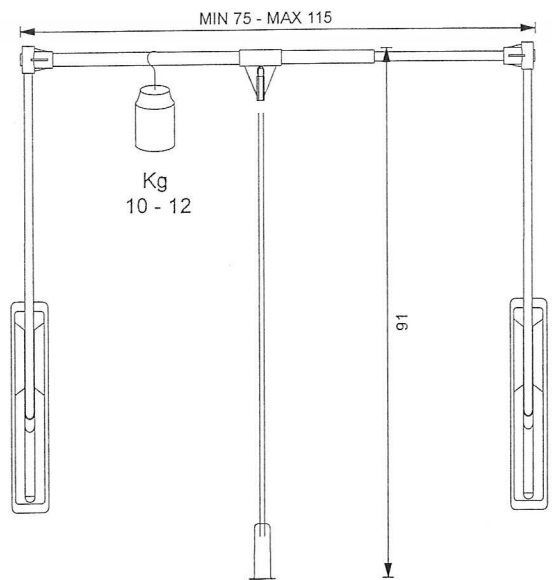
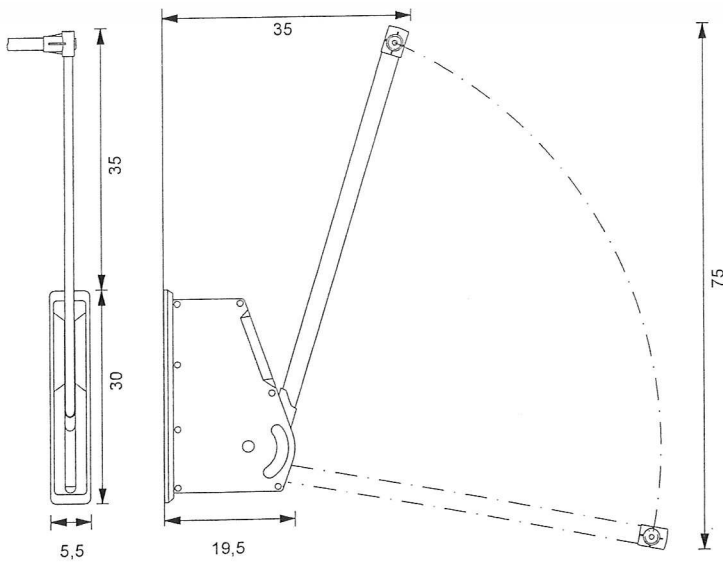
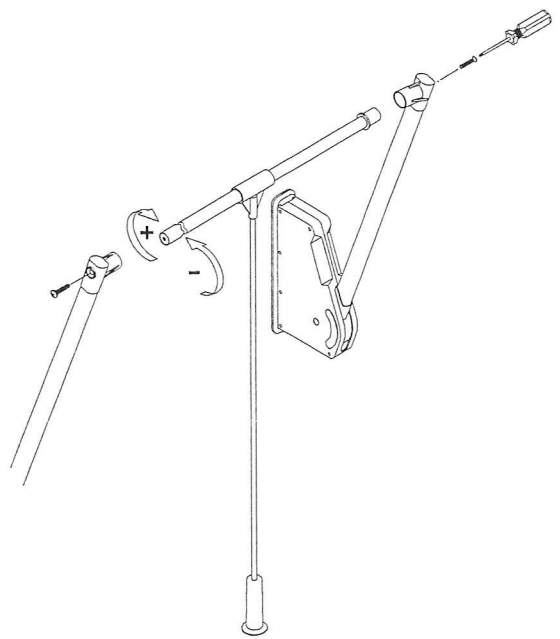
2



3



4



measure are in cm