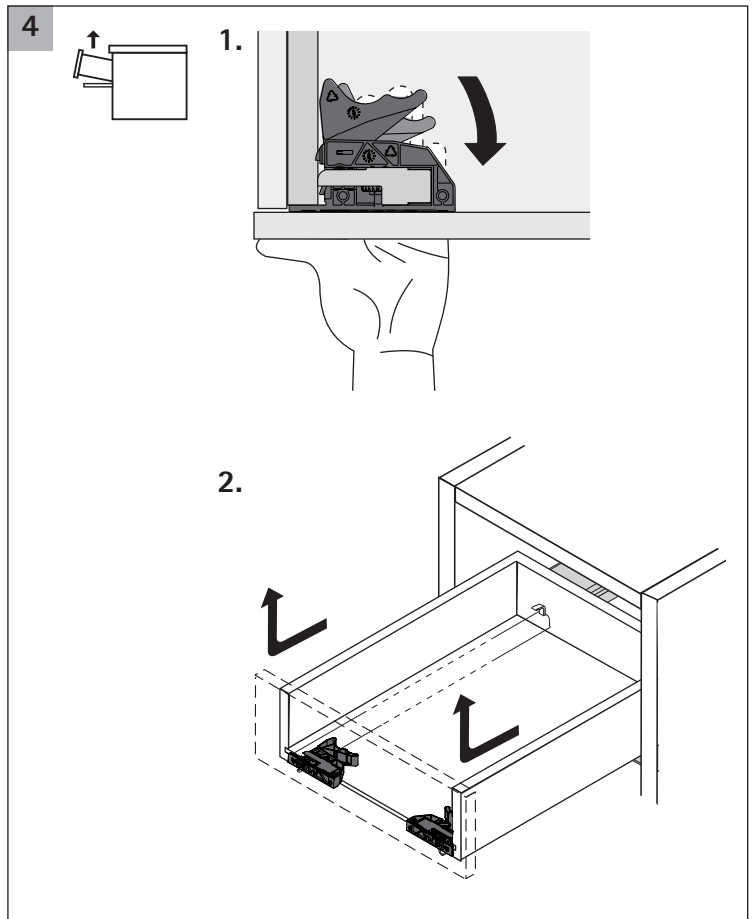
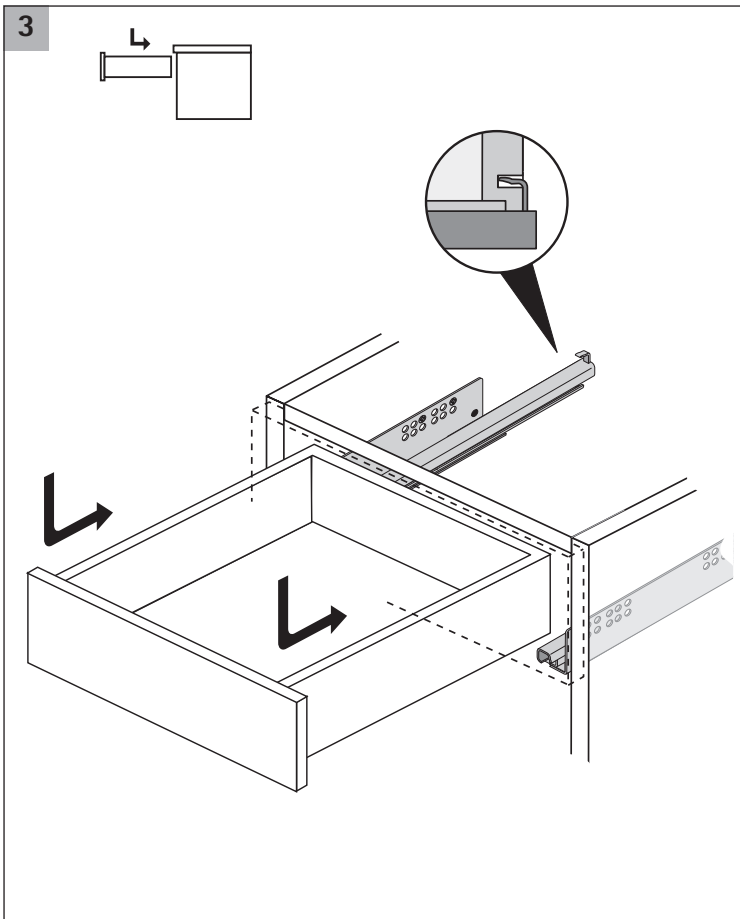
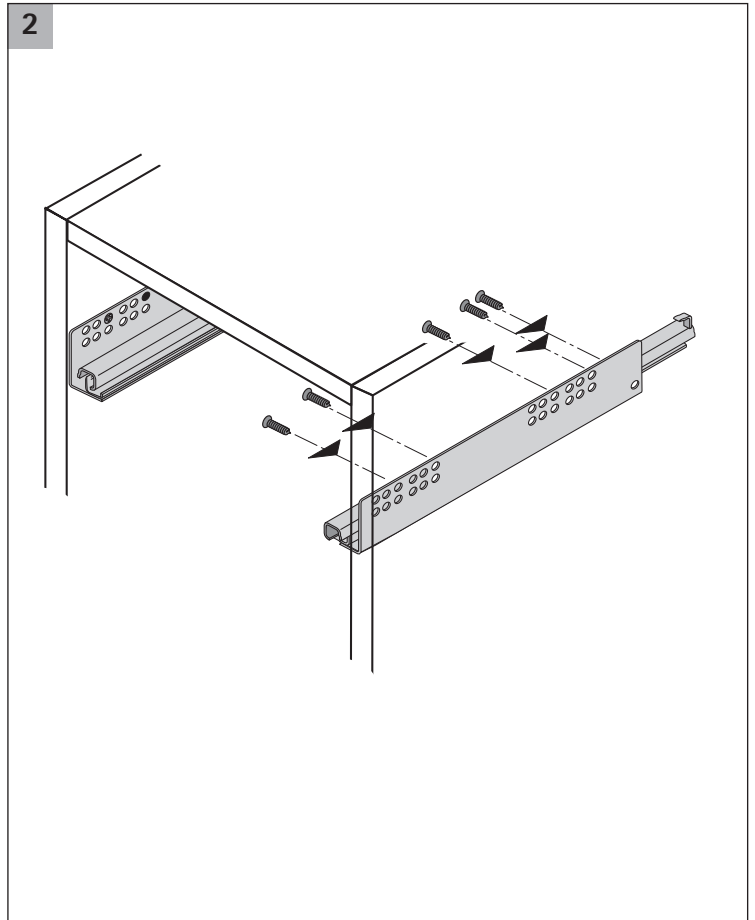
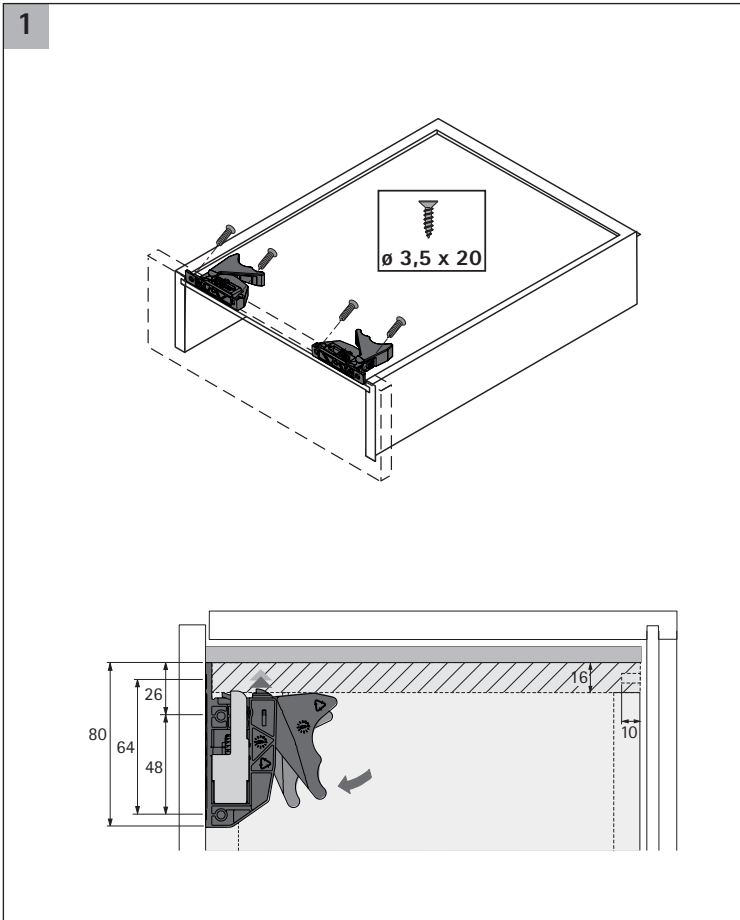


The given dimensions assume a 4.0 mm gap between front panels and cabinet front. Dimensions must allow for the thickness of front-panel buffers. The number of fixing screws depends on the total weight, the type of screws and the type of material used for the cabinet.

	b1	b2	Minimum cabinet depth mm
QV6+ 40SFP/350	192	21	363
QV6+ 40SFP/380	224	19	393
QV6+ 45SFP/400	224	32	413
QV6+ 50SFP/420	224	32	433
QV6+ 50SFP/450	256	32	463
QV6+ 50SFP/480	256	32	493
QV6+ 50SFP/500	288	64	513
QV6+ 50SFP/520	288	64	533
QV6+ 50SFP/550	288	64	563
QV6+ 50SFP/580	352	64	593
QV6+ 50SFP/600	352	64	613



Technische Änderungen vorbehalten.
Keine Gewährleistung für Druckfehler
und Irrtümer.

Subject to technical alterations.
Errors and omissions excepted.

Sous réserve de modifications techni-
ques. Notre responsabilité ne sera
engagée en cas de fautes de frappe
ou d'erreurs.

Salvo modifiche tecniche.
Nessuna garanzia per errori di
stampa ed errori.

Se reserva el derecho a realizar
modificaciones técnicas. No ofrecemos
garantía alguna respecto a eventuales
erratas de impresión u otros errores.

Technische wijzigingen
voorbehouden.
Wij zijn niet verantwoordelijk voor
drukfouten of andere vergissingen.