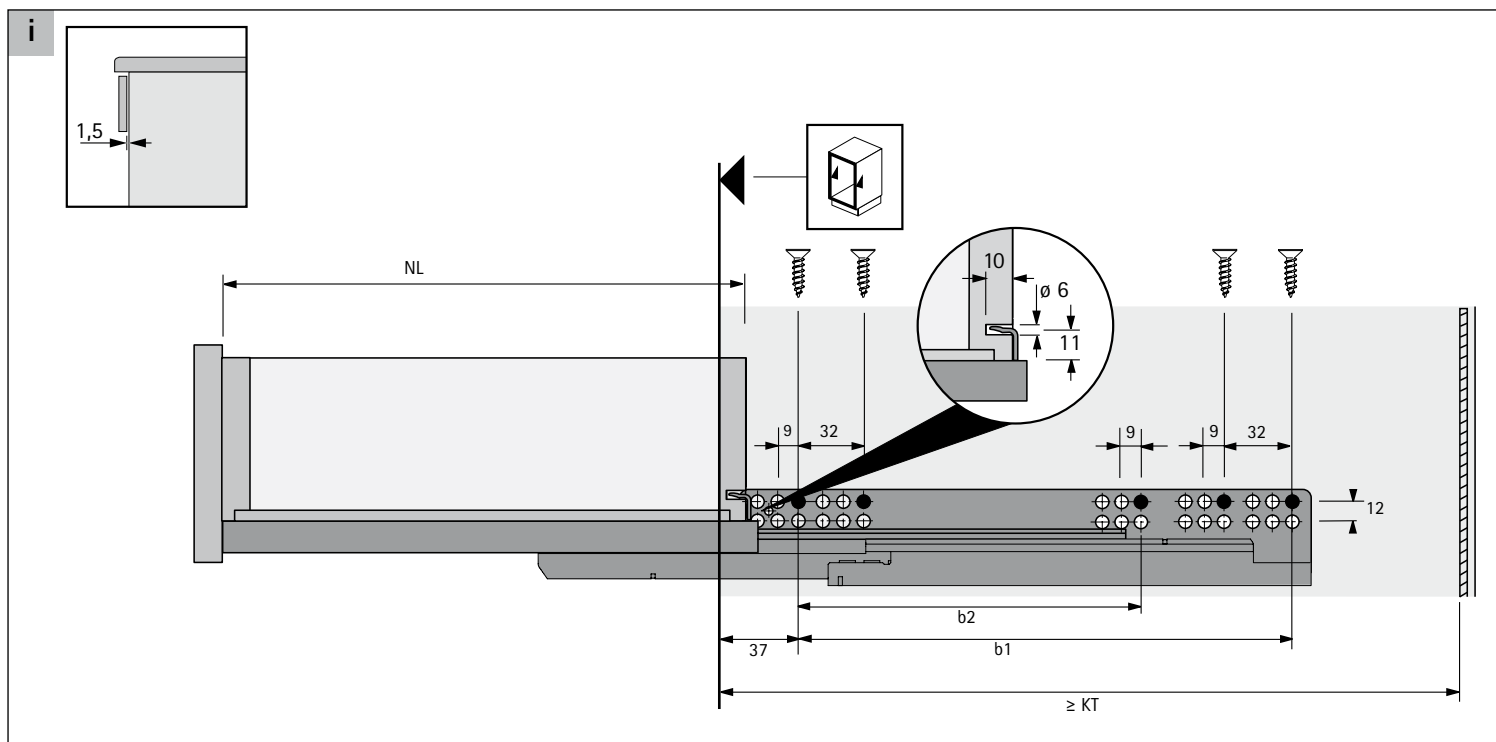
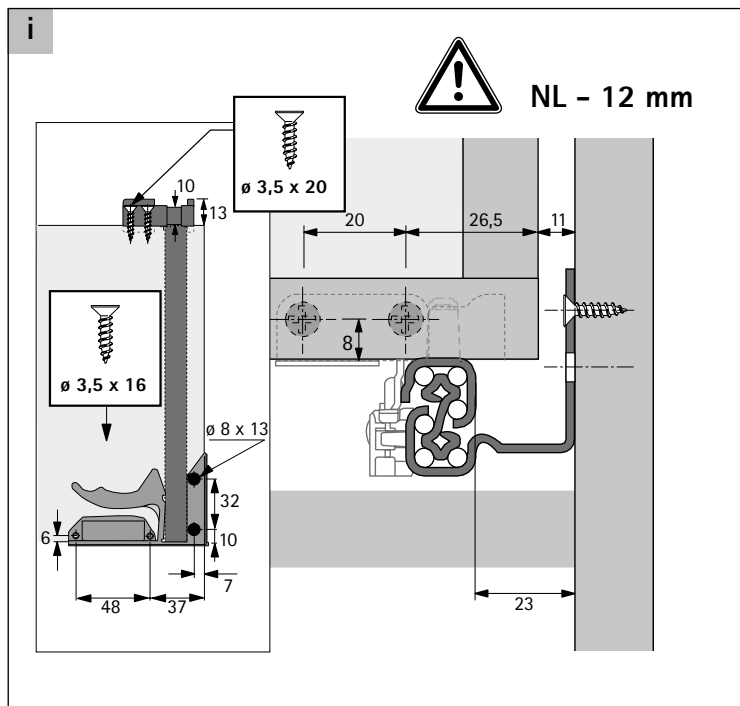
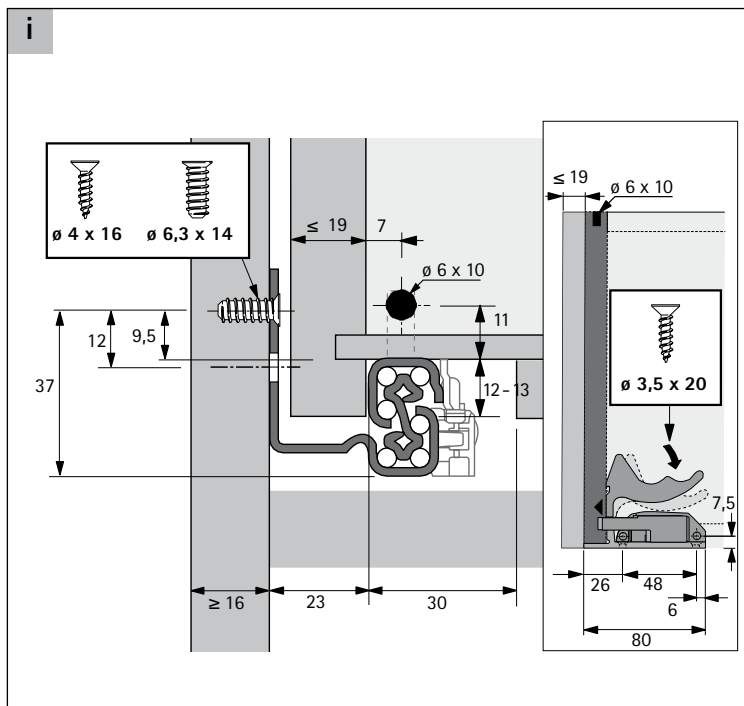


Quadro V6 Silent System

Slide-on, EB 23 (≤ 19 mm)

Technik für Möbel



NL mm	\geq KT mm	b1 mm	b2 mm
300	313	192	-
350	363	192	-
400	413	224	-
450	463	256	-
500	513	288	224

