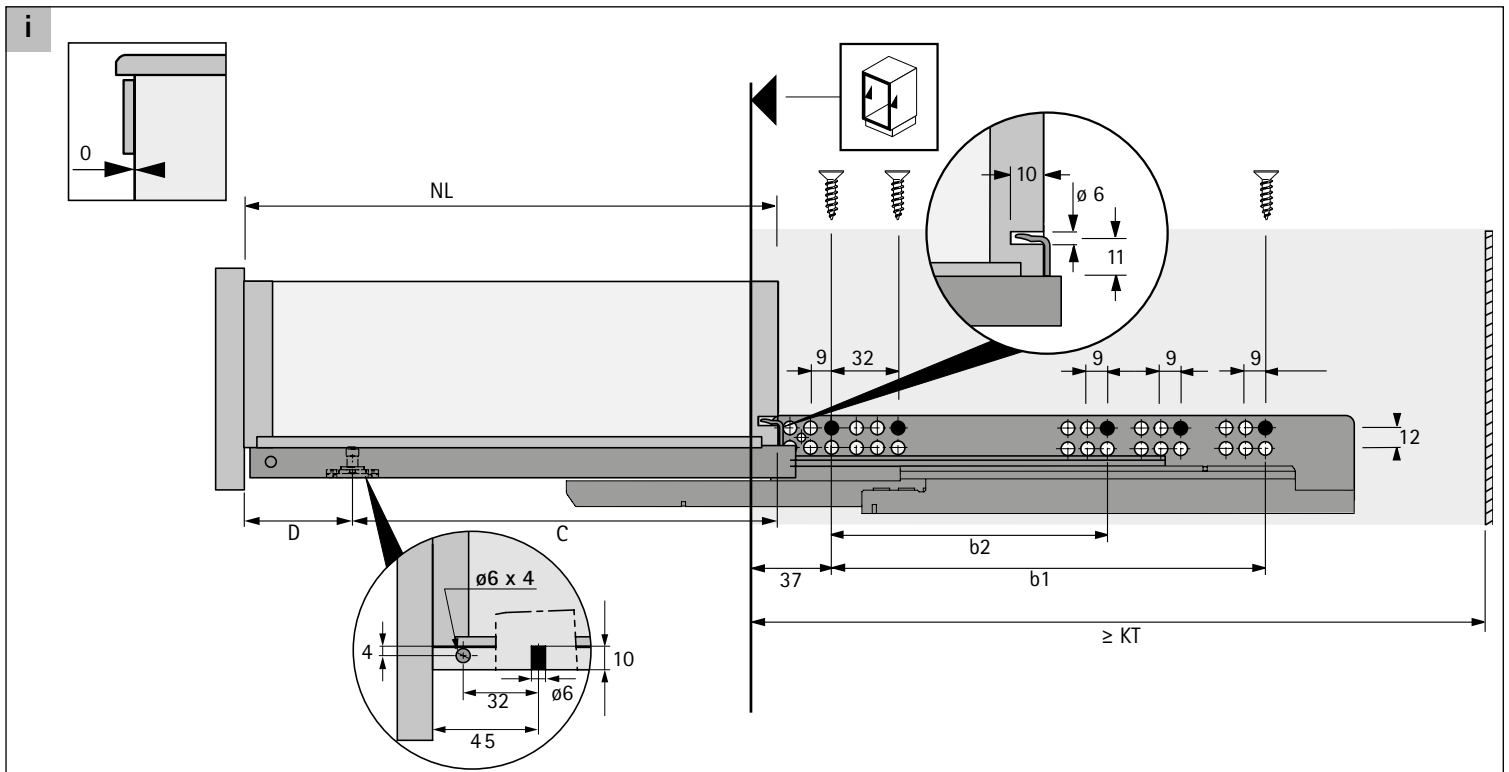
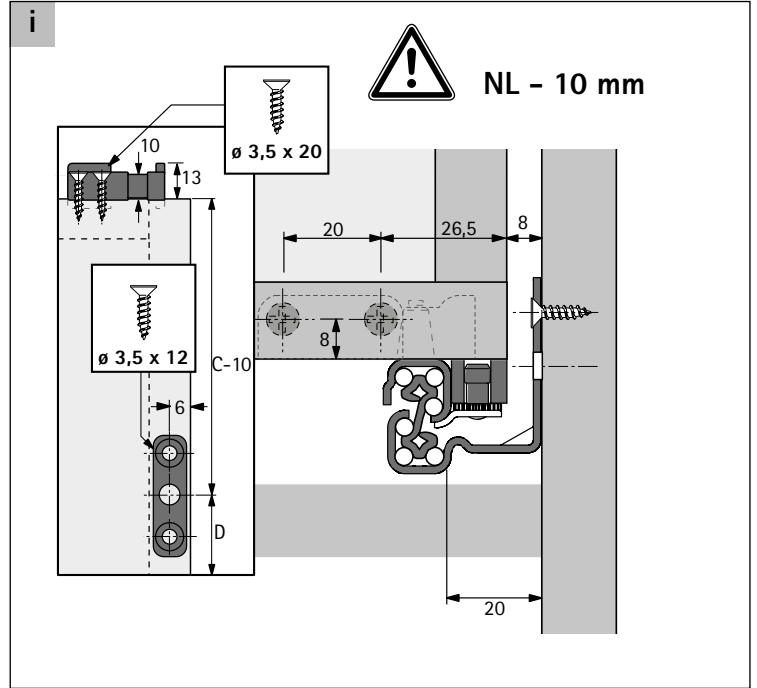
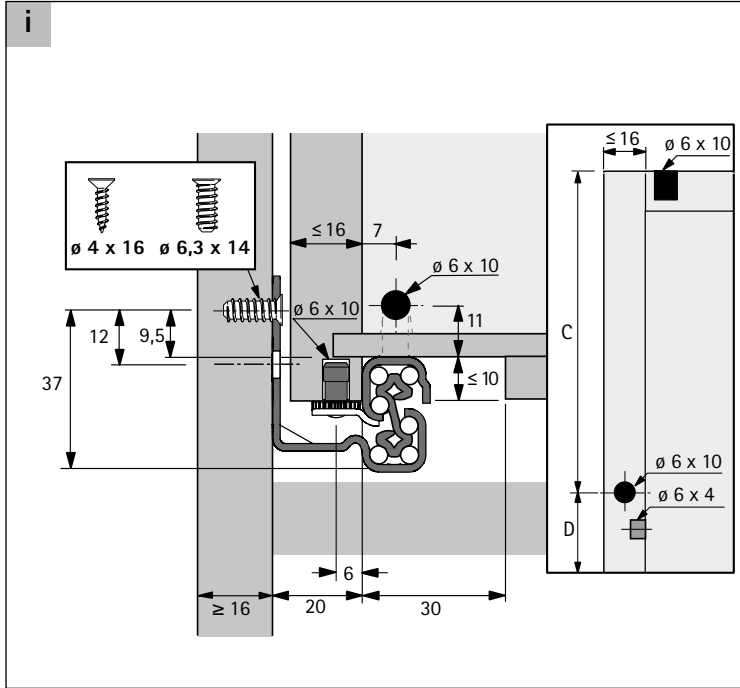


Quadro V6 Stay Close

Plug on, EB 20 (≤ 16 mm)

Technik für Möbel



NL mm	$\geq KT$ mm	b1 mm	b2 mm	C mm	D mm
300	313	192	-	255	45
350	363	192	-	305	45
400	413	224	-	355	45
450	463	256	-	405	45
500	513	288	224	455	45

