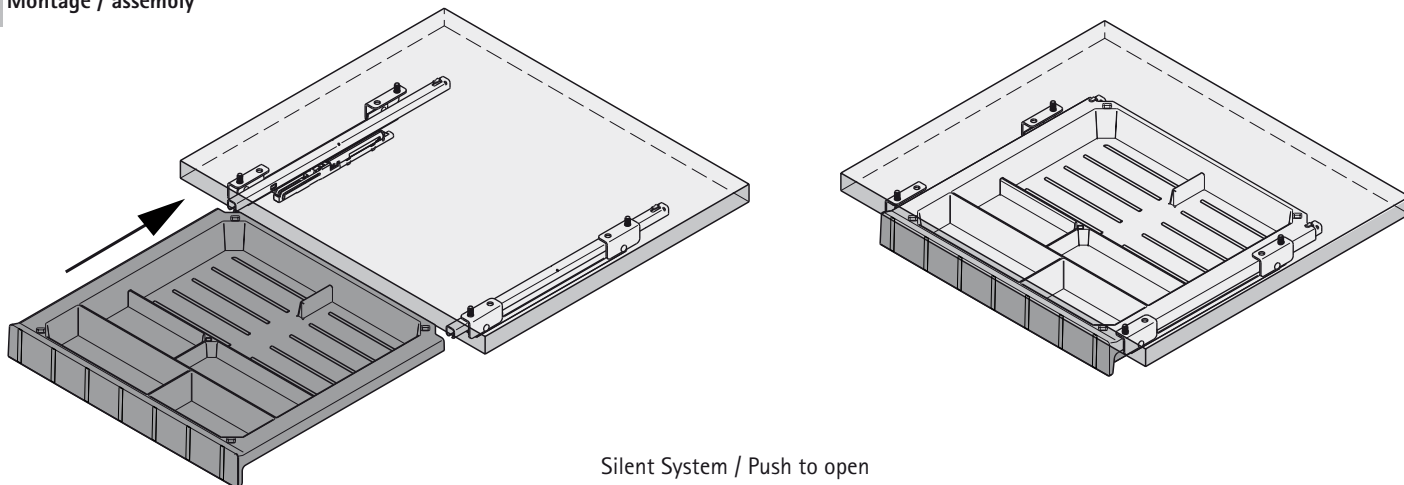


1 Montage / assembly



2 Demontage / disassembly

