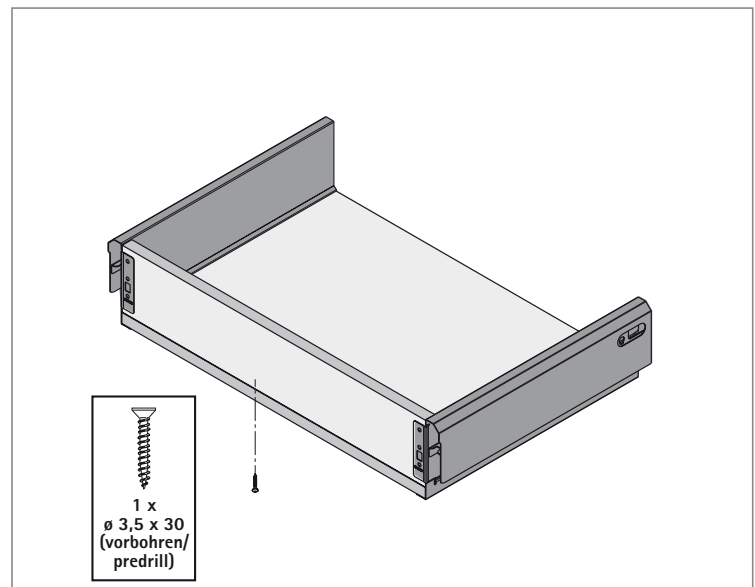
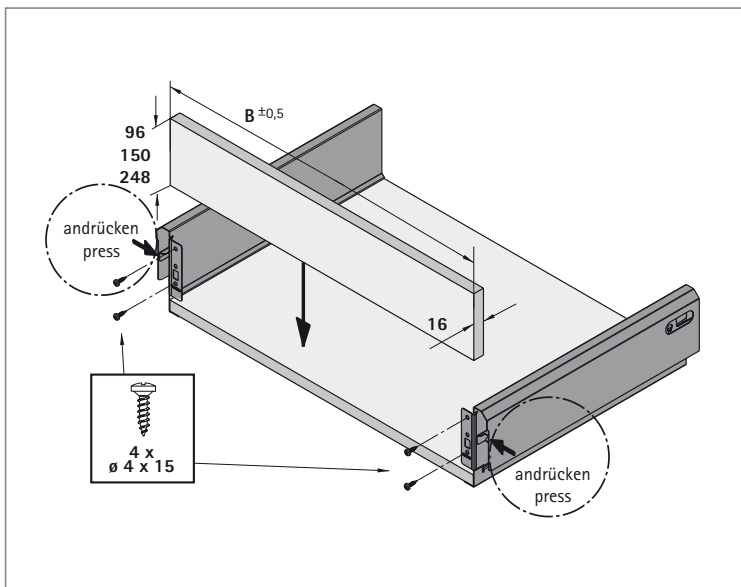
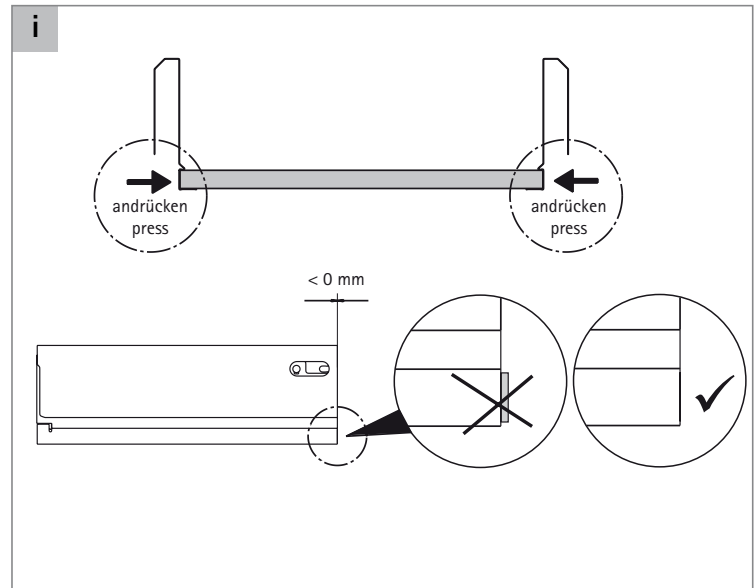
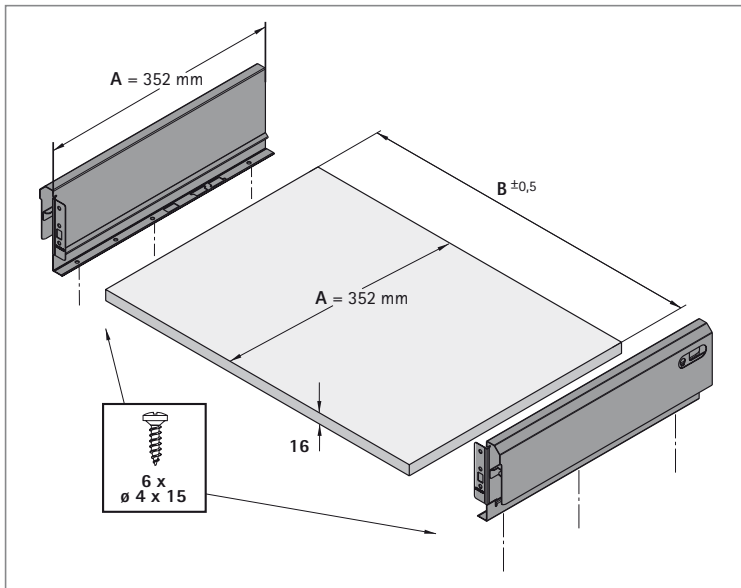


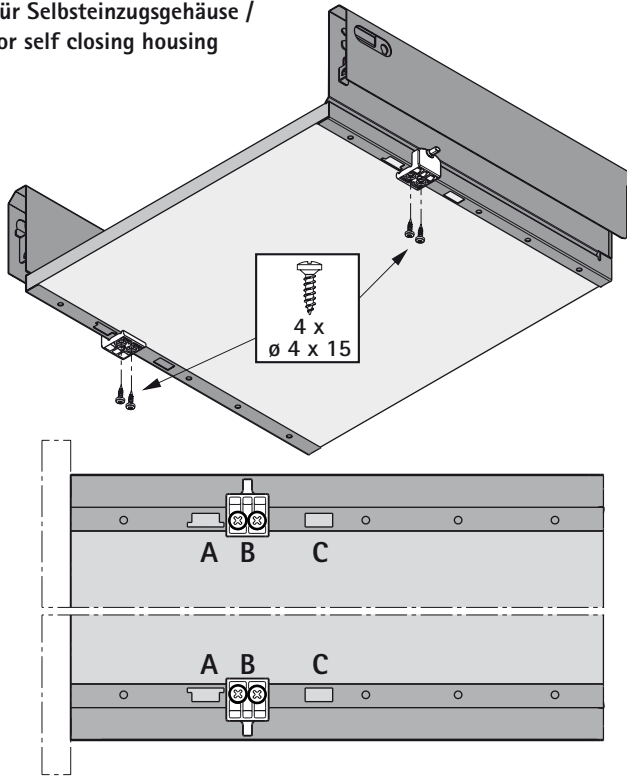
Quadro Duplex	SysTech
X = 6	B = EB - 58,5 mm X 3 = EB - 30 mm

Beispiel / example:

EB (x=6)	X3 ± 0,3	B ± 0,5
562 mm	532 mm	503,5 mm



Für Selbsteinzugsgehäuse /  
for self closing housing



Für Selbsteinzugsgehäuse /  
for self closing housing  
Silent System 40

