

$Y = B - 2 \text{ mm}$
 $Z = B + 4 \text{ mm}$

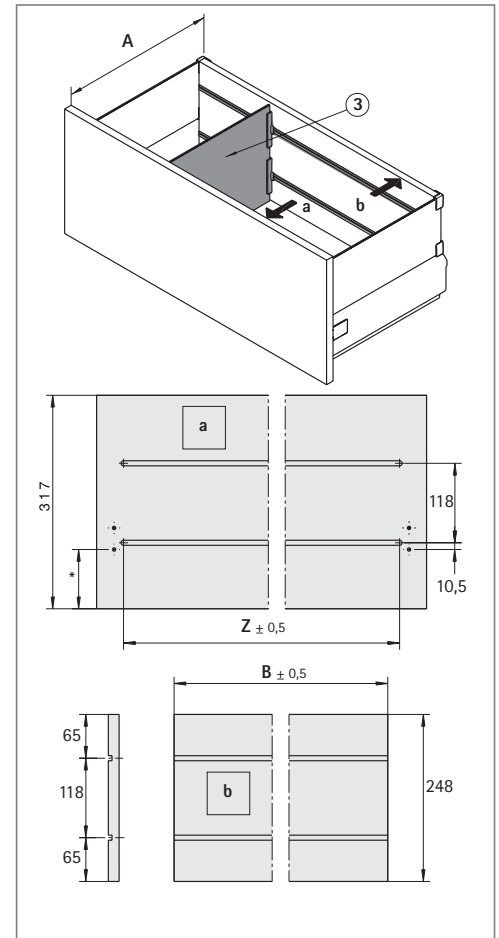
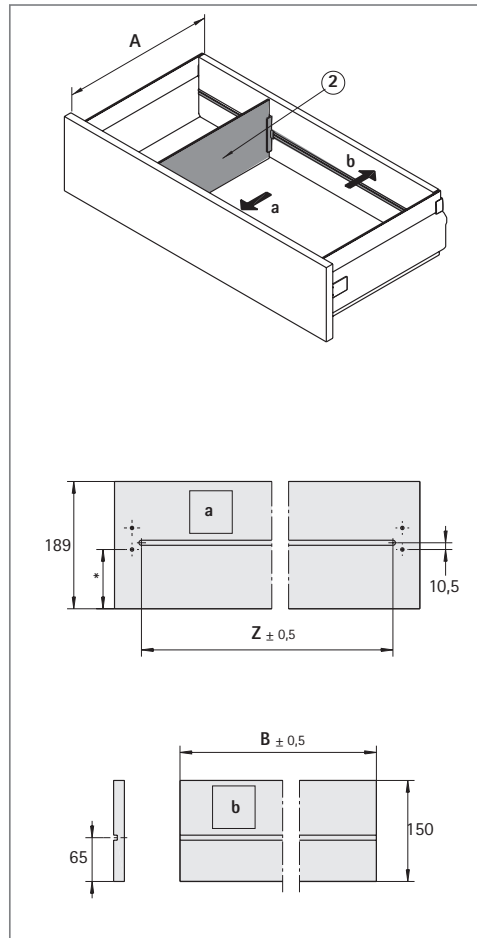
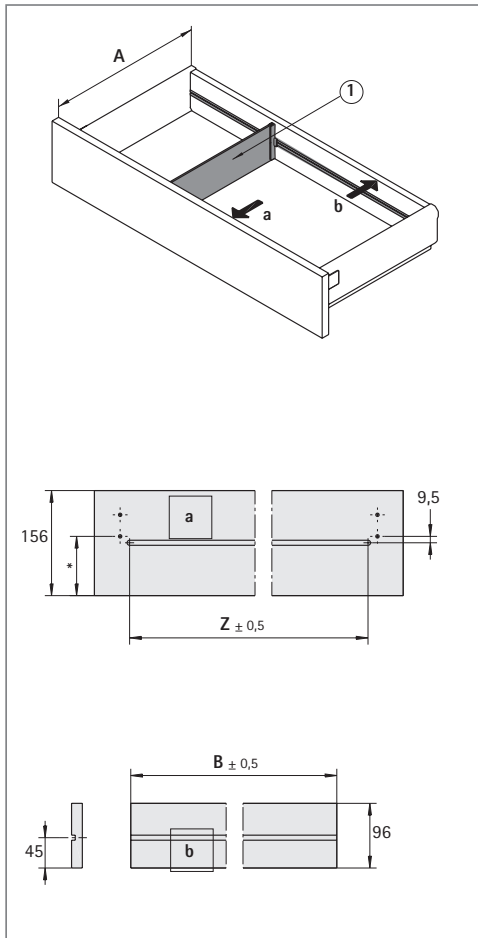
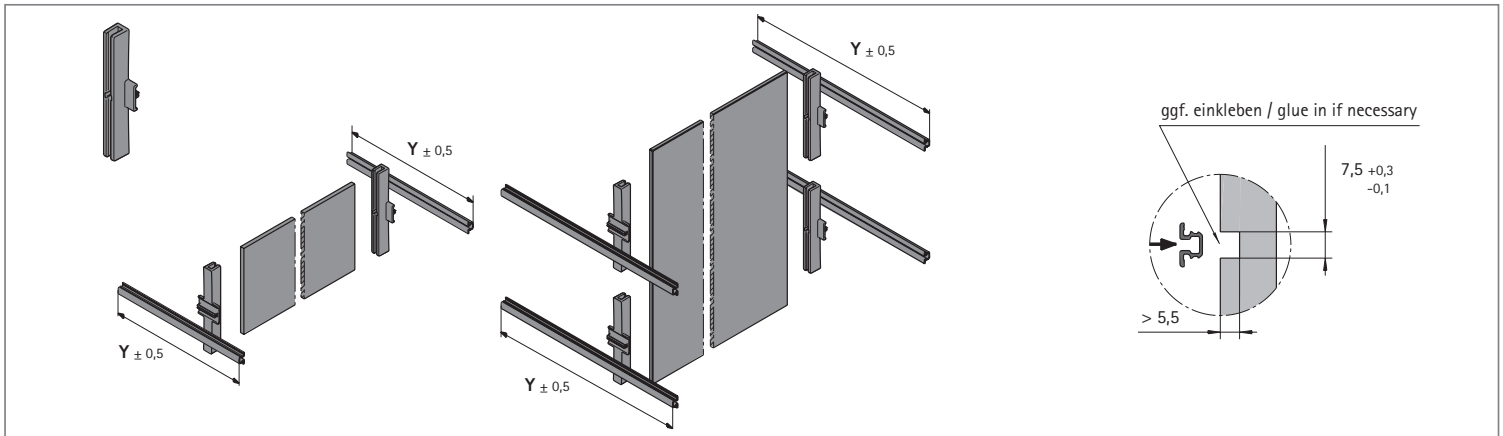
B = Boden- / Rückwandbreite (siehe Montageanleitung SysTech)
B = bottom / rear panel width (see fitting instruction SysTech)

Beispiel / example:

EB (X = 13 mm / X = 22 mm)	Y ± 0,5	Z ± 0,5	B ± 0,5
762 / 780	687,5 mm	693,5 mm	689,5 mm

	Quadro Duplex	SysTech
Beistellcontainer / wide container	X = 6	B = EB - 58,5 mm
Schrankwand / wall-to-wall unit	X = 13	B = EB - 72,5 mm
	X = 22	B = EB - 90,5 mm

Zuschnitte / cutting to size				
Trennwand / cross partition	A = 310	A = 352	A = 410	A = 517
①	287 x 90 x 4	329 x 90 x 4	387 x 90 x 4	494 x 90 x 4
②	287 x 150 x 4	329 x 150 x 4	387 x 150 x 4	494 x 150 x 4
③	287 x 245 x 4	329 x 245 x 4	387 x 245 x 4	494 x 245 x 4



* 88 mm (Standard Schrankwand / standard wall-to-wall unit)
* 84 mm (Standard Beistellcontainer / standard wide container)