

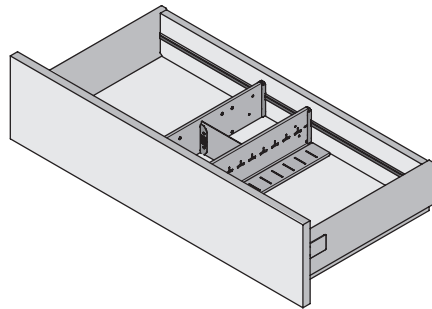
$Y = B - 2 \text{ mm}$
 $Z = B + 4 \text{ mm}$

B = Boden- / Rückwandbreite (siehe Montageanleitung SysTech)
 B = bottem / rear panel width (see fitting instruction SysTech)

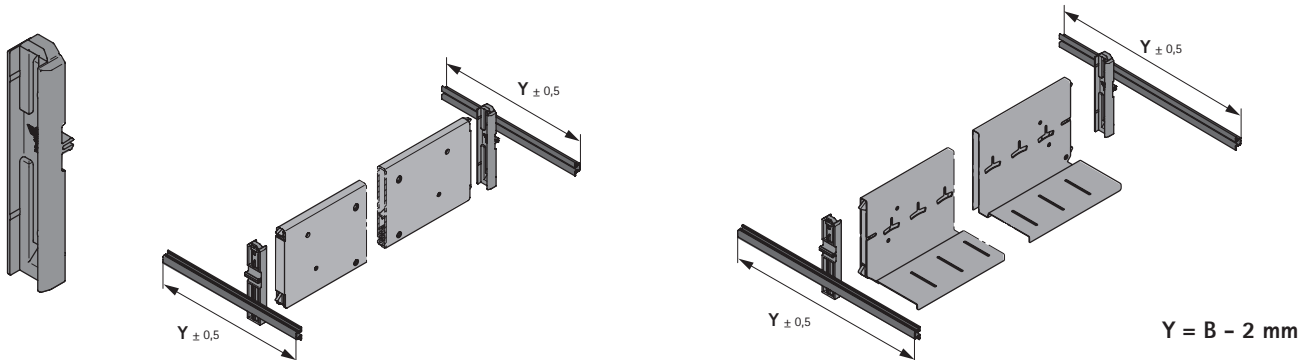
Beispiel / example:

EB (X = 13 mm / X = 22 mm) 762 / 780	Y ± 0,5 687,5 mm	Z ± 0,5 693,5 mm	B ± 0,5 689,5 mm
---	---------------------	---------------------	---------------------

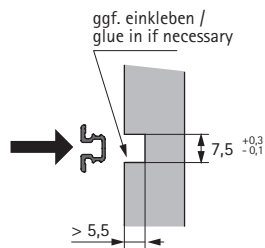
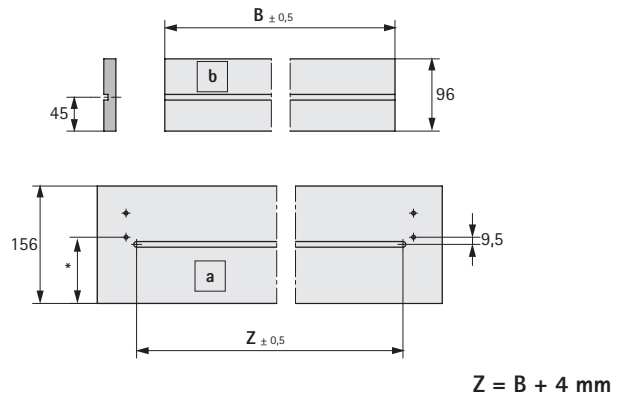
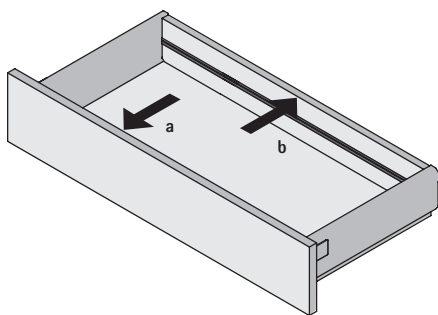
Beistellcontainer / wide container	Quadro Duplex X = 6	SysTech B = EB - 58,5 mm
Schrankwand / wall-to-wall unit	X = 13	B = EB - 72,5 mm
	X = 22	B = EB - 90,5 mm



1



2



* 88 mm (Standard Schrankwand / standard wall-to-wall unit)
 * 84 mm (Standard Beistellcontainer / standard wide container)